

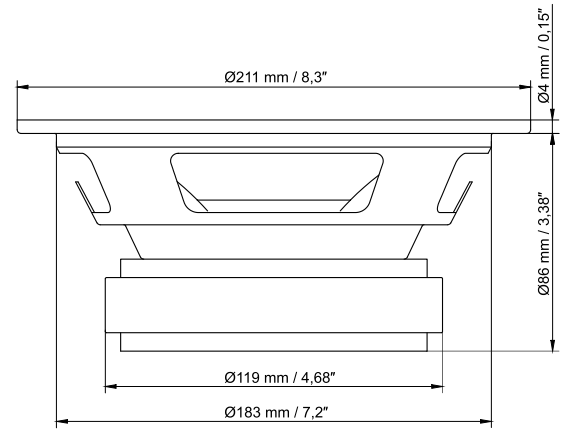
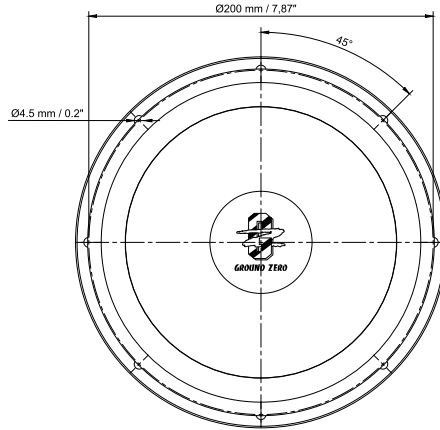
TECHNICAL DATA

GZCK 200XSPL-II

PRODUCT SERIES
COMPETITION

PRODUCT TYPE
High-Power Kickwoofer

PRODUCT NC
32328044



SPECIFICATIONS

Model	GZCK 200XSPL-II
Nominal impedance	4 Ω
Frequency response	50 Hz – 6 kHz
Efficiency (SPL)	93 dB
Voicecoil	38 mm / 1.5"
Power handling (RMS)	150 W
Power handling (max.)	300 W
Outer diameter	211 mm / 8"
Mounting cutout	183 mm / 7.2"
Mounting depth	86 mm / 3.39"

PARAMETERS

Resonance frequency	54 Hz
Re	3.3 Ω
Qms	9.61
Qes	0.39
Qts	0.38
Vas	31,2 L / 1.10 cu.ft.
Mms	18.9 g
BL	7.4 Tm
Rms	1.57 Kg/s
Cms	0.45 mm/N
LE	0.3 mH

FREQUENCY RESPONSE / IMPEDANCE

