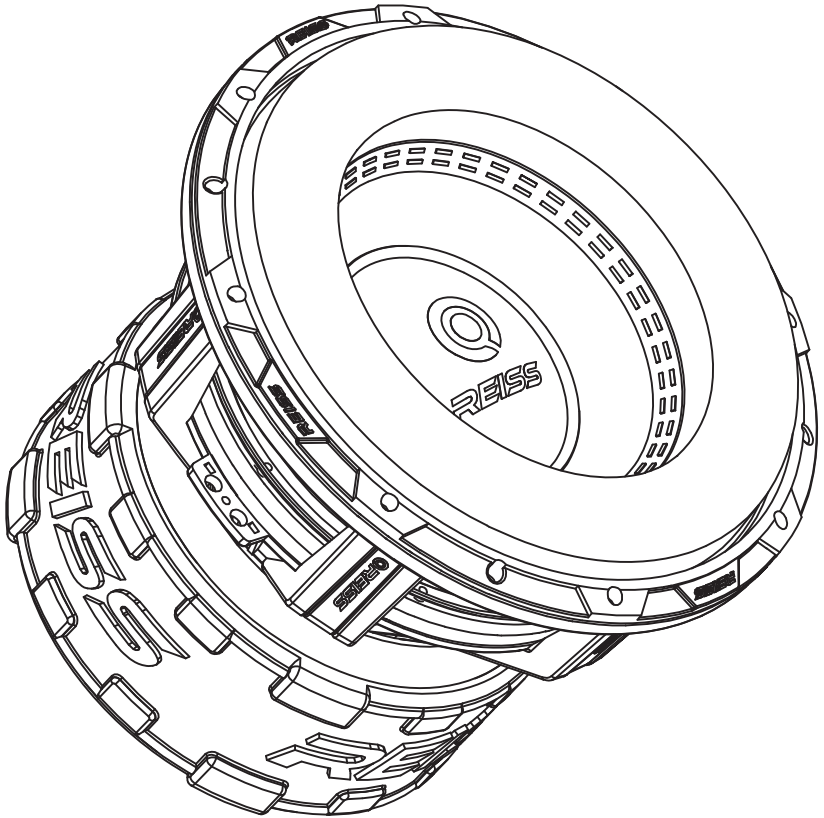




OWNER'S MANUAL

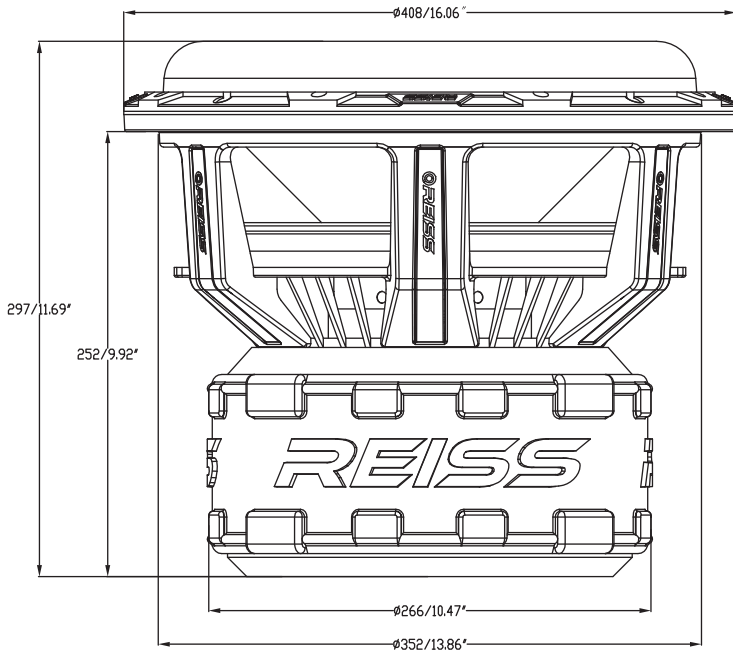
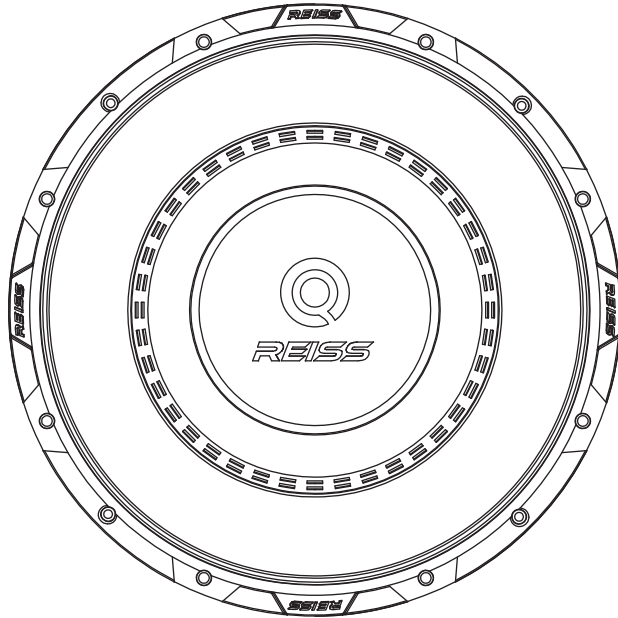
RS-VL15.01

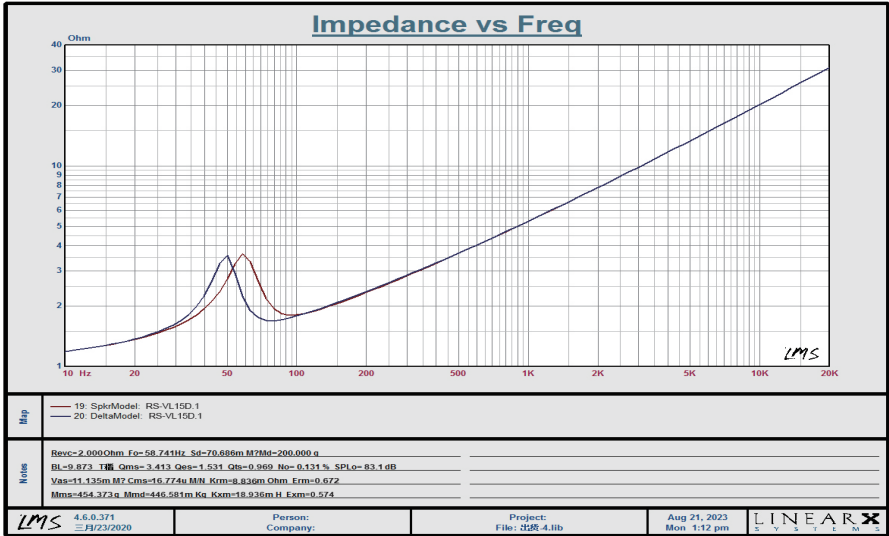
15" COMPETITION
HIGH POWER SUBWOOFER



Turkish Engineering Since 1985

RS-VL15.01





SPECIFICATIONS

Nominal Diameter / 15" / 408 mm

Nominal Impedance / 1+1 OHMS

RMS Power Handling / 3000 Watts

MAX Power Handling / 6000 Watts

Sensitivity (1w/1m) / 83.5 dB

Frequency Response / 38Hz - 500Hz

Recommended Lo Pass Crossover / 70 Hz

MOTOR

Voice Coil Diameter / 4" / 99.2 mm

Voice Coil Former Material / Black Aluminum

Winding Material / CCAR

Cone Material / Glass Fiber

Dust Cap Material / Glass Fiber

Surround Material / Foam

Basket Material / Aluminum

Basket Color | Finish / Black wrinkle Coating with Machined Aluminum

Magnet Material / Ferrite

Magnet Weight / 500 Oz

THIELE & SMALL PARAMETERS

Equivalent Volume /	Vas	11.13 L / 0.393 ft ³
Free Air Resonance /	Fs	58.7 Hz
Mechanical Factor /	Qms	3.41
Electrical Factor /	Qes	1.531
Total Factor /	Qts	0.969
Moving Mass /	Mms	454.37 g
Compliance /	Cms	0.016 mm/N
BI Factor /	BI	11.1
Voice Coil Inductance /	Le	0.574 mH
Diaphragm Area /	Sd	706.86 cm ²
DC Resistance /	Re	1.0+1.0 OHM

MEASUREMENT

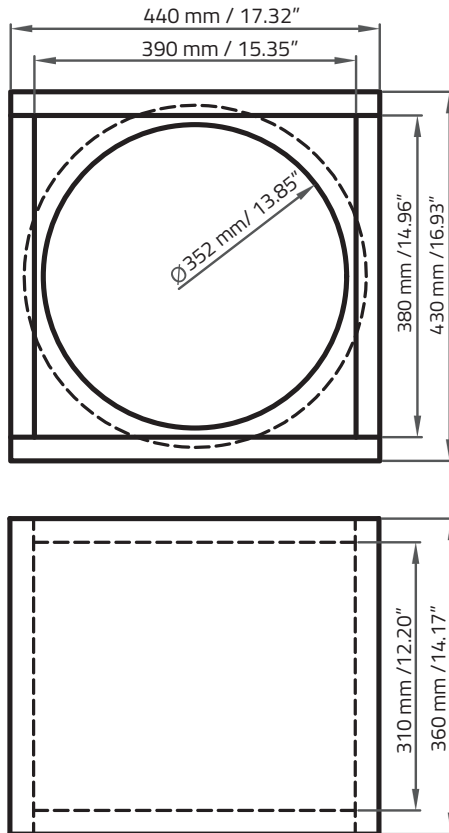
Overall Diameter /	16.06" / 408 mm
Overall Depth /	11.69" / 297 mm
Front Mount Baffle Cutout. /	13.86" / 352 mm
Mounting Depth /	9.92" / 252 mm
Motor Diameter /	9.84" / 250 mm

RECOMMENDED ENCLOSURES

Sealed Internal Volume /	45L / 1.56 ft ³
Sealed Box Output Response /	47.8 Hz
Ported Internal Volume /	75L / 2.65 ft ³
Port Size *Square (WxHxLong) /	3.14" x 15.74" x 31.10" / 80 mm x 400 mm x 790 mm
Port Tuning Frequency /	36 Hz
Ported Box Output Response /	29 Hz

RECOMMENDED BOX DIMENSION

SINGLE SUBWOOFER SEALED BOX

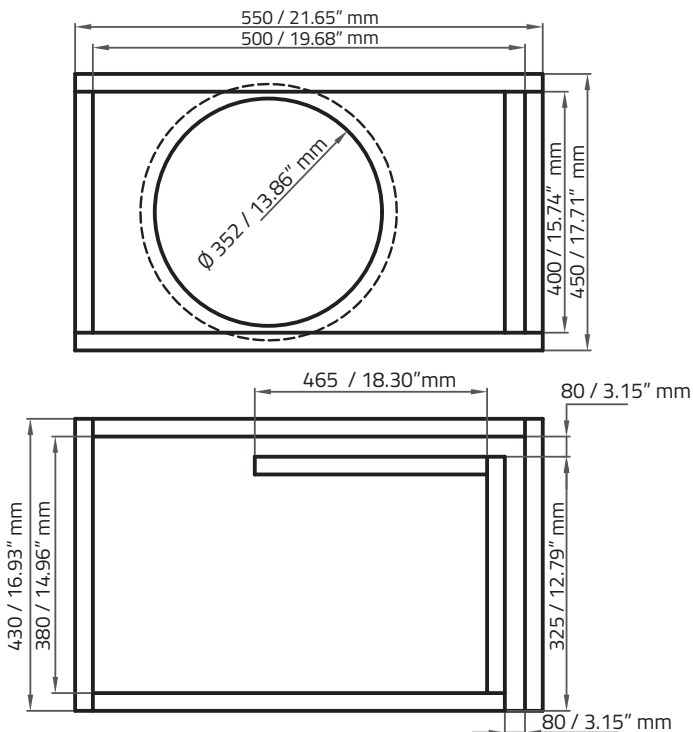


PARAMETERS

Box External Dimensions:
(WxHxD): 17.32"x 16.93"x 14.1" /
440 mm x 430mm x 360mm

Material Thickness: 0.98" / 25mm

Net Internal Volume: 1.59 ft³ / 45 L

SINGLE SUBWOOFER PORTED BOX**PARAMETERS****Box External Dimensions:**

(WxHxD): 21.65" x 17.71" x 16.93" /
550 mm x 450 mm x 430 mm

Material Thickness: 0.98" / 25mm

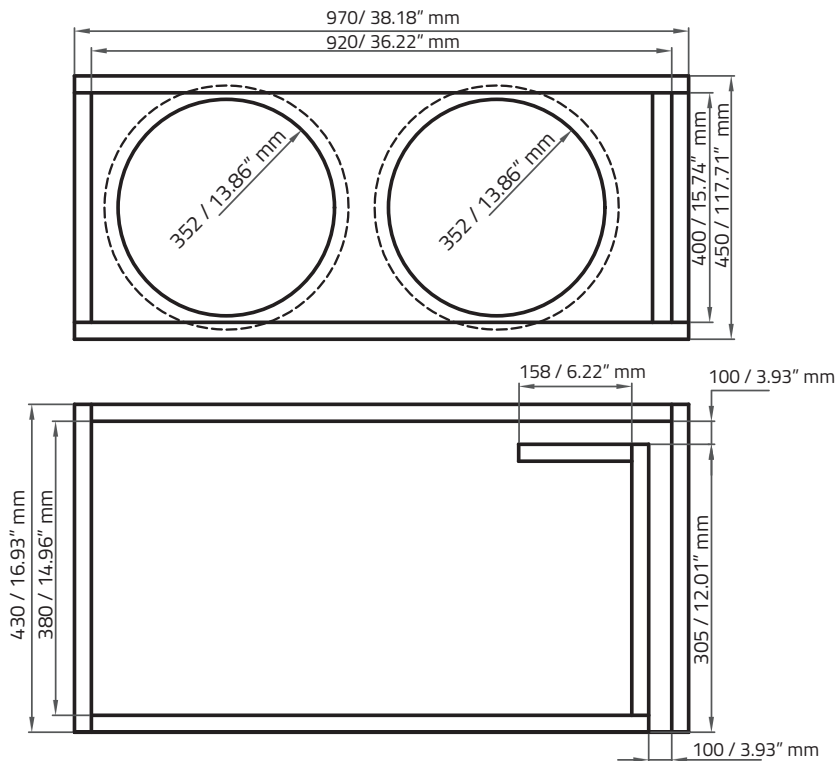
Net Internal Volume: 2.65 ft³ / 75 L

Tuning Frequency: 36 Hz

Port Area: 49.58 inch² / 320 CM²

Port Intel: 3.15" x 15.74"

Port Length: 31.10" / 790 mm

DOUBLE SUBWOOFER PORTED BOX**PARAMETERS**

Box External Dimensions:

(WxHxD): 38.18" x 17.71" x 16.93" /
970 mm x 450 mm x 430 mm

Material Thickness: 0.98" / 25mm

Net Internal Volume: 4.9 ft3 / 140L

Tuning Frequency: 36 Hz

Port Area: 61.85 inch² / 400 CM²

Port Intel: 3.93" x 15.74"

Port Length: 18.22" / 463 mm



**FOR MORE INFORMATION
PLEASE VISIT
www.reissaudio.com.tr**

Turkish Engineering Since 1985

REİS ELEKTRONİK SANAYİ VE TİCARET A.Ş
İstoç Toptancılar Sitesi 15. Ada No:1-3-5-7
Mahmutbey Bağcılar / İstanbul - TÜRKİYE

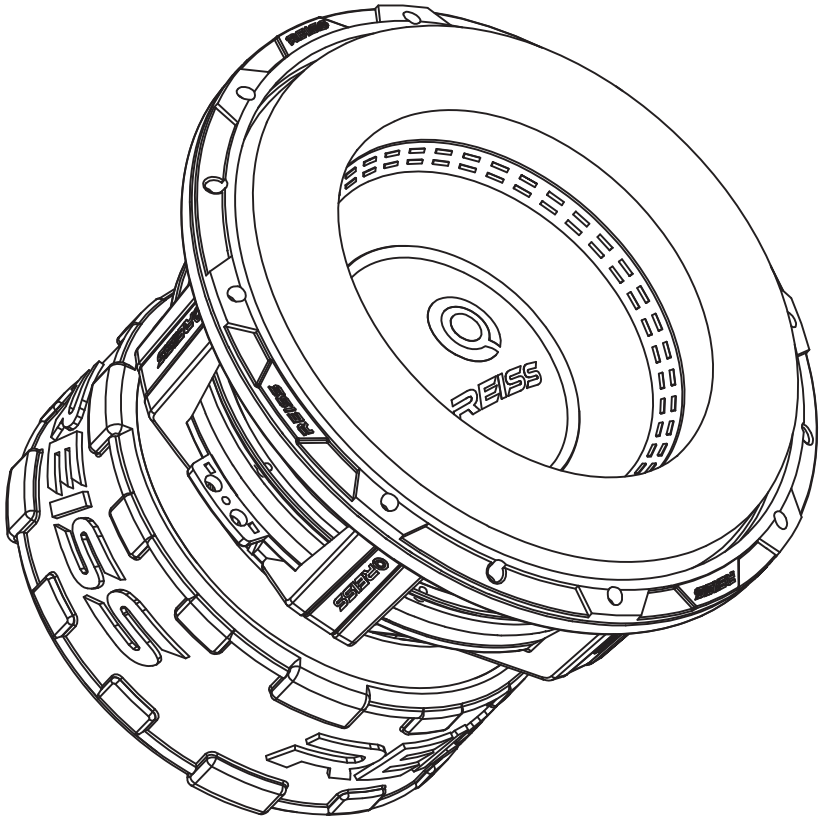


OWNER'S MANUAL

RS-VL15.02

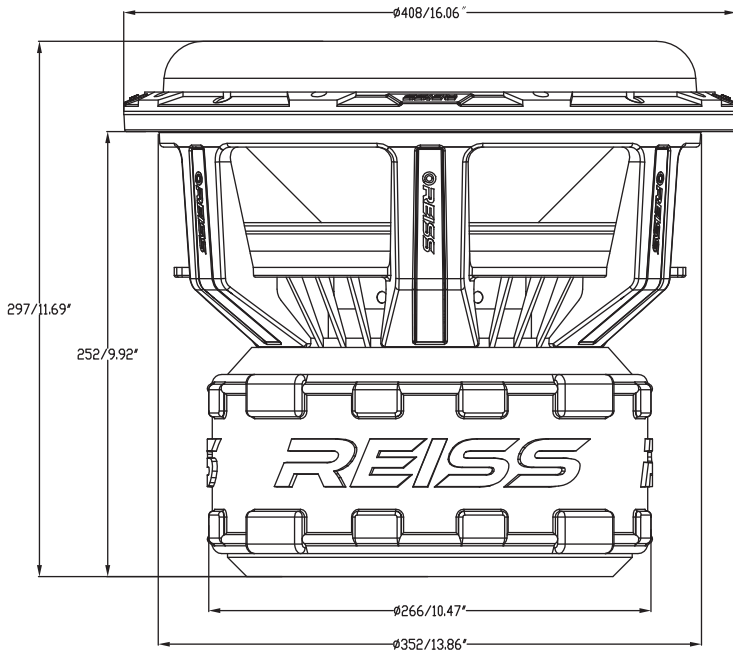
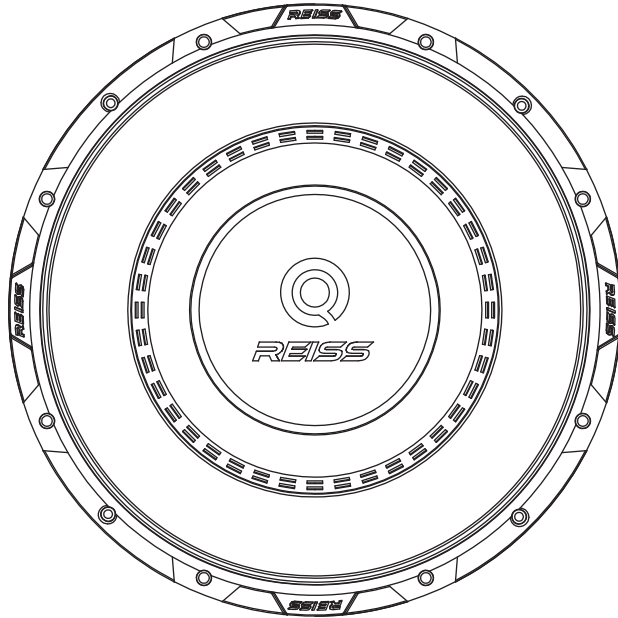
15" COMPETITION
HIGH POWER SUBWOOFER

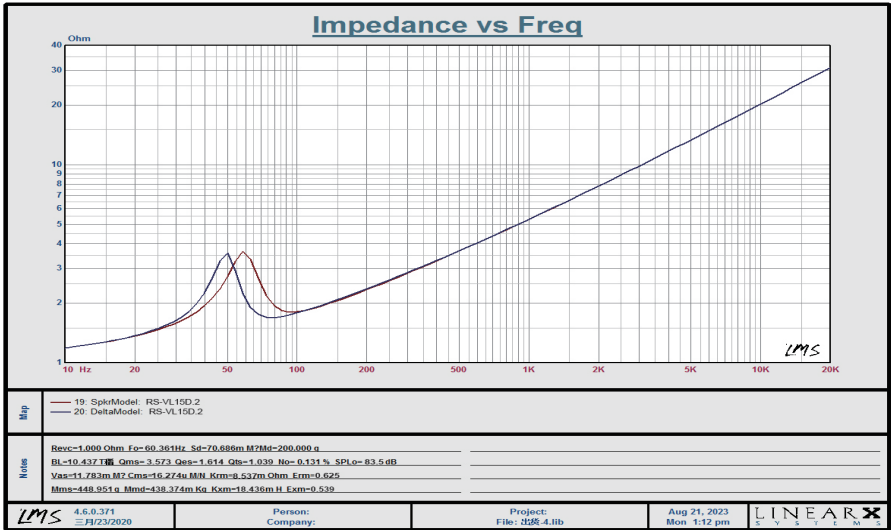
2+2 Ω



Turkish Engineering Since 1985

RS-VL15.D2





SPECIFICATIONS

Nominal Diameter / 15" / 408 mm

Nominal Impedance / 2+2 OHMS

RMS Power Handling / 3000 Watts

MAX Power Handling / 6000 Watts

Sensitivity (1w/1m) / 83.5 dB

Frequency Response / 38Hz - 500Hz

Recommended Lo Pass Crossover / 70 Hz

MOTOR

Voice Coil Diameter / 4" / 99.2 mm

Voice Coil Former Material / Black Aluminum

Winding Material / CCAR

Cone Material / Glass Fiber

Dust Cap Material / Glass Fiber

Surround Material / Foam

Basket Material / Aluminum

Basket Color | Finish / Black wrinkle Coating with Machined Aluminum

Magnet Material / Ferrite

Magnet Weight / 500 Oz



THIELE & SMALL PARAMETERS

Equivalent Volume /	Vas	11.78 L / 0.416 ft ³
Free Air Resonance /	Fs	60.3 Hz
Mechanical Factor /	Qms	3.57
Electrical Factor /	Qes	1.614
Total Factor /	Qts	1.039
Moving Mass /	Mms	448.95 g
Compliance /	Cms	0.016 mm/N
BI Factor /	BI	11.7
Voice Coil Inductance /	Le	0.539 mH
Diaphragm Area /	Sd	706.86 cm ²
DC Resistance /	Re	1.8+1.8 OHM

MEASUREMENT

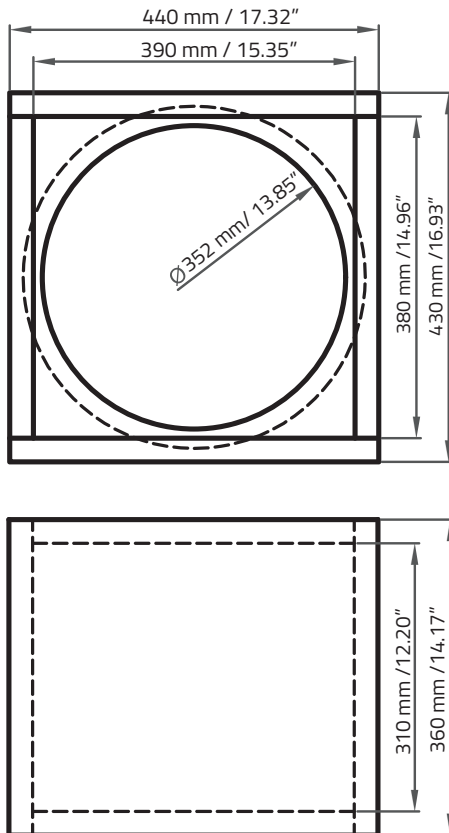
Overall Diameter /	16.06" / 408 mm
Overall Depth /	11.69" / 297 mm
Front Mount Baffle Cutout. /	13.86" / 352 mm
Mounting Depth /	9.92" / 252 mm
Motor Diameter /	9.84" / 250 mm

RECOMMENDED ENCLOSURES

Sealed Internal Volume /	45L / 1.56 ft ³
Sealed Box Output Response /	47.8 Hz
Ported Internal Volume /	75L / 2.65 ft ³
Port Size *Square (WxHxLong) /	3.14" x 15.74" x 31.10" / 80 mm x 400 mm x 790 mm
Port Tuning Frequency /	36 Hz
Ported Box Output Response /	29 Hz

RECOMMENDED BOX DIMENSION

SINGLE SUBWOOFER SEALED BOX

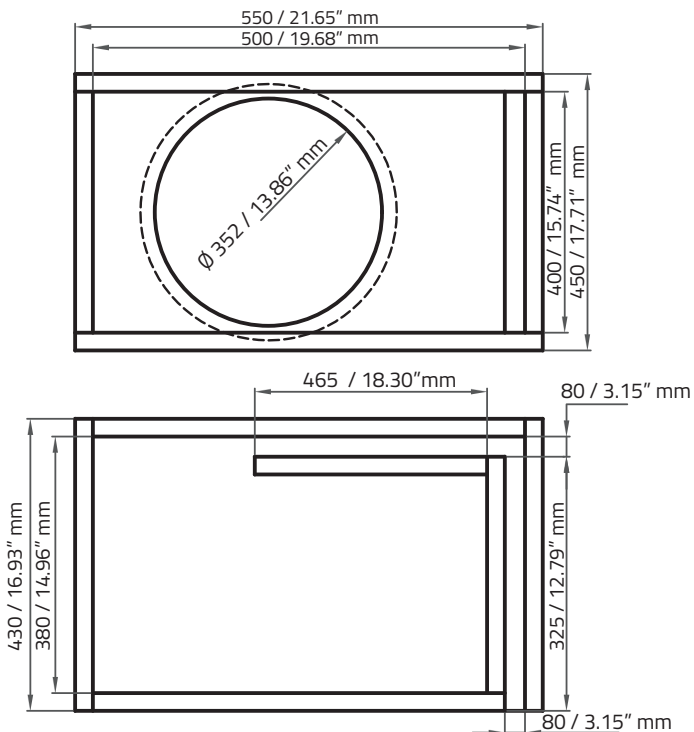


PARAMETERS

Box External Dimensions:
(WxHxD): 17.32"x 16.93"x 14.1" /
440 mm x 430mm x 360mm

Material Thickness: 0.98" / 25mm

Net Internal Volume: 1.59 ft³ / 45 L

SINGLE SUBWOOFER PORTED BOX**PARAMETERS****Box External Dimensions:**

(WxHxD): 21.65" x 17.71" x 16.93" /
550 mm x 450 mm x 430 mm

Material Thickness: 0.98" / 25mm

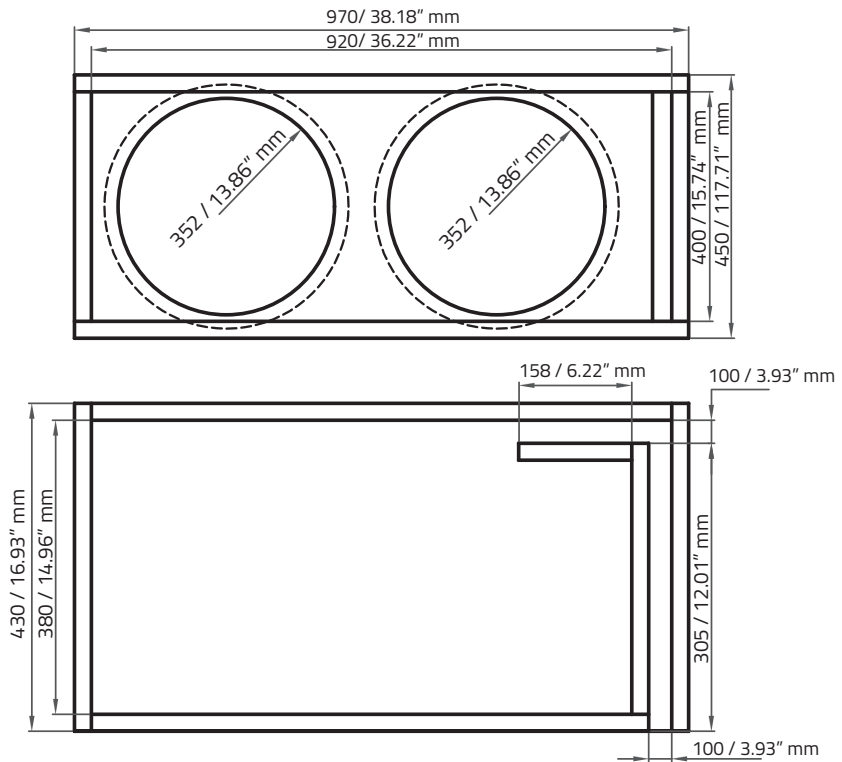
Net Internal Volume: 2.65 ft³ / 75 L

Tuning Frequency: 36 Hz

Port Area: 49.58 inch² / 320 CM²

Port Intel: 3.15" x 15.74"

Port Length: 31.10" / 790 mm

DOUBLE SUBWOOFER PORTED BOX**PARAMETERS****Box External Dimensions:**

(WxHxD): 38.18" x 17.71" x 16.93" /
970 mm x 450 mm x 430 mm

Material Thickness: 0.98" / 25mm

Net Internal Volume: 4.9 ft3 / 140L

Tuning Frequency: 36 Hz

Port Area: 61.85 inch² / 400 CM²

Port Intel: 3.93" x 15.74"

Port Length: 18.22" / 463 mm



**FOR MORE INFORMATION
PLEASE VISIT
www.reissaudio.com.tr**

Turkish Engineering Since 1985

REİS ELEKTRONİK SANAYİ VE TİCARET A.Ş
İstoç Toptancılar Sitesi 15. Ada No:1-3-5-7
Mahmutbey Bağcılar / İstanbul - TÜRKİYE