



JBL Club 6.5", 8", 10", and 12" Marine Speaker

Installation Guide

EN

Guide d'installation

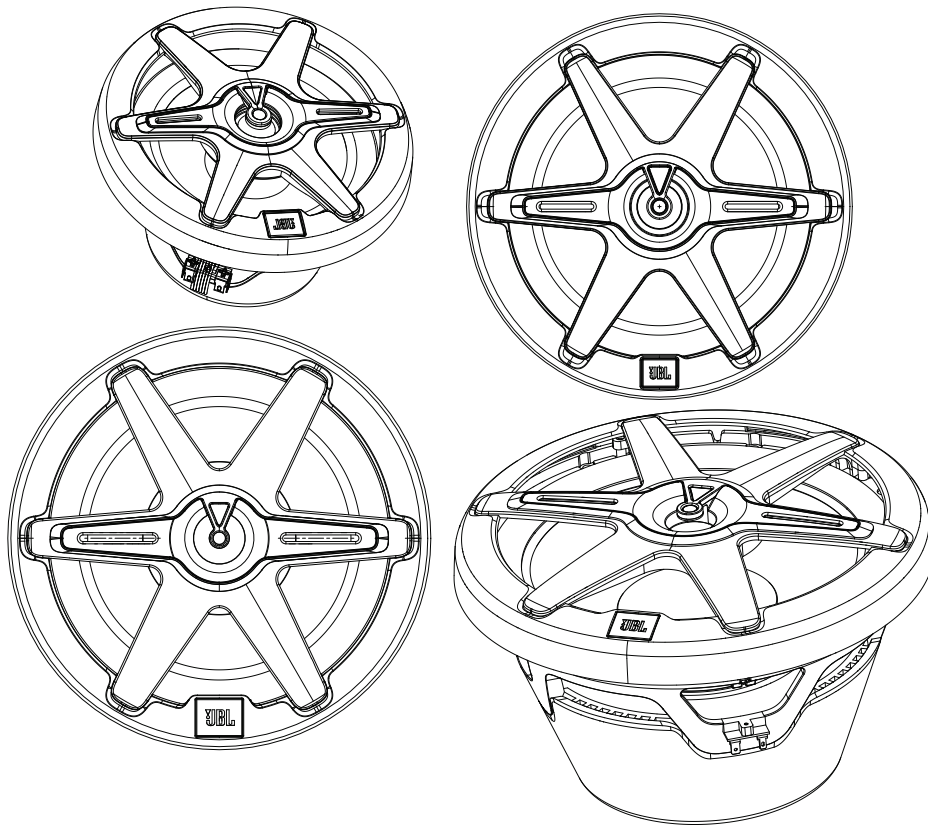
FR

Guía de instalación

ES

Руководство по установке

RU





JBL Club 6.5", 8", 10", and 12" Marine Speaker

THANK YOU FOR YOUR PURCHASE ...

Your JBL product has been designed to provide you with the performance and ease of operation you would expect from JBL.

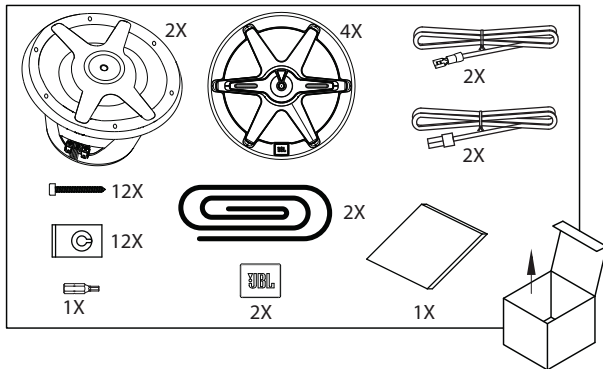
EN

ABOUT THE MANUAL

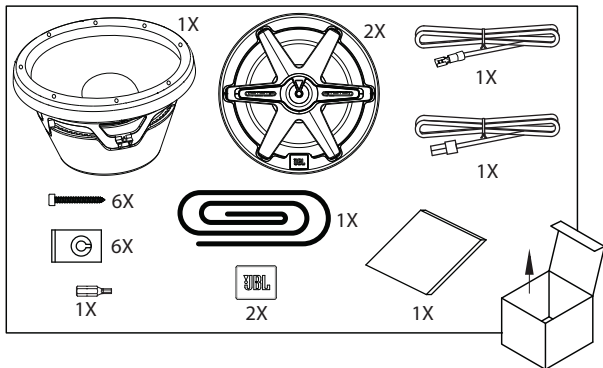
This manual describes general installation guidelines. However, please note that proper installation of marine audio components requires qualified experience. If you do not have the knowledge and tools to successfully perform this installation, we strongly recommend consulting an authorized JBL dealer about your installation options. Keep all instructions and sales receipts for reference.

WHAT'S IN THE BOX

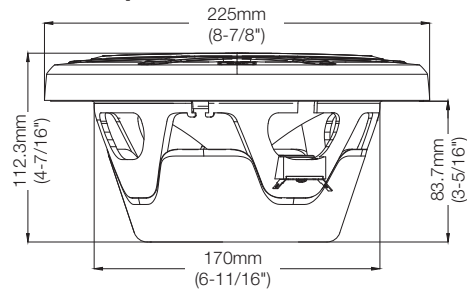
Club 6.5" and 8" speakers



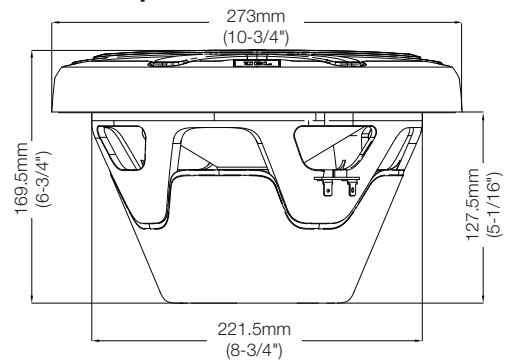
Club 10" and 12" speakers



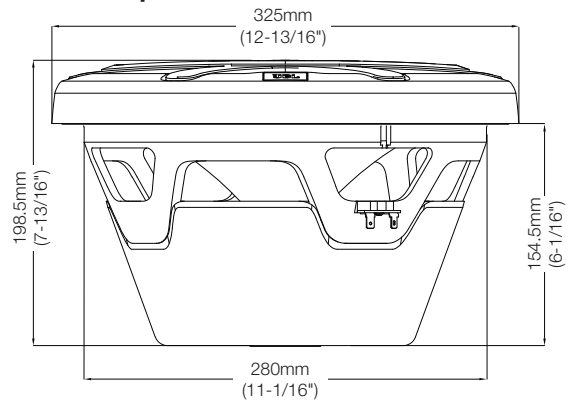
Club 8" speaker



Club 10" speaker

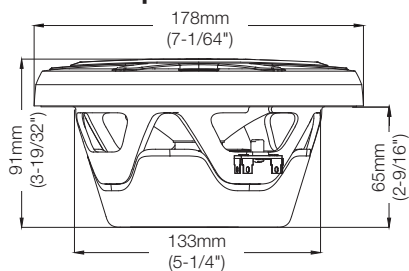


Club 12" speaker



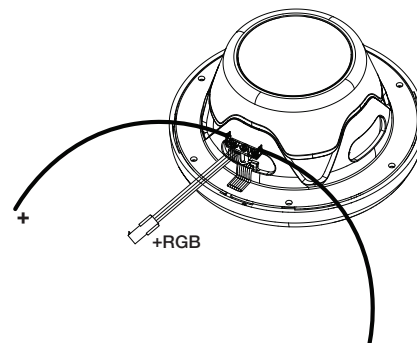
DIMENSIONS

Club 6.5" speaker



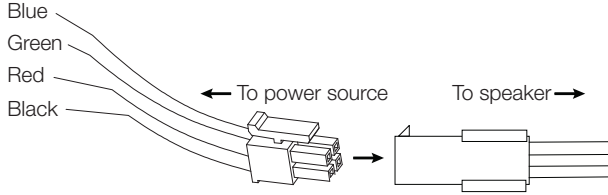
SPEAKER SIGNAL WIRING

To send signal to the JBL marine speaker, connect the positive (+) and negative (-) speaker wires to the appropriate speaker outputs of your source unit or amplifier. Be sure to observe proper polarity.



SPEAKER LED WIRING

To provide power for the LEDs, plug the 24-gauge black (+), blue, green, and red LED wires from the speaker into the included female connector, then run the wires from the female connector to your compatible 12-volt power source or light controller (sold separately). If using a separate controller, be sure to connect each wire to the proper output.



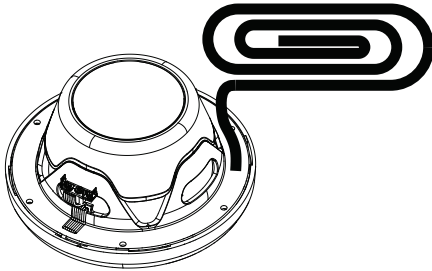
If hardwiring the LEDs directly to your power source, you can choose the color of the LEDs by connecting the black wire to the positive (+) terminal, and the appropriate R, G, and/or B single wire or combination of wires to the negative (-) terminal.

There are 7 possible colors, depending on the wiring configuration you choose:

Wire connected to positive (+12V) terminal	Wire connected to negative (-) terminal	Color produced
Black	Red	Red
	Green	Green
	Blue	Blue
	Red + Green	Yellow
	Red + Blue	Purple
	Blue + Green	Aquamarine
	Red + Blue + Green	White

APPLYING FOAM SEAL

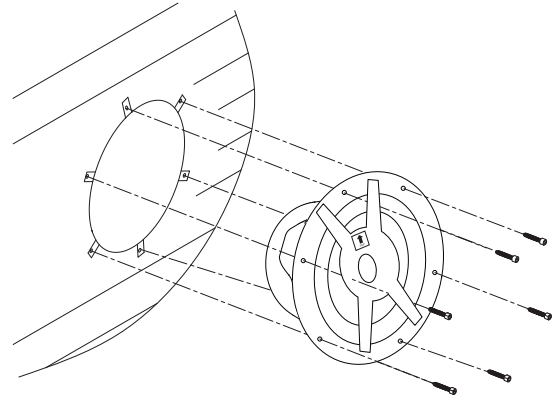
To help seal your installation against water, and to provide an airtight acoustic seal, apply the self-adhesive foam seal to the speaker frame.



MOUNTING THE SPEAKER

1. Use the included screws and drill bit to mount the speaker to the location. Use the included speed clips if necessary to provide a secure mount.

NOTE: It might be necessary to drill new speaker-mounting holes at the mounting location. Use caution when cutting and using screws with fiberglass to prevent scratches and cracks.

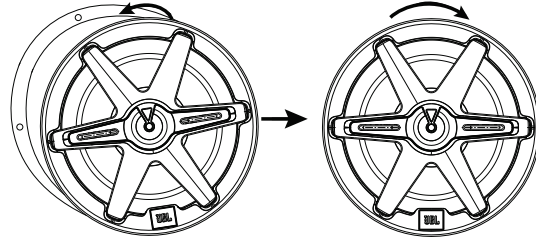


EN

2. Make sure that the sticker above the tweeter with the arrow and "TOP" printed on it is aligned with the arrow facing upward. This will ensure the speaker terminals are facing downwards to allow water to drain away from them, and that the grille orientation will be correct. Remove the sticker after speaker installation.

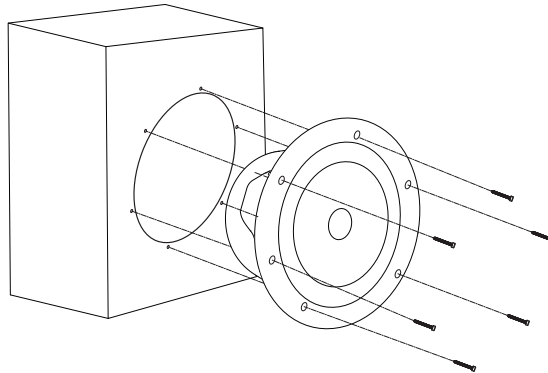
ATTACHING THE GRILLE

To attach either the white or grey grille, place it over the speaker at a slight angle and press down. Then twist it clockwise just a few degrees to lock into place. Make sure the JBL logo is at the bottom.

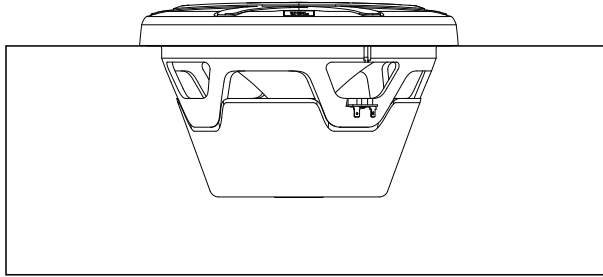


MOUNTING THE CLUB 10" OR 12" IN AN ENCLOSURE

The Club 10" and 12" subwoofers can be mounted in a free-air application, or in a sealed or ported subwoofer enclosure.



SEALED-BOX VOLUME (INCLUDES DRIVER DISPLACEMENT)



Speaker size	Enclosure size	Port length	Port diameter	Tuning frequency
12"	1.25 ft ³ (35.4L)	11-13/16" (300mm)	2-5/8" (66mm)	27.8Hz
	2.25 ft ³ (63.6L)	11-13/16" (300mm)	3-7/8" (97mm)	27.8Hz
	3 ft ³ (85L)	9-7/8" (250mm)	4-1/2" (113mm)	27.8Hz
	3.12 ft ³ (88.5L)*	9-7/8" (250mm)*	4-5/8" (117mm)*	27.8Hz*

TECHNICAL DATA (CLUB 10" AND 12" SUBWOOFERS ONLY)

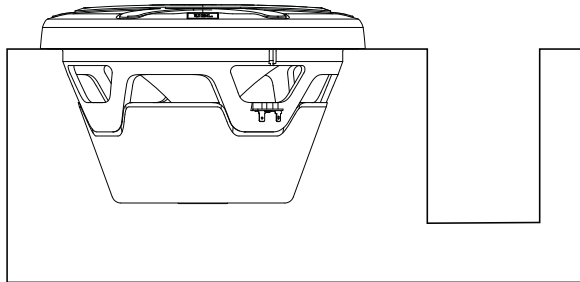
VBOX

Speaker size	Enclosure Size	Tuning frequency
10"	Free air	44.9Hz
	0.75 ft ³ (21.2L)*	61.8Hz*
	1.25 ft ³ (35.4L)	55.6Hz
	2.25 ft ³ (63.6L)	51.1Hz
	3 ft ³ (85L)	49.6Hz
12"	Free air	34.3Hz
	1.25 ft ³ (35.4L)	56.5Hz
	1.74 ft ³ (49.3L)*	51.2Hz*
	2.25 ft ³ (63.6L)	47.9Hz
	3 ft ³ (85L)	44.9Hz

*Recommended

THIELE-SMALL PARAMETERS		Club 10" (250mm)	Club 12" (300mm)
Voice coil DC resistance:	Revc (OHMs)	3.47	3.23
Electrical inductance:	LCES (mH)	20.34	27.98
Driver radiating area:	Sd (CM ²)	320.47	510.71
Motor force factor:	BL (Tm)	12.505	13.051
Compliance Volume:	VAS (Liters)	18.9086	60.6378
Suspension compliance:	Cms (mm/N)	0.13	0.164
Moving mass, air load:	MMS (Grams)	96.45	131.368
Moving mass, without air load:	MMD (Grams)	89.967	118.327
Free-air resonance:	Fs (Hz)	44.9	34.3
Mechanical Q:	QMS	6.983	9.373
Electrical Q:	QES	0.603	0.537
Total Q:	QTS	0.555	0.508
SPL, 1W/1m @ 4ohm:	Lm (dB)	86.57	88.6

VENTED-BOX VOLUME (INCLUDES DRIVER DISPLACEMENT)



VBOX

Speaker size	Enclosure size	Port length	Port diameter	Tuning frequency
10"	1.18 ft ³ (33.5L)*	9-7/8" (250mm)*	3-1/16" (78mm)*	34Hz*
	1.25 ft ³ (35.4L)	9-7/8" (250mm)	3-3/16" (81mm)	34Hz
	2.25 ft ³ (63.6L)	11-13/16" (300mm)	4-7/8" (123mm)	34Hz
	3 ft ³ (85L)	7-7/8" (200mm)	5-3/4" (146mm)	34Hz

SPECIFICATIONS

	Club 6.5"	Club 8"	Club 10"	Club 12"
Continuous power handling	75W	150W	300W	400W
Peak power handling	225W	450W	900W	1200W
Frequency response	50Hz – 20kHz	30Hz – 20kHz	25Hz – 500Hz	25Hz – 500Hz
Nominal impedance	4 Ohm	4 Ohm	4 Ohm	4 Ohm
Sensitivity	92dB	92dB	89dB	89dB
External diameter	178mm (7")	225mm (8-7/8")	273mm (10-3/4")	325mm (12-13/16")
Mounting cutout diameter	133mm (5-1/4")	170mm (6-11/16")	221.5mm (8-3/4")	280mm (11-1/16")
Total depth	91mm (3-19/32")	112.3mm (4-7/16")	169.5mm (6-3/4")	198.5mm (7-13/16")
Mounting depth	65mm (2-9/16")	83.7mm (3-5/16")	127.5mm (5-1/16")	154.5mm (6-1/16")

ТЕХНИЧЕСКИЕ ХАРАКТЕРИСТИКИ

	Club 6,5"	Club 8"	Club 10"	Club 12"
Долговременная шумовая мощность	75 Вт	150 Вт	300 Вт	400 Вт
Пиковая мощность	225 Вт	450 Вт	900 Вт	1200 Вт
Частотная характеристика	50 Гц – 20 кГц	30 Гц – 20 кГц	25 Гц – 500 Гц	25 Гц – 500 Гц
Номинальное сопротивление	4 Ом	4 Ом	4 Ом	4 Ом
Чувствительность	92 дБ	92 дБ	89 дБ	89 дБ
Наружный диаметр	178 мм (7")	225 мм (8-7/8")	273 мм (10-3/4")	325 мм (12-13/16")
Диаметр монтажного отверстия	133 мм (5-1/4")	170 мм (6-11/16")	221,5 мм (8-3/4")	280 мм (11-1/16")
Общая глубина	91 мм (3-19/32")	112,3 мм (4-7/16")	169,5 мм (6-3/4")	198,5 мм (7-13/16")
Глубина установки	65 мм (2-9/16")	83,7 мм (3-5/16")	127,5 мм (5-1/16")	154 мм (6-1/16")

RU

Пассивная акустическая система

Изготовитель: Харман Интернешнл Индастриз Инкорпорейтед, США, 06901 Коннектикут, г.Стемфорд, Атлантик Стрит 400, офис 1500

Сделано в Китае

Импортер: ООО "ХАРМАН РУС СиАйЭс", Россия, 127018, г.Москва, ул. Двинцев, д.12, к. 1

Гарантийный период: 1 год

Срок службы: 3 года

Информация о сервисных центрах: www.harman.com/ru

Техническая поддержка: 8 (800) 700 0467

Организация, уполномоченная на принятие претензий потребителей: ООО "ХАРМАН РУС СиАйЭс"

Товар сертифицирован

Дата изготовления устройства определяется по двум буквенным обозначениям из второй группы символов серийного номера изделия, следующих после разделительного знака «-». Кодировка соответствует порядку букв латинского алфавита, начиная с января 2010 года: 000000-МУ0000000, где «М» - месяц производства (А - январь, В - февраль, С - март и т.д.) и «У» - год производства (А - 2010, В - 2011, С - 2012 и т.д.).

EAC



HARMAN International Industries,
Incorporated 8500 Balboa Boulevard,
Northridge, CA 91329 USA
www.jbl.com

© 2022 HARMAN International Industries, Incorporated. All rights reserved.
JBL is a trademark of HARMAN International Industries, Incorporated,
registered in the United States and/or other countries. Features, specifications
and appearance are subject to change without notice.