

SPECIFICATIONS			
Technical Characteristics	Symbol	Value	Units
SYSTEM GENERAL DATA			
Nominal Power Handling (AES)*	P	200	W
Transient Power *	Pp	400	W
Sensitivity 1W/1m	SPL	88	dB SPL
Frequency Response		43 - 1500	Hz
Nominal Impedance	Z	4	Ω
*Nominal and Transient power @ High Pass 80Hz - 12db/Oct			

WOOFER VOICE COIL AND MAGNET PARAMETERS			
Voice Coil Diameter	Dia	38.5	mm
Magnet System		Ferite-Y25	
BL Product	BxL	9.1	Na

WOOFER T&S PARAMETERS			
DC Resistance	Ω	3.6	Ω
Suspension Compliance	Cms	0.17	N/m
Mechanical Q Factor	Qms	4.98	
Electrical Q Factor	Qes	0.99	
Total Q Factor	Qts	0.82	
Moving Mass	Mms	84	g
Eq. Comp. Air Load	VAS	27.7	l
Resonance Frequency	Fs	42.7	Hz



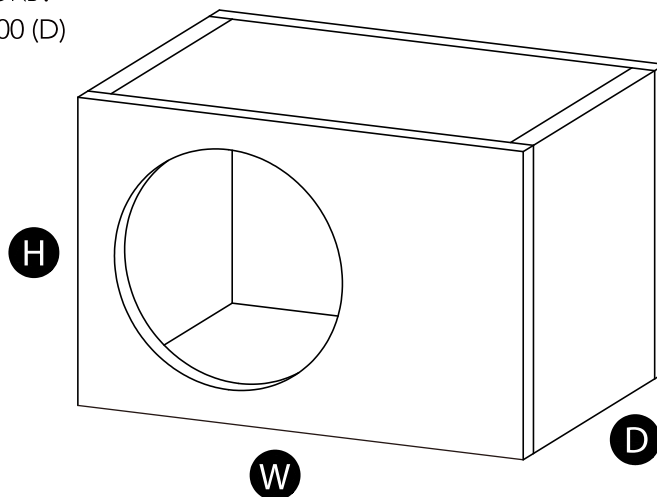
RECOMMENDED SEALED ENCLOSURE

VOLUME:

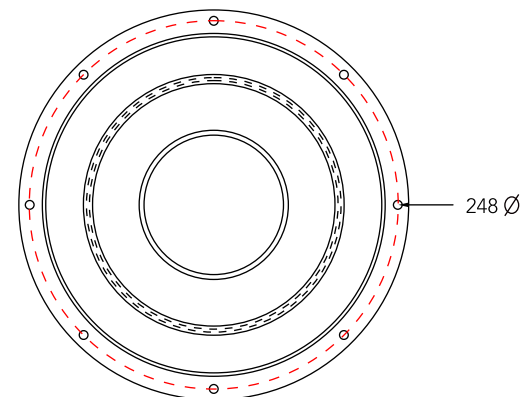
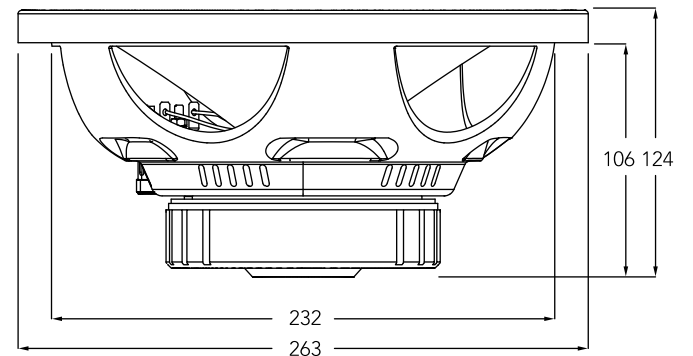
28 LT

EXTERNAL DIMENSIONS:

420 (W) × 320 (H) × 300 (D)



ALL MEASUREMENTS IN MILLIMETERS



NOTE: ENCLOSURE DIMENSION ARE ASSUME WITH 3/4" MATERIAL (19MM). THIS IS THE SUGGESTED THICKNESS. LESS THICKNESS MAY COMPROMISE BOX RIGIDITY WITH LEAK BASS RESPONSE. ALL VOLUME LISTED ARE INTERNAL VOLUME. WHEN USING TWO SUBWOOFERS SIMPLY DOUBLE THE VOLUME. ALL MEASUREMENTS IN MM