

Gttrading保留对所示产品进行修改或改进的权利，恕不另行通知 - 所示产品的可用性可能会有所更改 - 本用户指南中描述的产品仅代表可用STEG产品的一部分 - 提及的所有品牌和商标 仅用于描述目的，所有权利归属于所有者 - 禁止全部或部分复制本用户指南。

Gttrading si riserva il diritto apportare modifiche o miglioramenti ai prodotti illustrati senza preavviso ne-la disponibilità di posti dei prodotti illustrati sono soggette a modifica-I prodotti descritti in questo manuale d'uso rappresentano solo una parte dei prodotti STEG disponibili Tutti-i marchi ei marchi registrati citati sono stati utilizzati esclusivamente a fini di descrizione e tutti i rights Beling al repective riproduzione proprietari-totale o parziale di questo manuale d'uso è vietato.

G.T.trading reserves the right to make modifications or improvements to the products illustrated without notice thereof-The availability of the products illustrated is subject to change-The products described in this User's Guide represent just a part of the STEG products available-All brands and trademarks mentioned have been used exclusively for description purposes and all rights belong to the respective owners-Total or partial reproduction of this User's Guide is prohibited.

GTtrading変更または予告なしに示された製品を改善する権利を留保 - このユーザーガイドに記載されている製品の一部にのみ利用可能STEG製品を表す - - すべてのブランドを変更することが示されており、上記の製品の入手だけ説明の目的のために使用される商標すべての権利所有者に属しているが - 。このユーザーガイドの全部または一部をコピーすることは禁止されています。

MA

DEDICATED SPEAKER

Audi

MA 25
MA 32A
MA 32Q
MA 6C
MA 8C
MA 8CI



用户指南
奥迪汽车专用喇叭系列

User's guide
Audi car special speaker series

用户手册:

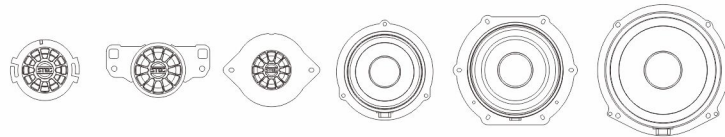
感谢您购买STEG品牌喇叭，这是一款专门为您精心设计和研发的奥迪汽车专车专用系列喇叭。她富有沁人心扉的美妙声音！让您的旅途心旷神怡、倍感舒适！本产品已经通过全面的测试，以确保其性能的一致性和可靠性。

安全须知:

- 在打孔安装本产品之前，请确认安装空间是否合适，并仔细阅读、理解所有相关说明，如果由于未遵循说明而造成损害，则将不能享受保修。
- 请使用随附的安装配件，以确保安装安全稳固。
- 切勿在超出最大功率的情况下使用该扬声器。
- 为了防止噪音干扰，请确保接线远离发动机，高压导线和其它潜在的噪音来源。
- 为防止短路，请确保布线避开运动的部件和锋利的边缘。
- 用柔软的布清洁该扬声器，切勿使用酒精、化学品或家用清洁剂等物质清洁本产品。

保证条件:

- 所有STEG扬声器均由您所在国家的官方STEG经销商制定的保修服务。
- 您的经销商可以提供有关担保条件的所有详细信息。保证范围至少延伸至原始购买发票所在国有效的法律保证中所授予的范围。



型号	MA25	MA32A	MA32Q	MA6C	MA8C	MA8CII
阻抗 (Ω)	4 Ω	8 Ω	8 Ω	4 Ω	4 Ω	4 Ω
频率响应 (HZ)	1300 — 22000Hz	1300 — 22000Hz	1300 — 22000Hz	60 — 5000Hz	50 — 4000Hz	65 — 6000Hz
额定功率 (W)	20W	20W	20W	40W	50W	50W
最大功率 (W)	40W	40W	40W	80W	100W	100W
灵敏度 (dB1W/1m)	90dB	90dB	90dB	88dB	90dB	90dB

MA25高音技术参数:

膜片材质: 特多龙

音圈尺寸: 25mm

直流阻抗: 3.6 Ω

持续功率: 20 W

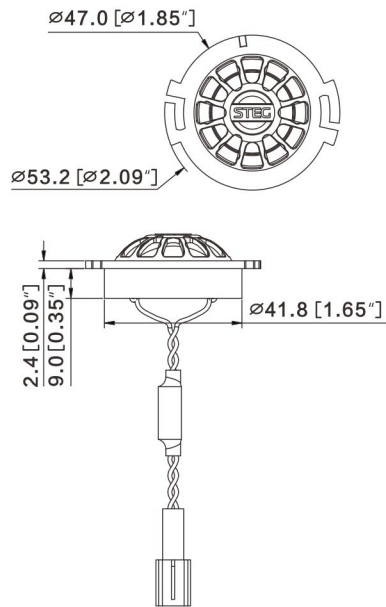
频率响应: 1300-22000Hz

灵敏度: 90 dB

重量: 0.065 kg

安装深度: 15 mm

安装直径: 43 mm



MA32A高音技术参数:

膜片材质: 特多龙

音圈尺寸: 32mm

直流阻抗: 6.8 Ω

持续功率: 20 W

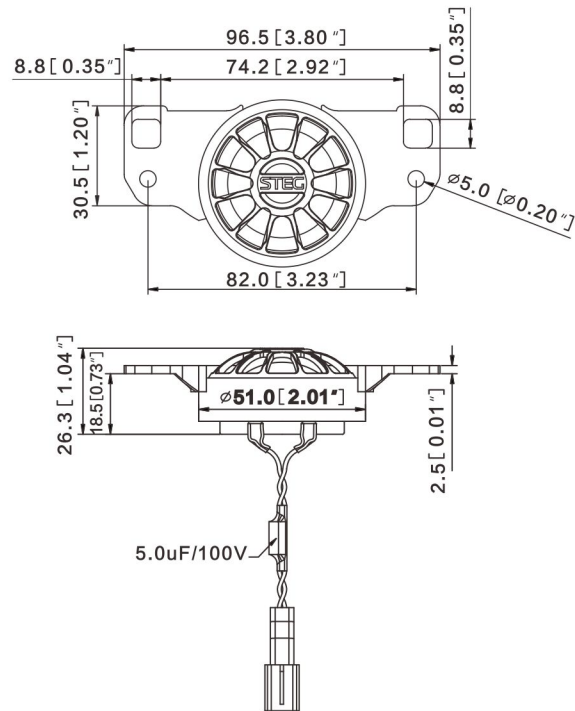
频率响应: 1300-22000Hz

灵敏度: 90 dB

重量: 0.12 kg

安装深度: 22 mm

安装直径: 96.5 mm



MA32Q高音技术参数:

膜片材质: 特多龙

音圈尺寸: 32mm

直流阻抗: 6.8 Ω

持续功率: 20

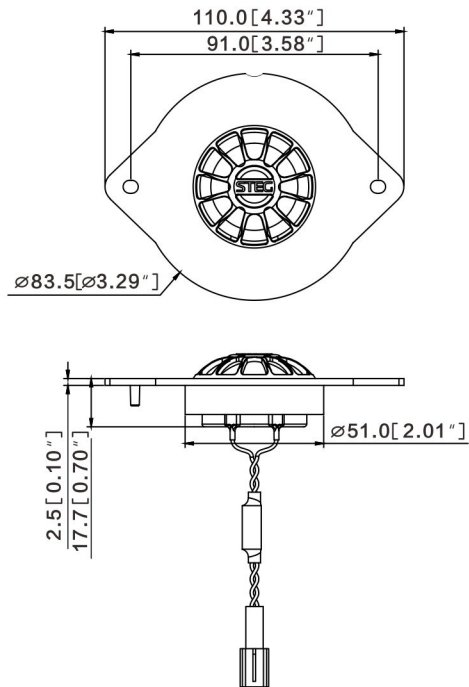
频率响应: 1300-22000Hz

灵敏度: 90 dB

重量: 0.125 kg

安装深度: 20 mm

安装直径: 110 mm



MA6C技术参数:

鼓纸材质: 特殊纸盆

音圈尺寸: 51mm

持续功率: 80 W

频率响应: 60-5000Hz

直流阻抗: 3.4 Ω

Fo: 60 Hz

SPL: 88 dB

Sd: 126.8 cm²

Bl: 7.5 Tm

Qms: 5.56

Qes: 0.45

Qts: 0.41

No: 0.36%

Vas: 8Ltr

Cms: 359.5u M/N

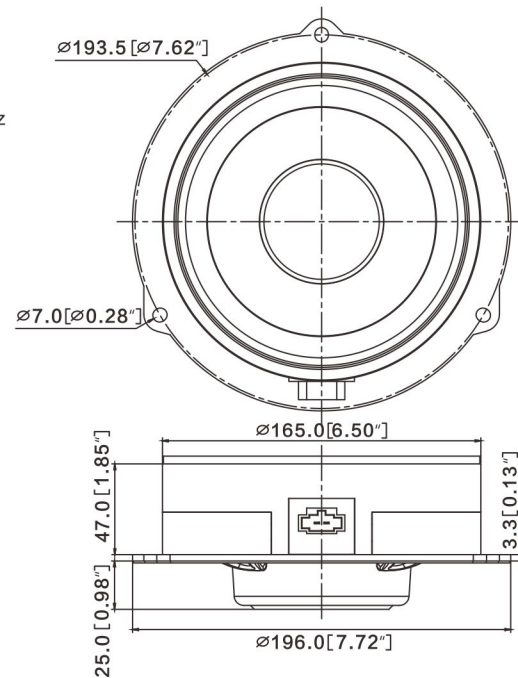
Mms: 21.1g

Mmd: 20.3g

重量: 1.4 kg

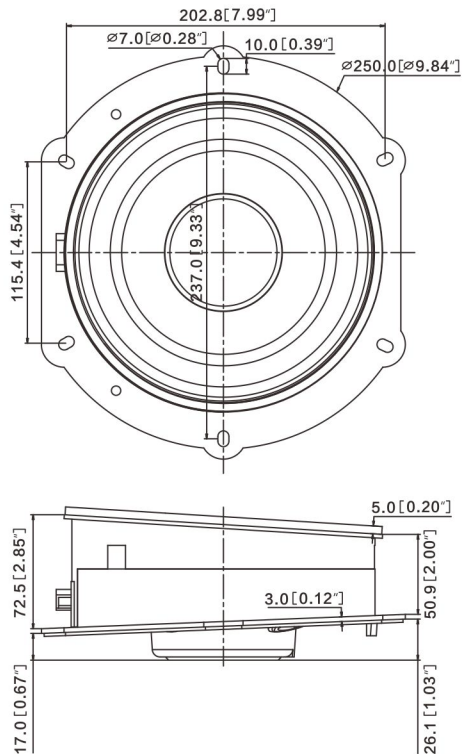
安装深度: 30 mm

安装直径: 165 mm



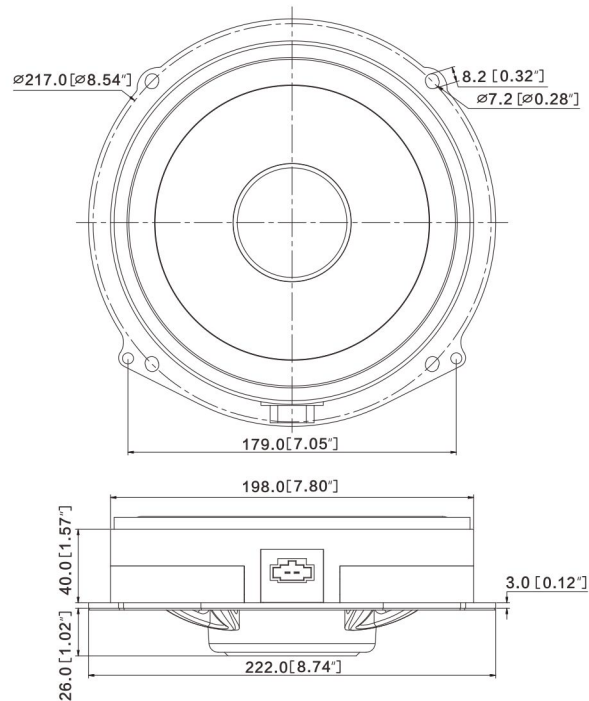
MA8C技术参数:

鼓纸材质: 特殊纸盆
 音圈尺寸: 51mm
 持续功率: 100 W
 频率响应: 50-4000Hz
 直流阻抗: 3.4 Ω
 Fo: 50 Hz
 SPL: 90 dB
 Sd: 213.8 cm²
 Bl: 7.4 Tm
 Qms: 6.87
 Qes: 0.52
 Qts: 0.48
 No: 0.61%
 Vas: 23.3Ltr
 Cms: 359.5u M/N
 Mms: 25.8g
 Mmd: 22.1g
 重量: 1.54 kg
 安装深度: 30 mm
 安装直径: 200 mm



MA8CII技术参数:

鼓纸材质: 特殊纸盆
 音圈尺寸: 51mm
 持续功率: 100 W
 频率响应: 65-6000Hz
 直流阻抗: 3.4 Ω
 Fo: 65 Hz
 SPL: 90 dB
 Sd: 212.2 cm²
 Bl: 7.5 Tm
 Qms: 6.5
 Qes: 0.67
 Qts: 0.6
 No: 0.63%
 Vas: 13.2Ltr
 Cms: 208.8u M/N
 Mms: 25.5g
 Mmd: 23.7g
 重量: 1.45 kg
 安装深度: 30 mm
 安装直径: 200 mm



User manual

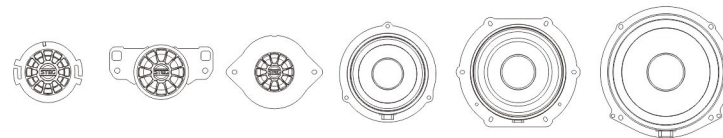
Thank you for purchasing the STEG brand speakers, the Audi car speaker specially designed and developed for you. She has a wonderful voice! Make your trip unexpectedly comfortable! The product has been thoroughly tested to ensure consistent and reliable performance.

Safety instructions

- Before installing this product, make sure that the installation space is appropriate and read and understand all the instructions. If you do not follow the instructions, you will not be able to enjoy the warranty.
- Use the supplied mounting accessories to ensure safe and secure installation.
- Do not use the loudspeaker beyond maximum power.
- To prevent noise interference, make sure that the wiring is away from the engine, high voltage wires, and other potential noise sources.
- To prevent short circuits, make sure that wiring avoids moving parts and sharp edges.
- Clean the speaker with a soft cloth and do not use alcohol, chemicals, or household cleaners to clean the product.

Guarantee conditions

- All STEG speakers are covered by the official STEG dealer in your country.
- Your dealer can provide all the details about the warranty. The scope of the guarantee extends at least to the extent permitted by the legal guarantee in the country where the original purchase invoice is located.



Model	MA25	MA32A	MA32Q	MA6C	MA8C	MA8CII
Nominal Impedance	4Ω	8Ω	8Ω	4Ω	4Ω	4Ω
Frequency Response	1300 — 22000Hz	1300 — 22000Hz	1300 — 22000Hz	60 — 5000Hz	50 — 4000Hz	65 — 6000Hz
Nominal Long Term IEC	20W	20W	20W	40W	50W	50W
Transient (10ms)	40W	40W	40W	80W	100W	100W
Sensitivity (1W/1m)	90dB	90dB	90dB	88dB	90dB	90dB

Ma25 tweeter technical parameters:

Dome material: Tetonon

Voice coil size: 25mm

DC impedance: 3.6 Ω

Continuous power: 20 W

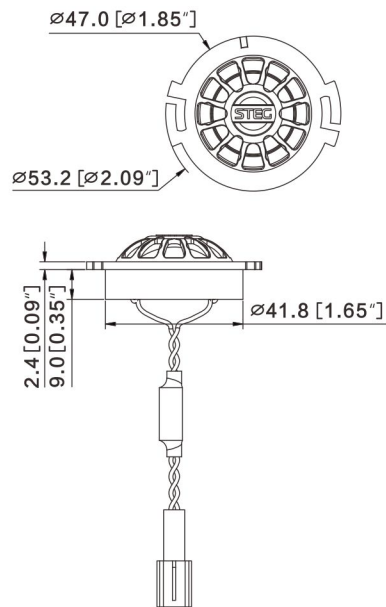
Frequency response: 1300-22000Hz

Sensitivity: 90 dB

Weight: 0.065 kg

Installation depth: 15 mm

Installation diameter: 43 mm



MA32A tweeter technical parameters:

Dome material: Tetonon

Voice coil size: 32mm

DC impedance: 6.8 Ω

Continuous power: 20 W

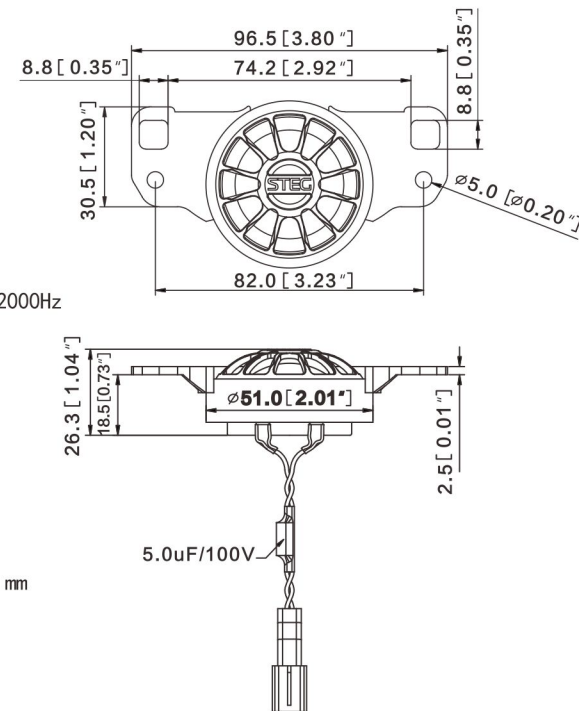
Frequency response: 1300-22000Hz

Sensitivity: 90 dB

Weight: 0.12 kg

Installation depth: 22 mm

Installation diameter: 96.5 mm



MA32Q tweeter technical parameters :

Dome material: Tetonon

Voice coil size: 32mm

DC impedance: 6.8 Ω

Continuous power: 20W

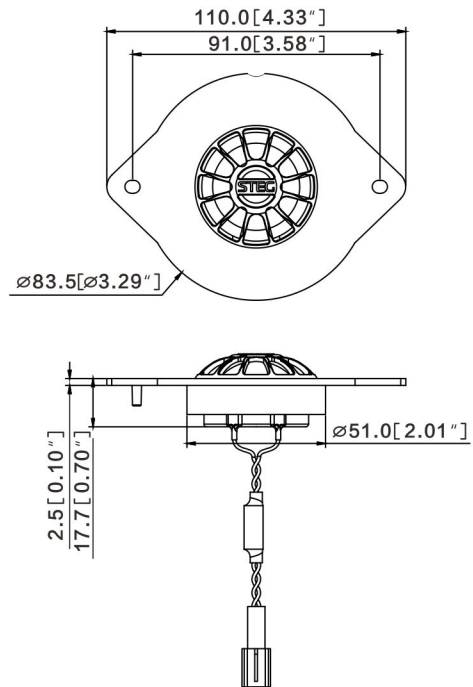
Frequency response: 1300-22000Hz

Sensitivity: 90dB

Weight: 0.125 kg

Installation depth: 20 mm

Installaton diameter: 110 mm



MA6C woofer technical parameters:

Cone material: Special paper

Voice coil size: 51mm

Continuous power: 80W

Frequency response: 60-5000Hz

DC impedance: 3.4 Ω

Fo: 60 Hz

SPL: 88 dB

Sd: 126.8 cm²

Bl: 7.5 Tm

Qms: 5.56

Qes: 0.45

Qts: 0.41

No: 0.36%

Vas: 8Ltr

Cms: 359.5u M/N

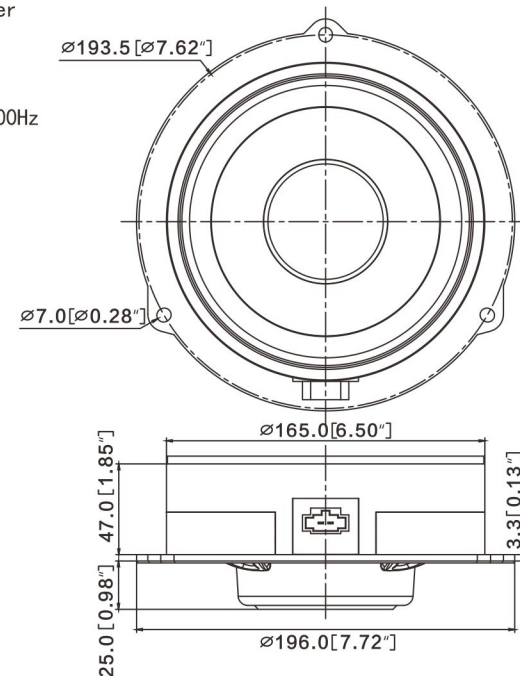
Mms: 21.1g

Mmd: 20.3g

Weight: 1.4 kg

Installation depth: 30 mm

Installaton diameter: 165 mm



MA8C woofer technical parameter:

Cone material: Special paper

Voice coil size: 51mm

Continuous power: 100 W

Frequency response: 50–4000Hz

DC impedance: 3.4 Ω

Fo: 50 Hz

SPL: 90 dB

Sd: 213.8 cm²

Bl: 7.4 Tm

Qms: 6.87

Qes: 0.52

Qts: 0.48

No: 0.61%

Vas: 23.3Ltr

Cms: 359.5u M/N

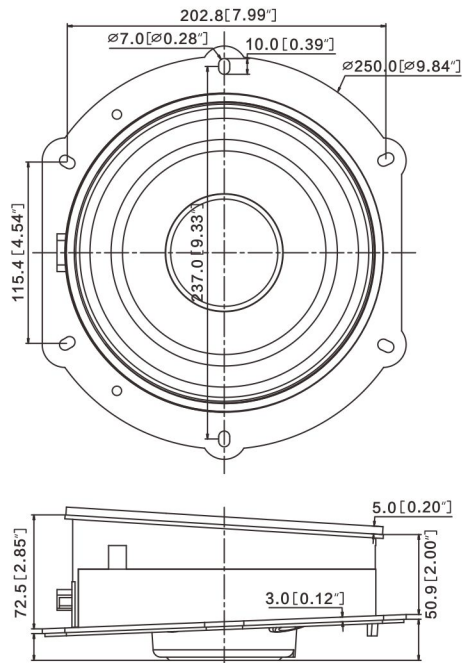
Mms: 25.8g

Mmd: 22.1g

Weight: 1.54 kg

Installation depth: 30 mm

Installation diameter: 200 mm



MA8CII woofer technical parameter:

Cone material: Special paper

Voice coil size: 51mm

Continuous power: 100 W

Frequency response: 65–6000Hz

DC impedance: 3.4 Ω

Fo: 65 Hz

SPL: 90 dB

Sd: 212.2 cm²

Bl: 7.5 Tm

Qms: 6.5

Qes: 0.67

Qts: 0.6

No: 0.63%

Vas: 13.2Ltr

Cms: 208.8u M/N

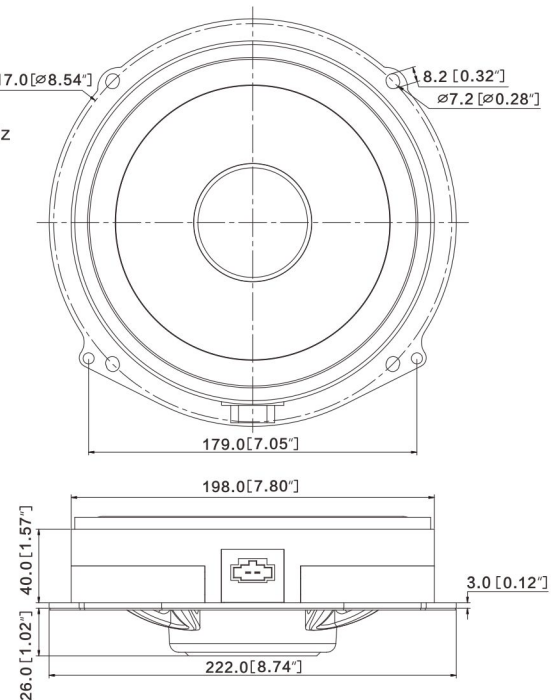
Mms: 25.5g

Mmd: 23.7g

Weight: 1.45 kg

Installation depth: 30 mm

Installation diameter: 200 mm





- ▶ 长时间在大音量下聆听音乐可能会损害您的听觉，并影响您的驾驶安全。
- ▶ Listening to high sound pressure levels over a prolonged period of time may harm your hearing.

- ▶ 感谢您的查阅!
- ▶ Welcome to consult!