

# RELAX

# BLAM

FRENCH SOUND

Driven by passion.

## BM 200 WN

### Speaker

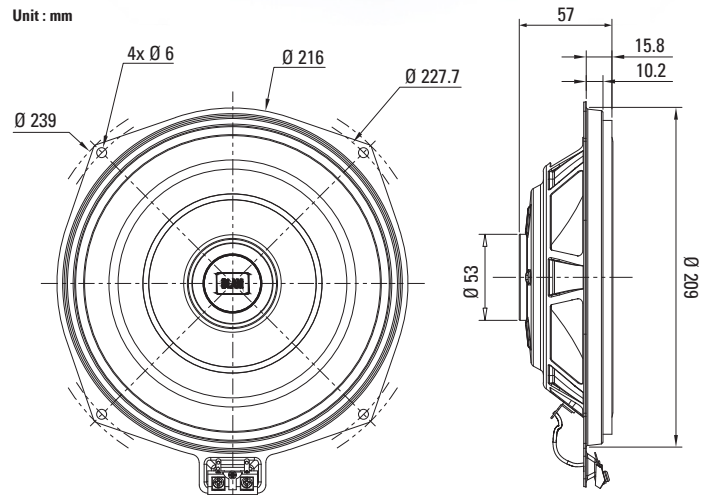
- 200 mm 8" extra flat underseat subwoofer for BMW
- Max. power 120 W - RMS Power: 60 W
- Frequency response: 40 Hz - 1 kHz
- Impedance 2  $\Omega$

#### TECHNICAL SPECIFICATIONS

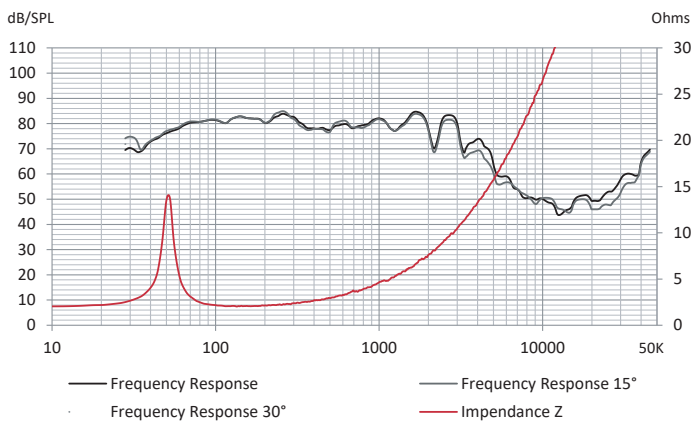
| Component                          | Speaker                          |
|------------------------------------|----------------------------------|
| Max power                          | 120 W                            |
| Nominal power                      | 60 W                             |
| Impedance                          | 2 $\Omega$                       |
| Freq. Response                     | 40 Hz - 1 kHz                    |
| Sensitivity (2,83V/1m)             | 91 dB                            |
| Magnet                             | Neodymium                        |
| Magnet size $\varnothing \times h$ | 34.5 x 7 mm      1.358" x 0.276" |
| Total driver displacement          | 0.6 l      0.021 cf              |
| Weight of one component            | 0.52 kg      1.146 lb            |
| Voice coil $\varnothing$           | 35 mm      1.378"                |
| Voice coil height                  | 10 mm      0.394"                |
| Cone                               | Fiberglass                       |



Unit : mm



#### FREQUENCY RESPONSE / IMPEDANCE



#### THIELE-SMALL PARAMETERS

|                             |                         |
|-----------------------------|-------------------------|
| effective $\varnothing$ (d) | 167 mm                  |
| Sd                          | 219.04 cm <sup>2</sup>  |
| Xmax                        | 2 mm                    |
| Re                          | 2.0 $\Omega$            |
| Fs                          | 51.71 Hz                |
| Le                          | 236.69 $\mu$ H @ 1 kHz  |
| L2                          | 385.02 $\mu$ H @ 10 kHz |
| Vas                         | 17.75 L                 |
| Mms                         | 35.96 g                 |
| Cms                         | 0.263413 m/N            |
| BL                          | 4.31 Tm                 |
| Qts                         | 1.08                    |
| Qes                         | 1.26                    |
| Qms                         | 7.53                    |
| Sensitivity (dB/ W / m)     | 85 dB                   |

contact@blam-audio.fr  
www.facebook.com/blamaudio  
www.blam-audio.com