

— Installation assistance available at: —  
**RFTECH**  
— [www.rockfordfosgate.com/rftech](http://www.rockfordfosgate.com/rftech) —

**P U N C H<sup>®</sup>**

**POWERED ENCLOSURE**

**P300-8P**  
**P300-10**  
**P300-10T**  
**P300-12**  
**P300-12T**  
**P500-12P**

600 South Rockford Drive • Tempe, Arizona 85288 United States  
Direct: (480) 967-3565 • Toll Free: (800) 669-9899

**ROCKFORDFOSGATE.COM**



Serial Number: \_\_\_\_\_ Date of Purchase: \_\_\_\_\_

Installation & Operation

# Introduction

Dear Customer,

Congratulations on your purchase of the world's finest brand of car audio amplifiers. At Rockford Fosgate we are fanatics about musical reproduction at its best, and we are pleased you chose our product. Through years of engineering expertise, hand craftsmanship and critical testing procedures, we have created a wide range of products that reproduce music with all the clarity and richness you deserve.

For maximum performance we recommend you have your new Rockford Fosgate product installed by an Authorized Rockford Fosgate Dealer, as we provide specialized training through Rockford Technical Training Institute (RTTI). Please read your warranty and retain your receipt and original carton for possible future use.

Great product and competent installations are only a piece of the puzzle when it comes to your system. Make sure that your installer is using 100% authentic installation accessories from Rockford Fosgate in your installation. Rockford Fosgate has everything from RCA cables and speaker wire to power wire and battery connectors. Insist on it! After all, your new system deserves nothing but the best.

To add the finishing touch to your new Rockford Fosgate image order your Rockford accessories, which include everything from T-shirts to jackets.

Visit our web site for the latest information on all Rockford products; [www.rockfordfosgate.com](http://www.rockfordfosgate.com) or, in the U.S. call 1-800-669-9899 or FAX 1-800-398-3985. For all other countries, call +001-480-967-3565 or FAX +001-480-966-3983.

## Table of Content

2	Introduction
3-5	Specifications
6	Design Features
7-8	Installation
	Installation Considerations
	Battery and Charging
	Wiring the System
9	Operation
	Adjusting Gain / Crossover
	Phase Switch
	Input Level
	Auto Turn-on
	Punch Bass / Remote Punch Level
10-21	Additional Languages
	French
	Spanish
	German
	Italian
22	Limited Warranty Information

If, after reading your manual, you still have questions regarding this product, we recommend that you see your Rockford Fosgate dealer. If you need further assistance, you can call us direct at **1-800-669-9899**. Be sure to have your serial number, model number and date of purchase available when you call.

### PRACTICE SAFE SOUND

Continuous exposure to sound pressure levels over 100dB may cause permanent hearing loss. High powered auto sound systems may produce sound pressure levels well over 130dB. Use common sense and practice safe sound.

### PRATIQUEZ UNE ECOUTE SANS RISQUES

Une exposition continue à des niveaux de pression acoustique supérieurs à 100 dB peut causer une perte d'acuité auditive permanente. Les systèmes audio de forte puissance pour auto peuvent produire des niveaux de pression acoustique bien au-delà de 130 dB. Faites preuve de bon sens et pratiquez une écoute sans risques.

### PRACTIQUE EL SONIDO SEGURO

El contacto continuo con niveles de presión de sonido superiores a 100 dB puede causar la pérdida permanente de la audición. Los sistemas de sonido de alta potencia para automóviles pueden producir niveles de presión de sonido superiores a los 130 dB. Aplique el sentido común y practique el sonido seguro.


### PRAKTIZIEREN SIE SICHEREN SOUND


Fortgesetzte Geräuschdruckpegel von über 100 dB können beim Menschen zu permanentem Hörverlust führen. Leistungsstarke Autosoundsysteme können Geräuschdruckpegel erzeugen, die weit über 130 dB liegen. Bitte wenden Sie gesunden Menschenverstand an und praktizieren Sie sicheren Sound.

### OSSERVATE LE REGOLE DEL SUONO SENZA PERICOLI

La costante esposizione a livelli di pressione acustica al di sopra dei 100dB possono causare la perdita permanente dell'udito. I sistemi audio ad alta potenza possono produrre livelli di pressione acustica ben superiori ai 130dB. Si consiglia il buon senso e l'osservanza delle regole del suono senza pericoli.

## Safety

This symbol with "WARNING" is intended to alert the user to the presence of important instructions. Failure to heed the instructions will result in severe injury or death.  **WARNING**

This symbol with "CAUTION" is intended to alert the user to the presence of important instructions. Failure to heed the instructions can result in injury or unit damage.  **CAUTION**

- To prevent injury and damage to the unit, please read and follow the instructions in this manual. We want you to enjoy this system, not get a headache.
- If you feel unsure about installing this system yourself, have it installed by a qualified Rockford Fosgate technician.
- Before installation, disconnect the battery negative (-) terminal to prevent damage to the unit, fire and/or possible injury.

Model	P300-10	P300-12	P300-8P
Description	10" Powered Subwoofer	12" Powered Subwoofer	8" Powered Subwoofer
Power Rating (RMS/Peak)	300W / 600W	300W / 600W	300W / 600W
Crossover Slope	12dB/Oct	12dB/Oct	12dB/Oct
Crossover Frequency	Variable 50Hz-200Hz	Variable 50Hz-200Hz	Variable 50Hz-200Hz
Punch Bass	Variable 0 - +12dB @ 45Hz	Variable 0 - +12dB @ 45Hz	Variable 0 - +12dB @ 45Hz
Frequency Response	25Hz - 200Hz	20Hz - 200Hz	30Hz - 200Hz
Input Sensitivity	150mV - 12V	150mV - 12V	150mV - 12V
Fuse Rating	20A (2 X 10A)	20A (2 X 10A)	20A (2 X 10A)
Overall Dimensions (HxWxD)	13.3" x 18.0" x 8.9"/5.9" (33.7cm x 45.7cm x 22.6/15cm)	15.0" x 19.8" x 11.0"/7.0" (38.1cm x 50.3cm x 28/17.8cm)	11.38" x 17.6" x 4.84"/3.69" (28.9cm x 44.8cm x 14.1/9.36cm)

See illus.-1.1 for additional dimensions

Model	P300-10T	P300-12T	P500-12P
Description	10" Powered Subwoofer	12" Powered Subwoofer	12" Powered Subwoofer
Power Rating (RMS/Peak)	300W / 600W	300W / 600W	500W / 1000W
Crossover Slope	12dB/Oct	12dB/Oct	12dB/Oct
Crossover Frequency	Variable 50Hz-200Hz	Variable 50Hz-200Hz	Variable 50Hz-200Hz
Punch Bass	Variable 0 - +12dB @ 45Hz	Variable 0 - +12dB @ 45Hz	Variable 0 - +12dB @ 45Hz
Frequency Response	25Hz - 200Hz	20Hz - 200Hz	20Hz - 200Hz
Input Sensitivity	150mV - 12V	150mV - 12V	150mV - 12V
Fuse Rating	20A (2 X 10A)	20A (2 X 10A)	30A (2 X 15A)
Overall Dimensions (HxWxD)	13.31" x 21.73" x 11.0"/7.0" (33.8cm x 55.2cm x 20.1/12.2cm)	14.96" x 25.83" x 8.46"/4.8" (38cm x 65.6cm x 21.5/12.2cm)	12.88" x 24.76" x 10.91"/7.71" (32.7cm x 62.9cm x 27.7/189.2cm)

See illus.-1.1 for additional dimensions

## CEA 2031

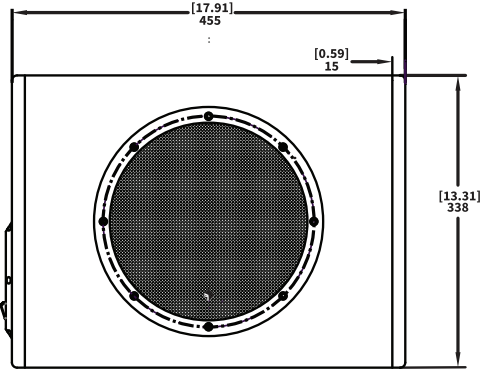
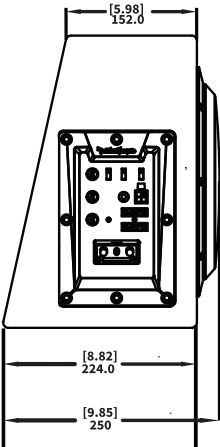


Power handling on Rockford Fosgate speakers conform to CEA-2031 industry standards. This means your speaker has the capacity to handle power under continuous demand, not instantaneous power handling, that over time can damage voice coils.

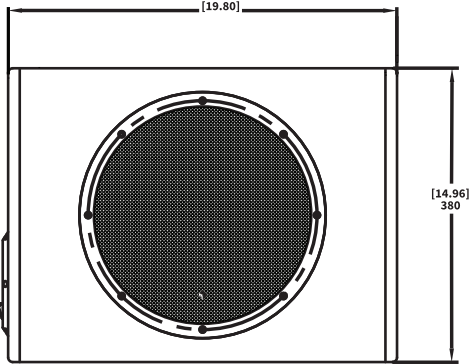
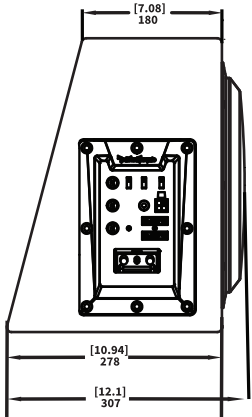
## CEA 2006



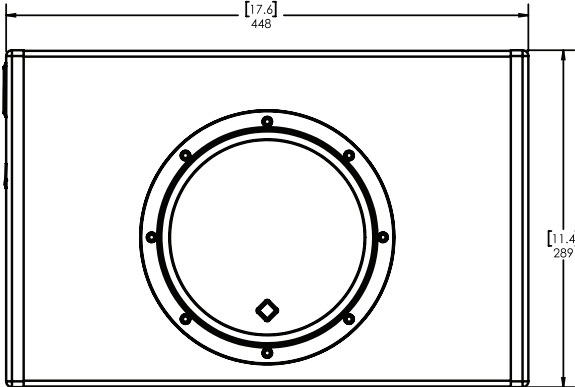
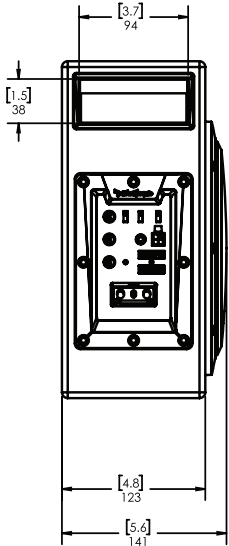
Power ratings on Rockford Fosgate amplifiers conform to CEA-2006 industry standards. These guidelines mean your amplifier's output power ratings are REAL POWER numbers, not inflated marketing ratings.



**P300-10**

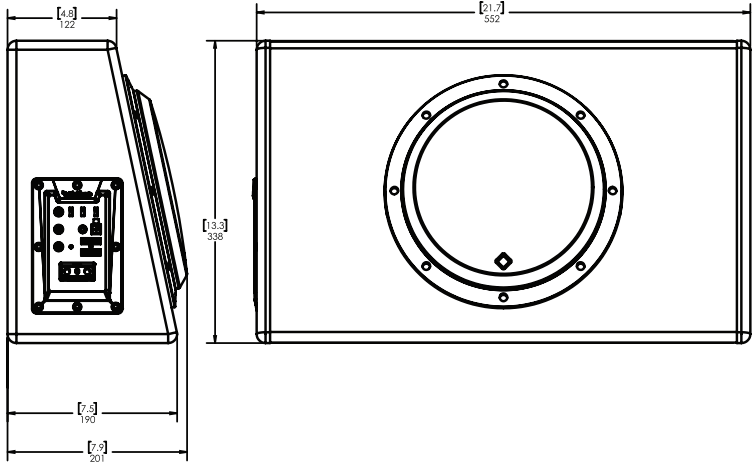


**P300-12**

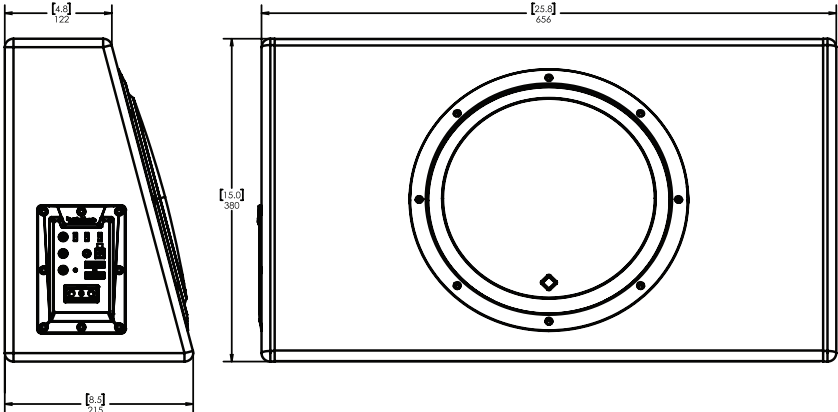


**P300-8P**

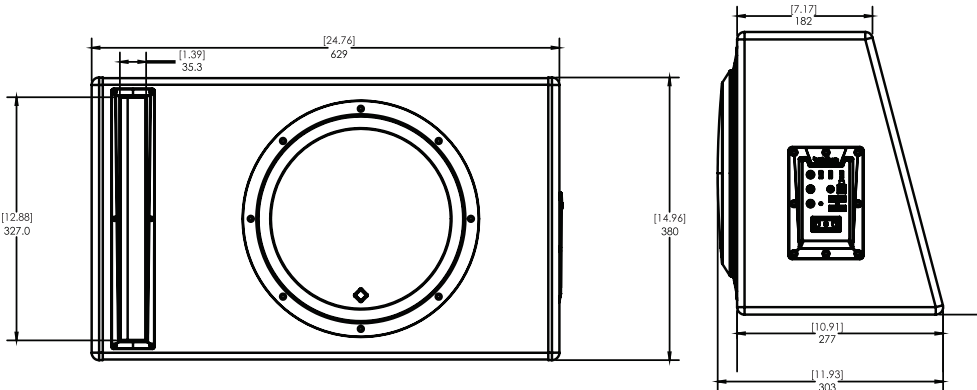




**P300-10T**



**P300-12T**



**P500-12P**

## Phase Switch

Allows you to select the output phase of the amplifier between 0° and 180°.

## Input Level

Set the Input Level switch to match the outputs of your source unit.(LO - RCA or HI - Speaker Level)

## Gain Control

The input gain control is preset to match the output of most source units.

## Auto Turn On

Three different automatic turn-on modes can be selected; REM(+12V), DC Offset, and Audio.

## Audio Input

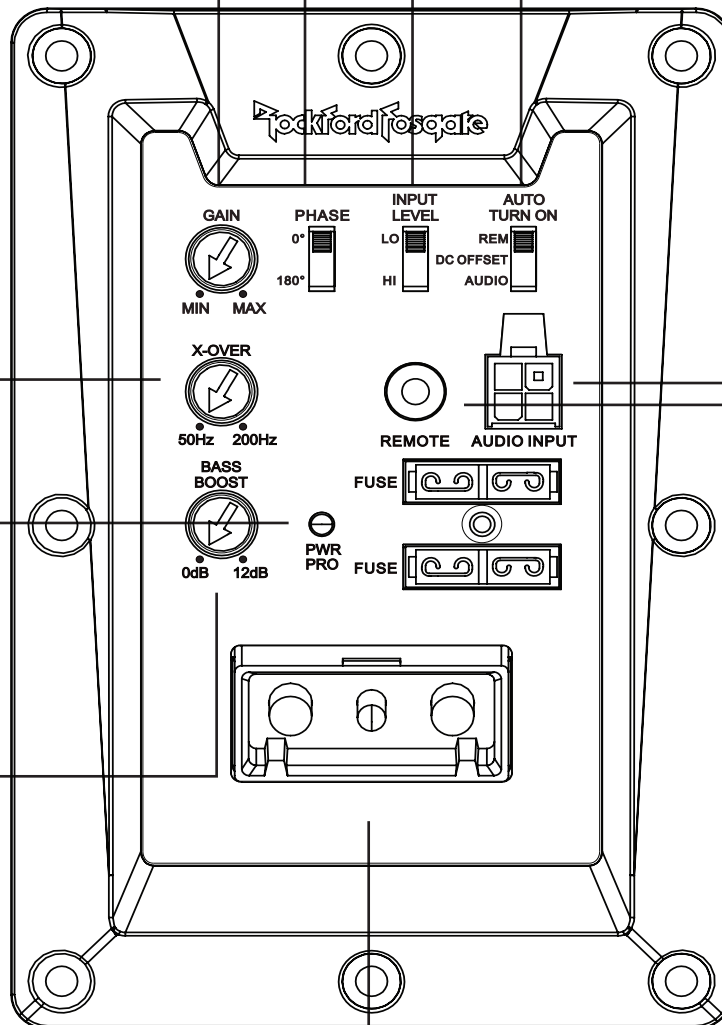
The RCA/Speaker Harness utilizes either speaker level (high-level) or RCA (low-level) inputs.

## Variable Crossover

Is a built-in 12dB/octave Butterworth filter with a crossover point variable from 50Hz to 200Hz.

## Power/Protect LED

Power LED illuminates blue when the unit is turned on. Protect LED illuminates red if a short circuit or to low of an impedance is detected at the speaker connections. The amplifier will automatically shut down if this occurs.



## Punch Bass

This is an adjustable Bass control adjustment variable from 0dB to +12dB @ 45Hz.

## Power Connector

The power connector allows for quick connection and disconnection of the amplifier's Remote, power and ground source. The power and ground are set-screw wire connectors and will accommodate 4 AWG. The remote is a set-screw wire connector and will accommodate 8 AWG.

## Remote Punch Level

When connected, the "Gain Control" is linked and allows you to remotely control the output level of the amplifier from the dash or center console.

## Contents

- Punch Powered Loaded Enclosure
- RCA/Speaker Harness
- Power Connector
- Remote Punch Level Control
- Installation & Operation Manual
- 2X 10A Fuses Spare/2X 15A Fuses Spare (P500-12P only)

## Installation Considerations

The following is a list of tools needed for installation:

- Fuse-holder and fuse. (See specifications for fuse rating)
- Volt/Ohm Meter
- Wire strippers
- Wire crimpers
- Wire cutters
- #2 Phillips screwdriver
- Battery post wrench
- Hand held drill w/assorted bits
- Assorted connectors
- Adequate Length—Red Power Wire
- Adequate Length—Remote Turn-on Wire
- Adequate Length—Black Grounding Wire

This section focuses on some of the vehicle considerations for installing your new powered loaded enclosure. Pre-planning your system layout and best wiring routes will save installation time. When deciding on the layout of your new system, be sure that each component will be easily accessible for making adjustments.

If you feel unsure about installing this system yourself, have it installed by a qualified technician.

**⚠ CAUTION** Before installation, disconnect the battery negative (-) terminal to prevent damage to the unit, fire and/or possible injury.

**⚠ CAUTION** Before beginning any installation, follow these simple rules:

1. Be sure to carefully read and understand the instructions before attempting to install the unit.
2. For safety, disconnect the negative lead from the battery prior to beginning the installation.
3. For easier assembly, we suggest you run all wires prior to mounting your unit in place.
4. Route all of the RCA cables close together and away from any high current wires.
5. Use high quality connectors for a reliable installation and to minimize signal or power loss.
6. Think before you drill! Be careful not to cut or drill into gas tanks, fuel lines, brake or hydraulic lines, vacuum lines or electrical wiring when working on any vehicle.
7. Never run wires underneath the vehicle. Running the wires inside the vehicle provides the best protection.

8. Avoid running wires over or through sharp edges. Use rubber or plastic grommets to protect any wires routed through metal, especially the firewall.

9. ALWAYS protect the battery and electrical system from damage with proper fusing. Install the appropriate fuse holder and fuse on the +12V power wire within 18" (45.7 cm) of the battery terminal.

10. When grounding to the chassis of the vehicle, scrape all paint from the metal to ensure a good, clean ground connection. Grounding connections should be as short as possible and always be connected to metal that is welded to the main body, or chassis, of the vehicle. Seatbelt bolts should never be used for connecting to ground.

## Mounting Locations

### Trunk or Passenger Compartment Mounting

Choose a structurally sound location to mount your powered loaded enclosure. Mount the enclosure in such a manner that the amplifier has a minimum of 1" (2.54cm) of air gap around the amplifier's heatsink to provide proper cooling to ensure optimum performance of the amplifier is strongly recommended.

## Battery and Charging

Amplifiers will put an increased load on the vehicle's battery and charging system. We recommend checking your alternator and battery condition to ensure that the electrical system has enough capacity to handle the increased load of your stereo system. Stock electrical systems which are in good condition should be able to handle the extra load of any Prime Series amplifier without problems, although battery and alternator life can be reduced slightly. To maximize the performance of your amplifier, we suggest the use of a heavy duty battery and an energy storage capacitor.

## Wiring the System

**⚠ CAUTION** If you do not feel comfortable with wiring your new unit, please see your local Authorized Rockford Fosgate Dealer for installation.

**⚠ CAUTION** Before installation, disconnect the battery negative (-) terminal to prevent damage to the unit, fire and/or possible injury.

**⚠ CAUTION** Avoid running power wires near the low level input cables, antenna, power leads, sensitive equipment or harnesses. The power wires carry substantial current and could induce noise into the audio system.

1. Plan the wire routing. Keep RCA cables close together but isolated from the amplifier's power cables and any high power auto accessories, especially electric motors. This is done to prevent coupling the noise from radiated electrical fields into the audio signal. When feeding the wires through the firewall or any metal barrier, protect them with plastic or rubber grommets to prevent short circuits. Leave the wires long at this point to adjust for a precise fit at a later time.

# Installation

2. Prepare the RED wire (power cable) for attachment to the amplifier by stripping 1/2" of insulation from the end of the wire. Insert the bared wire into the B+ terminal of the power connector and tighten the set screw to secure the cable in place.

NOTE: The B+ cable MUST be fused 18" or less from the vehicle's battery. Install the fuseholder under the hood and ensure connections are water tight.

3. Trim the RED wire (power cable) within 18" of the battery and splice in a inline fuse holder (not supplied). See Specifications for the rating of the fuse to be used. DO NOT install the fuse at this time.
4. Strip 1/2" from the battery end of the power cable and crimp an appropriate size ring terminal to the cable. Use the ring terminal to connect to the battery positive terminal.
5. Prepare the BLACK wire (Ground cable) for attachment to the amplifier by stripping 1/2" of insulation from the end of the wire. Insert the bare wire into the GROUND terminal of the power connector and tighten the set screw to secure the cable in place. Prepare the chassis ground by scraping any paint from the metal surface and thoroughly clean the area of all dirt and grease. Strip the other end of the wire and attach a ring connector. Fasten the cable to the chassis using a non-anodized screw and a star washer.

NOTE: Keep the length of the BLACK wire (Ground) as short as possible. Always less than 30".

6. Prepare the Remote turn-on wire for attachment to the amplifier by stripping 1/2" of insulation from the end of the wire. Insert the bared wire into the REMOTE terminal of the power connector and tighten the set screw to secure the wire in place. Connect the other end of the Remote wire to a switched 12 volt positive source. The switched voltage is usually taken from the source unit's remote amp on lead. If the source unit does not have this output available, the recommended solution is to wire a mechanical switch in line with a 12 volt source to activate the amplifier.

NOTE: In the event that a switched +12V is not available, either DC offset or Audio sense can be selected for amplifier turn-on.

7. Connect the power connector to the mating connector at the amplifier.

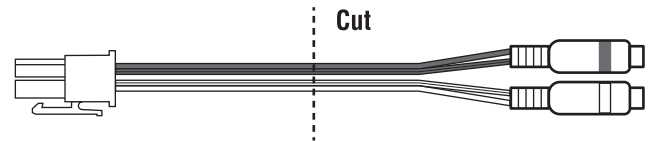
8. Connect from source signal by plugging the RCA cables into the RCA/Speaker Harness input jacks, then insert the four-pin Molex connector into the mating four pin INPUT connector at the amplifier.

	REM	LOW INPUT	HI-LEVEL INPUT	NOTES
AUTO TURN ON				
AUDIO DC OFFSET REM				Requires 4mV signal
AUDIO DC OFFSET REM				Needs 6V DC on factory speaker wires
AUDIO DC OFFSET REM				Use hi-level or low-level input

NOTE: When the installation requires a High Level(Speaker) input, the RCA/Speaker Harness will need to be cut on the speaker wire side of the y-splitter. Then connect the white to the left(+), white/black to the left(-), grey to the right(+), and grey/black to the right(-) corresponding vehicle wires.

Always ensure power is off or disconnected at the amplifier before connecting RCA cables. Failure to do so may cause damage to the amplifier and/or connected components.

illus.-4.1



## CAUTION

9. Perform a final check of the completed system wiring to ensure that all connections are accurate. Check all power and ground connections for frayed wires and loose connections which could cause problems. Install inline fuse near battery connection.

## Adjusting Gain

1. Turn amplifier gain to minimum (counter-clockwise).
2. Turn the source unit volume up to 7/8 maximum (or when distortion is just inaudible).
3. Slowly increase amplifier gain control until adequate volume is achieved.

NOTE: Best signal to noise and dynamic range are realized with gain set to minimum. For a more in depth setting procedure, contact Rockford Technical Support.



### CAUTION

Avoid setting amplifier gain high as noise and distortion will greatly increase.

## Adjusting Crossover Frequency

The crossover frequency can be adjusted between 50-200Hz. The crossover is set to LP (Low Pass) only. Turn the crossover adjustment knob all the way down. With the system playing, turn the crossover adjustment knob up slowly until the desired crossover point is achieved.

## Phase Switch

Allows you to conveniently switch the output phase of the amplifier between 0° and 180°. This has the same effect as physically reversing the Positive (+) and Negative (-) speaker wires

## Input Level

Set the Input Level switch to match the outputs of your source unit. (LO - RCA or HI - Speaker Level)

## Auto Turn On (illus.-3.1)

Three different automatic turn-on modes can be selected; REM(+12V), DC Offset, and Audio.

Remote: Set the switch to REM to use the remote turn-on lead from your source unit.

DC Offset: Set the switch to DC Offset to detect a DC offset from the HI-Level speaker outputs when the source unit has been turned on.

Audio: Set the switch to Audio to detect the incoming audio signal from your source unit and automatically turn on your powered loaded enclosure.

## Punch Bass

This works along with the crossover switch on the amplifier. When set to Low-Pass (LP) operation, this is a variable Bass Boost. Set this to your personal preference while listening to the system.

Over excursion and subsequent damage may occur at high levels of boost.

## Remote Punch Level Control



### CAUTION

When connected, the "Gain Control" is linked and allows you to remotely control the output level of the amplifier from the dash or center console..

## Troubleshooting

NOTE: If you are having problems after installation follow the Troubleshooting procedures below.

Step 1. Check Amplifier for proper connections. Verify that POWER light is on. If POWER light is on skip to Step 3, if not continue.

1. Check in-line fuse on battery positive cable. Replace if necessary.
2. Check fuse(s) on amplifier. Replace if necessary. Do not exceed 10A.
3. Verify that Ground connection is connected to clean metal on the vehicle's chassis. Repair/replace if necessary.
4. Verify there is 9 to 14.4 Volts present at the positive battery and remote turn-on cable. Verify quality connections for both cables at amplifier, stereo, and battery/fuseholder. Repair/replace if necessary.

Step 2. Protect light is on.

1. If the Protect light is on, this is a sign of a possible short in the speaker connections. Check for proper speaker connections and use a volt/ohm meter to check for possible shorts in the speaker wiring. Too low of a speaker impedance may also cause Protect to light.

Step 3. Check Amplifier for audio output.

1. Verify good RCA input connections at stereo and amplifier. Check entire length of cables for kinks, splices, etc. Test RCA inputs for AC volts with stereo on. Repair/replace if necessary.
2. Disconnect RCA input from amplifier. Connect RCA input from test stereo directly to amplifier input.

Step 4. Check Amplifier if you experience Turn-on Pop.

1. Disconnect input signal to amplifier and turn amplifier on and off.
2. If the noise is eliminated, connect the REMOTE lead of amplifier to source unit with a delay turn-on module.

OR

1. Use a different 12 Volt source for REMOTE lead of amplifier.

Step 5. Check Amplifier if you experience excess Engine Noise.

1. Route all signal carrying wires (RCA, Speaker cables) away from power and ground wires.

OR

1. Bypass any and all electrical components between the stereo and the amplifier(s). Connect stereo directly to input of amplifier. If noise goes away the unit being bypassed is the cause of the noise.

OR

1. Remove existing ground wires for all electrical components. Reground wires to different locations. Verify that grounding location is clean, shiny metal free of paint, rust etc.

OR

1. Add secondary ground cable from negative battery terminal to the chassis metal or engine block of vehicle.

OR

1. Have alternator and battery load tested by your mechanic. Verify good working order of vehicle electrical system including distributor, spark plugs, spark plug wires, voltage regulator etc.



## Particularités Techniques (illus.-2.1)

### DEL d'alimentation / DEL de protection

Cette DEL vert s'illumine lorsque l'appareil est allumé. Cette DEL rouge s'illumine si un court-circuit ou une impédance trop basse est détecté au niveau des connexions de haut-parleur. L'ampli s'éteint automatiquement si cela se produit.

### Prises d'entrée RCA

Les prises RCA de norme industrielle permettent une connexion facile pour les entrées de signaux. Ils sont plaqués de nickelés pour résister à la détérioration de signal due à l'effet de la corrosion.

### Commande de gain

La commande de gain d'entrée est pré-réglée de manière à correspondre à la sortie de la plupart des unités source. Elle peut être réglée en fonction d'une variété d'unités source.

### Filtre phase

Permet de sélectionner la phase de sortie de l'amplificateur entre 0° et 180°.

### Filtre variable

Les amplificateurs sont dotés d'un filtre de Butterworth intégré de 12dB/octave dont le point de fréquence varie entre 50 Hz et 200 Hz.

### Punch Bass

Il s'agit d'un niveau réglable Bass contrôle centré à 45 Hz @ 12dB/octave.

### à distance Niveau Punch

Lorsqu'il est connecté, le "gain" est liée et vous permet de contrôler à distance le niveau de sortie de l'amplificateur du tableau de bord ou la console centrale.

### Entrée sonore

Le harnais de RCA/Speaker utilise le haut-parleur de niveau (à niveau élevé) ou les entrées (inférieures) de RCA.

### Niveau saisi

Placez le commutateur de niveau saisi pour apparier les sorties de votre unité de source. (LO - RCA ou HI - haut-parleur de niveau)

- Porte-fusible et fusible. (Voir les spécifications concernant la capacité des fusibles)
- Voltmètre-ohmmètre
- Pince à dénuder
- Pince à sertir
- Coupe-fils
- Tournevis à embout cruciforme no 2
- Clé de borne de batterie
- Perceuse à main avec mèches assorties
- Tube thermorétractible de 1/8 po de diamètre
- Connecteurs assortis
- Longueur adéquate — Fil d'alimentation rouge
- Longueur adéquate — Fil d'allumage à distance
- Longueur adéquate — Fil de masse noir

### Automatique allumez-vous

Trois modes d'ouverture automatiques différents peuvent être choisis ; Rem (12V), décalage du courant d'obscurité, et acoustique.

### Prise d'alimentation

La prise d'alimentation tient compte de la connexion et du débranchage rapides du distant de l'amplificateur, de la puissance et de la source de la terre. La puissance et la terre sont des connecteurs de fil de vis de réglage et faciliteront 4 AWG. Le distant est un connecteur de fil de vis de réglage et facilitera 8 AWG.

## Considérations Concernant L'installation

Voici la liste d'outils requis pour l'installation :

REMARQUE: Nous recommandons l'utilisation d'un fil de 4 AWG pour les prises d'alimentation (B+) et de masse (GND).

Cette section traite de points concernant le véhicule dont il faut tenir compte pour l'installation de votre nouvel ampli. Vous sauvez du temps en planifiant à l'avance la disposition du système et du câblage. Assurez-vous,

entre autres, que chaque composant du système est facilement accessible pour les réglages.

**MISE EN GARDE :** si vous vous sentez incapable d'installer l'appareil vous-même, confiez la tâche à un technicien qualifié.

**MISE EN GARDE :** avant d'entamer l'installation, déconnectez la broche négative (-) de la batterie pour éviter tout risque de blessures, d'incendie ou de dommages à l'appareil.

Avant de commencer l'installation, suivez ces règles toutes simples :

1. Prenez soin de bien lire et comprendre les instructions avant d'installer l'appareil.
2. Par mesure de sécurité, veuillez débrancher le fil négatif de la batterie avant de commencer l'installation.
3. Pour faciliter le montage, nous vous suggérons de dérouler tous les fils avant d'installer l'appareil.
4. Acheminez tous les câbles RCA de façon groupée, à l'écart des fils à courant élevé.
5. Utilisez des connecteurs de haute qualité pour assurer une installation fiable et minimiser la perte de signal ou de puissance.
6. Réfléchissez avant de percer quoique ce soit! Faites attention de ne pas couper ou percer le réservoir d'essence, les conduites de carburant, de frein, hydrauliques ou de dépression, ou le câblage électrique lorsque vous travaillez sur un véhicule.
7. Ne faites jamais passer les fils sous le véhicule. Il vaut mieux les installer à l'intérieur du véhicule pour assurer une meilleure protection.
8. Évitez de faire passer les fils par dessus ou à travers des bords tranchants. Tout fil acheminé à travers du métal, un pare-feu en particulier, doit être protégé avec des bagues en caoutchouc ou plastique.
9. Protégez TOUJOURS la batterie et le circuit électrique des dommages potentiels à l'aide de fusibles. Installez un porte-fusible et un fusible appropriés sur le câble d'alimentation de +12 V à moins de 45,7 cm de la borne de batterie.
10. Préparez la masse du châssis en grattant toute trace de peinture de la surface métallique afin d'assurer une bonne mise à la masse. Les connexions de masse doivent être aussi courtes que possible et toujours connectées à du métal soudé à la carrosserie ou au châssis du véhicule.

## Emplacements De Montage

### Montage dans le coffre ou l'habitacle

Choisissez un emplacement structurellement sain pour monter votre rubrique de description chargée actionnée. Montez la rubrique de description de façon que l'amplificateur ait un minimum de 2,54cm de l'entrefer autour du radiateur de l'amplificateur pour fournir le refroidissement approprié pour assurer la représentation optima de l'amplificateur est vivement recommandé.

## Batterie Et Charge

Les amplificateurs exercent une charge accrue sur la batterie et le système de charge du véhicule. Nous vous conseillons de vérifier l'état de l'alternateur et de la batterie pour vous assurer que le système électrique puisse supporter la charge accrue de votre système stéréo. Les systèmes électriques ordinaires en bon état sont normalement capables de fournir sans problème la charge supplémentaire requise par les amplis Power. Toutefois, la durée de vie de la batterie et de l'alternateur peut s'en trouver affectée légèrement. Pour maximiser la performance de votre ampli, nous vous suggérons d'utiliser une batterie à usage intensif et un condensateur de stockage d'énergie.

## CÂBLAGE DU SYSTÈME (illus.-3.1 & 4.1)

**MISE EN GARDE:** si vous ne vous sentez pas à l'aise pour effectuer vous-même le câblage de votre nouvel appareil, veuillez confier l'installation à votre distributeur agréé Rockford Fosgate.

**MISE EN GARDE:** avant d'entamer l'installation, déconnectez la broche négative (-) de la batterie pour éviter tout risque de blessures, d'incendie ou

de dommages à l'appareil.

**MISE EN GARDE:** évitez de faire passer les fils d'alimentation près des câbles d'entrée de signaux faibles, de l'antenne, des câbles d'alimentation, des équipements ou faisceaux sensibles. Les fils d'alimentation transportent un courant élevé et peuvent produire du bruit dans le système audio.

1. Planifiez l'acheminement des fils. Gardez les câbles RCA ensemble mais en les isolant des câbles d'alimentation de l'ampli et des autres accessoires automobiles de forte puissance, particulièrement les moteurs électriques, pour éviter que le signal audio ne subisse d'interférence de bruit provenant de champs de rayonnement électriques. Si vous faites passer les fils par un pare-feu ou autre barrière métallique, protégez-les à l'aide de bagues en caoutchouc ou en plastique pour éviter les courts-circuits. Conservez toute la longueur des fils pour l'instant. Vous l'ajusterez plus tard.

**REMARQUE:** Nous recommandons l'utilisation d'un fil de 4AWG pour les prises d'alimentation (B+) et de masse (GND).

2. Préparez le fil d'alimentation ROUGE à connecter à l'amplificateur en dénudant son extrémité sur 13 mm. Insérez la partie dénudée dans la borne B+ de la prise d'alimentation, puis fixez le fil en vissant la vis sans tête.

**REMARQUE:** Le câble B+ DOIT comporter un fusible à 45,7 cm ou moins de la batterie du véhicule. Installez le porte-fusible sous le capot et assurez-vous que les connexions sont étanches.

3. Coupez le fil ROUGE (câble d'alimentation) à moins de 45,7 cm de la batterie et épissez un porte-fusible en ligne. Voir les Spécifications en ce qui concerne la capacité du fusible à utiliser. N'INSTALLEZ PAS le fusible pour l'instant.
4. Dénudez l'autre extrémité du fil d'alimentation sur 13 mm environ, sertissez-la dans un connecteur en anneau de taille adéquate, puis fixez celui-ci à la borne positive de la batterie.
5. Préparez le fil de masse NOIR à connecter à l'amplificateur en dénudant son extrémité sur 13 mm. Insérez la partie dénudée dans la borne GND de la prise d'alimentation, puis fixez le fil en vissant la vis sans tête. Préparez la masse du châssis en grattant toute trace de peinture de la surface métallique et en nettoyant soigneusement pour éliminer tout dépôt de saleté et de graisse. Dénudez l'autre extrémité du fil et fixez un connecteur en anneau. Fixez le câble au châssis à l'aide d'une vis non anodisée et une rondelle en étoile.

**REMARQUE:** Gardez le fil NOIR (masse) aussi court que possible. Toujours inférieur à 76,2 cm.

6. Préparez le fil de télécommande (REM) à connecter à l'amplificateur en dénudant son extrémité sur 13 mm. Insérez la partie dénudée dans la borne REM de la prise d'alimentation, puis fixez le fil en vissant la vis sans tête. Connectez l'autre extrémité du fil REM à une source positive commutée de 12 volts. La tension commutée provient généralement du câble d'allumage d'ampli de la source audio. Si la source audio ne comporte pas une telle sortie, nous recommandons de raccorder un interrupteur mécanique en ligne avec une source de 12 volts pour activer l'ampli.

**REMARQUE:** Au cas où un 12V commuté ne serait pas disponible, le décalage du courant d'obscurité ou le sens sonore peut être choisi pour la mise en fonction d'amplificateur.

7. Branchez la prise d'alimentation au connecteur de accouplement à l'amplificateur.
8. Connecter du signal source en branchant les câbles RCA dans les prises d'entrée de faisceau RCA/Enceintes, puis insérer le connecteur Molex à quatre broches dans le connecteur ENTRÉE correspondant à quatre broches au niveau de l'amplificateur.

**REMARQUE :** Lorsque l'installation requiert une entrée de Niveau fort (Enceinte), le faisceau RCA/Enceintes devra être coupé sur le côté fil d'enceinte du répartiteur en Y. Connecter ensuite le fil blanc sur la gauche (+), le fil blanc/noir sur la gauche (-), le fil gris sur la droite (+) et le fil gris/noir sur la droite

(-) correspondants aux fils de véhicules.

**MISE EN GARDE :** Assurez-vous toujours que l'alimentation est éteinte ou débranchée

au niveau de l'amplificateur avant de connecter les câbles RCA. Le non-respect de cette consigne peut entraîner des dommages pour l'amplificateur ou les éléments raccordés à celui-ci.

9. Effectuez une vérification finale du câblage pour vous assurer que toutes les connexions sont bien mises. Vérifiez toutes les connexions d'alimentation et de mise à la masse en vue de fils effilochés et de connexions desserrées pouvant causer des problèmes. Installez le fusible en ligne près de la connexion de la batterie.

## Réglage Du Gain

Procédez de la manière suivante pour chaque voie séparément.

Pour régler le gain, tournez le bouton de gain de l'ampli vers son niveau le plus bas (sens anti-horaire). Augmentez le volume de la source audio jusqu'à produire une distorsion audible, puis baissez-le jusqu'à ce que la distorsion devienne inaudible. Cela correspond généralement au maximum du volume sur la plupart des unités source. Augmentez ensuite le gain de l'ampli jusqu'à ce que le volume soit adéquat.

**REMARQUE:** Mettez le gain au minimum pour assurer le meilleur rapport signal/bruit et la meilleure gamme dynamique. Pour la plupart des utilisateurs, un réglage au milieu assure un niveau de gain et de volume adéquat.

**MISE EN GARDE:** Évitez de régler le gain de l'ampli trop haut car cela entraîne une augmentation significative du bruit et des distorsions.

**REMARQUE:** pour un réglage plus approfondi, communiquez avec le support technique de Rockford.

## Réglage De La Fréquence Du Filtre Passif

La fréquence de coupure est réglable entre 50 Hz et 200 Hz. Le filtre fonctionne en mode passe-bas seulement. Tournez le bouton de réglage du filtre à fond vers la gauche. Avec le système en marche, tournez lentement le bouton de réglage vers la droite jusqu'à la fréquence de coupure souhaitée. Une fréquence d'environ 80 Hz constitue un bon point de départ.

## Filtre Phase

Permet de sélectionner la phase de sortie de l'amplificateur entre 0° et 180°.

## Niveau Saisie

Placez le commutateur de niveau saisie pour apparier les sorties de votre unité de source. (LO - RCA ou HI - haut-parleur de niveau)

## Automatique Allumez-vous (illus.-3.1)

Trois modes d'ouverture automatiques différents peuvent être choisis ; Rem (12V), décalage du courant d'obscurité, et acoustique.

**Distant:** Placez le commutateur à REM pour utiliser le fil de sortie d'ouverture à distance à partir de votre unité de source.

**Décalage du courant d'obscurité:** Placez le commutateur au décalage du courant d'obscurité pour détecter un décalage du courant d'obscurité des sorties de haut-parleur de Salut-Level quand l'unité de source a été allumée.

**Acoustique:** Placez le commutateur à l'audio pour détecter le signal sonore entrant à partir de votre unité de source et pour allumer automatiquement votre rubrique de description chargée actionnée.

## Punch Bass

Esto funciona junto con el interruptor de cruce en el amplificador. Cuando está ajustado para la operación en Pasa Bajos (Low Pass, LP) esto es un Refuerzo de Bajos variable. Réglez-le selon votre goût tout en écoutant le système.

**MISE EN GARDE:** Évitez de régler le gain de l'ampli trop haut car cela entraîne une augmentation significative du bruit et des distorsions.

## Télécommande De Niveau Punch

Lorsqu'il est connecté, le "gain" est liée et vous permet de contrôler à distance le niveau de sortie de l'amplificateur du tableau de bord ou la console centrale.

## Dépannage

REMARQUE: si vous éprouvez des difficultés après l'installation, appliquez les procédures de dépannage ci-dessous.

Step 1. Vérifiez que les connexions de l'ampli sont bien mises. Vérifiez que le voyant POWER est allumé. Si c'est le cas, passez à l'étape 3, sinon poursuivez.

1. Vérifiez le fusible en ligne du câble positif de batterie. Effectuez un remplacement au besoin.
2. Vérifiez les fusibles de l'ampli. Effectuez un remplacement au besoin.
3. Vérifiez que la connexion demise à lamasse est branchée à une surface métallique propre du châssis du véhicule. Procédez à une réparation ou un remplacement si nécessaire.
4. Vérifiez la présence d'un courant de 9 à 16 volts au niveau de la borne positive de la batterie et du câble d'allumage à distance. Vérifiez la qualité des connexions des deux câbles au niveau de l'ampli, de la stéréo, de la batterie et du porte-fusible. Procédez à une réparation ou un remplacement si nécessaire.

Step 2. Le voyant de protection ou thermique est allumé.

1. Si le voyant de protection est activé, cela indique la présence possible d'un court-circuit dans les connexions de haut-parleur. Vérifiez le branchement des enceintes et utilisez un multimètre pour confirmer l'absence de courts-circuits dans leur câblage. Le voyant de protection peut s'allumer si l'impédance de haut-parleur est trop basse.
2. Si la luz de temperatura (Thermal) está encendida, compruebe si la impedancia del altavoz es correcta, vuelva a cablear si es necesario. Esto también puede ser una indicación de que se usa el amplificador a niveles de potencia muy altos sin tener el flujo de aire adecuado alrededor del amplificador. Apague el sistema y permita que se enfríe el amplificador. Compruebe que el sistema de carga del vehículo esté manteniendo el voltaje adecuado. Si el elemento anterior no resuelve el problema, es posible que haya una falla en el amplificador, llame a servicio al cliente para conseguir ayuda.

Step 3. Vérifiez la sortie audio de l'ampli.

1. Vérifiez que les connexions d'entrée RCA sont bonnes au niveau de la stéréo et de l'ampli. Vérifiez s'il y a des problèmes de torsion ou d'épissure tout le long des câbles, etc. Testez la présence de courant c.a. au niveau des entrées RCA lorsque la stéréo est allumée. Procédez à une réparation ou un remplacement si nécessaire.
2. Débranchez l'entrée RCA de l'ampli. Branchez l'entrée RCA de la stéréo test directement à l'entrée de l'ampli.

Step 4. Vérifiez l'ampli si un crépitement se produit lorsque vous l'allumez.

1. Débranchez le signal d'entrée reçu par l'ampli, puis allumez et éteignez l'ampli.
2. Si le bruit disparaît, connectez le fil REMOTE de l'ampli à la source audio avec un module d'allumage temporisé.

OU

1. Utilisez une source de 12Volts différente pour le fil REMOTE de l'ampli (p.ex., directement de la batterie).
2. Si le bruit disparaît, utilisez un relais pour isoler l'ampli du signal de bruit du démarrage.

Step 5. Vérifiez l'ampli si un bruit de moteur excessif se produit.

1. Acheminez tous les fils de signal (RCA, câbles de haut-parleur) à l'écart des fils d'alimentation ou demasse.

OU

1. Contournez tous les composants électriques situés entre la stéréo et l'ampli. Connectez la stéréo directement à l'entrée de l'ampli. Si le bruit disparaît, l'unité contournée est la cause du bruit.

OU

1. Retirez les fils demasse de tous les composants électriques. Branchez

de nouveau les fils à lamasse, mais à des emplacements différents. Vérifiez que ceux-ci sont propres, que le métal est brillant sans trace de peinture, ni rouille, etc.

OU

1. Ajoutez un deuxième fil demasse allant de la borne négative de la batterie au métal du châssis ou au bloc-moteur du véhicule.

OU

1. Faites effectuer par votre mécanicien un essai de charge au niveau de l'alternateur et de la batterie. Vérifiez que le circuit électrique du véhicule fonctionne correctement, notamment le distributeur, les bougies et leurs câbles, le régulateur de tension, etc.



## Características Del Diseño (illus.-2.1)

### LED de alimentación / LED de protección

Este LED verde se ilumina cuando se enciende la unidad. Este LED rojo se ilumina si se detecta un corto circuito o una impedancia demasiado baja en las conexiones del altavoz. El amplificador se apagará automáticamente si esto sucede.

### Entrada de información audio

El harness de RCA/Speaker utiliza el altavoz llano (de alto nivel) o las entradas de información (bajas) de RCA.

### Control de ganancia

El control de ganancia de entrada está precalibrado para que iguale la salida de la mayoría de las unidades fuente. Se puede ajustar para que iguale los niveles de salida de una variedad de unidades fuente.

### Fase variable

Le permite seleccionar la fase de salida del amplificador entre 0° y 180°.

### X-Over (transición) variable

Los amplificadores tienen un filtro Butterworth de 12dB/octava incorporado, con un punto de transición variable de 50Hz a 200Hz.

### Punch Bass

Este es un nivel ajustable de graves de control centrado en 12dB/octave @ 45Hz.

### Control remoto de nivel Punch

Cuando se conecta, el "Control de ganancia" está vinculado y le permite controlar de forma remota el nivel de salida del amplificador de guión o la consola central.

### Nivel de introducción de datos

Fije el interruptor del nivel de introducción de datos para corresponder con las salidas de su unidad de la fuente. (LO - RCA o HI - altavoz llano)

### Auto gírese

- |   |   |
|---|---|
| • Portafusibles y fusible (Consulte la capacidad de los fusibles en las especificaciones) | brocas  |
| • Voltímetro / Ohmetro  | • Tubo termoretráctil de 1/8 pulgada de diámetro    |
| • Pelacables  | • Variedad de conectores                            |
| • Tenaza engarzadora de cables  | • Largo adecuado—Cable rojo para corriente          |
| • Cortador de cables  | • Largo adecuado—Cable de encendido remoto          |
| • Destornillador Phillips No. 2   | • Largo adecuado—Cable negro para conexión a tierra |
| • Llave para bornes de batería  |   |
| • Taladro manual con distintas  |   |

Tres diversos modos de abertura automáticos pueden ser seleccionados; Desplazamiento del REM (12V), de la C.C., y audio.

### Conector de potencia

El conector de potencia permite la conexión y la desconexión rápidas del telecontrol del amplificador, de la potencia y de la fuente de la tierra. La potencia y la tierra son conectores del alambre del tornillo de presión y acomodarán AWG 4. El telecontrol es un conector del alambre del tornillo de presión y acomodará AWG 8.

## Consideraciones Para La Instalación

La siguiente es una lista de las herramientas necesarias para la instalación: NOTA: Nosotros recomendamos un alambre calibre 4 AWG para ser usado con las conexiones de alimentación (B+) y tierra (GND).

Esta sección se concentra en algunas de las consideraciones para su vehículo para instalar el nuevo amplificador. La planificación previa del diagrama de su sistema y las mejores rutas del cableado ayudarán a ahorrar tiempo en la instalación. Cuando se decida sobre el diagrama de su nuevo sistema, asegúrese de que cada componente esté accesible para realizar ajustes.

PRECAUCIÓN: Si no está seguro sobre cómo instalar el sistema usted

mismo, pídale a un técnico calificado que lo instale.

PRECAUCIÓN: Antes de la instalación, desconecte el terminal negativo de la batería (-) para prevenir daño a la unidad, incendio y/o posibles lesiones. Antes de comenzar la instalación, siga estas normas simples:

1. Asegúrese de leer y entender cuidadosamente las instrucciones antes de intentar instalar la unidad.
2. Para mayor seguridad, desconecte el electrodo negativo de la batería antes del comienzo de la instalación.
3. Para facilitar el montaje, le sugerimos que pase todos los cables antes de montar la unidad fuente en su lugar.
4. Pase todos los cables RCA juntos y lejos de recorridos de cables de alta corriente.
5. Use conectores de alta calidad para obtener una instalación fiable y reducir la pérdida de potencia.
6. ¡Piense antes de perforar! Tenga cuidado de no cortar o perforar el tanque de combustible, las líneas de combustible, líneas de frenos o hidráulicas, líneas de vacío o cableado eléctrico cuando trabaje en cualquier vehículo.
7. Nunca pase los cables por debajo del vehículo. Pasar los cables por el interior del vehículo ofrece la mejor protección.
8. Evite pasar los cables sobre o por bordes filosos. Use anillos de goma o plástico para proteger los cables pasados a través del metal, especialmente el muro contra fuego.
9. Proteja SIEMPRE la batería y el sistema eléctrico contra daños usando los fusibles apropiados. Instale el portafusible apropiado y el fusible en el cable de +12V de potencia a una distancia máxima de 45,7 cm del terminal de la batería.
10. Cuando conecte el chasis del vehículo a tierra, quite la pintura del metal para asegurar una conexión a tierra buena y limpia. Las conexiones de toma de tierra deberán ser las más cortas posibles y deberán estar siempre conectadas al metal que está soldado al cuerpo principal, o chasis del vehículo.

## Lugares De Montaje

### Instalación en el maletero o la cabina de pasajeros

Elija una ubicación estructural sana para montar su recinto cargado accionado. Monte el recinto de manera que el amplificador tenga un mínimo de los 2.54cm del hueco de aire alrededor del disipador de calor del amplificador para proporcionar al enfriamiento apropiado para asegurar el funcionamiento óptimo del amplificador se recomienda fuertemente.

## Batería y Carga

Los amplificadores aplicarán una carga mayor en la batería del vehículo y en el sistema de carga de la misma. Le recomendamos que compruebe el estado del alternador y la batería para asegurarse de que el sistema eléctrico tenga capacidad suficiente para manejar la mayor carga de su sistema estereofónico. Los sistemas eléctricos estándar que se encuentren en buen estado deben ser capaces de manejar la carga adicional del amplificador serie Power sin problemas, aún cuando es posible que se acorte ligeramente la duración de la batería y el alternador. Para maximizar el rendimiento de su amplificador, sugerimos que use una batería de servicio pesado y un capacitor para el almacenamiento de energía.

## Cableado del Sistema (illus.-3.1 & 4.1)

PRECAUCIÓN: Si no se siente capaz de instalar el cableado de su nueva unidad, por favor consulte a su Distribuidor Autorizado Rockford Fosgate local sobre la instalación.

PRECAUCIÓN: Antes de la instalación, desconecte el terminal negativo de la batería (-) para prevenir daño a la unidad, incendio o posibles lesiones.

PRECAUCIÓN: Evite pasar los cables de alimentación cerca de los cables de entrada de bajo nivel, de la antena, de los conductores de alimentación, de equipo sensible o de cableados preformados. Los cables de alimentación llevan bastante corriente y podrían inducir ruido en el sistema de audio.

1. Planifique la ruta de cableado. Mantenga los cables RCA juntos pero aislados de los cables de alimentación del amplificador y de cualquier

accesorio del automóvil de alta potencia, especialmente de motores eléctricos. Esto se hace para evitar ruido de acoplamiento de campos eléctricos irradiantes en la señal de audio. Cuando pase los cables por el muro contra fuego o por cualquier barrera metálica, protéjalos con anillos de plástico o goma para evitar cortos circuitos. Deje los cables largos para poder ajustarlos posteriormente en forma precisa.

NOTA: Nosotros recomendamos un alambre calibre 4 AWG para ser usado con las conexiones de alimentación (B+) y tierra (GND).

2. Prepare el cable ROJO (cable de alimentación) para fijarlo al amplificador pelando 13 mm de aislamiento del extremo del cable. Inserte el cable pelado en el terminal B+ del conector de potencia y apriete el tornillo de fijación para fijar el cable en su sitio.

NOTA: Se DEBE instalar un fusible en el cable B+ a 45,7 cm o menos de distancia de la batería del vehículo. Instale el porta-fusibles abajo del capó / cofre y asegúrese de que las conexiones sean herméticas.

3. Recorte el cable ROJO (cable de alimentación) a menos de 45,7 cm de la batería y empálmelo en un portafusibles en línea. Consulte en las especificaciones de la capacidad del fusible que debe usar. NO instale el fusible en este momento.
4. Pele 13 mm del extremo de la batería del cable de alimentación y conecte a presión un terminal de anillo del tamaño correcto al cable. Use el terminal de anillo para conectar al borne positivo de la batería.
5. Prepare el cable NEGRO (cable de tierra) para fijarlo al amplificador pelando 13mm de aislamiento del extremo del cable. Inserte el cable sin aislación en el terminal GND (tierra) del conector de potencia y ajuste el tornillo de fijación para asegurar el cable en su lugar. Prepare la conexión a tierra en el chasis raspando la pintura de la superficie de metal y limpie minuciosamente el polvo y la grasa del área. Pele el otro extremo del cable y conecte un anillo conector. Ajuste el cable al chasis con un tornillo no anodizado y una arandela en estrella.

NOTA: Mantenga el largo del cable NEGRO (tierra) lo más corto posible. Siempre menos de 76,2 cm.

6. Prepare el cable de encendido remoto para fijarlo al amplificador pelando 13 mm de aislamiento del extremo del cable. Inserte el cable pelado en el terminal REM del conector de potencia y apriete el tornillo de fijación para fijar el cable en su sitio. Conecte el otro extremo del cable REM a una fuente de alimentación conmutada de 12 voltios. El voltaje conmutado normalmente se toma del cable de encendido del amplificador remoto. Si la unidad de fuente no tiene esta salida disponible, la solución recomendada es cablear un interruptor mecánico en línea con una fuente de 12 voltios para activar el amplificador.

NOTA: En caso que un 12V cambiado no esté disponible, o DC compensado o el sentido audio se puede seleccionar para el excitamiento del amplificador.

7. Conecte el conector de potencia con el conector de acoplamiento en el amplificador.
8. Conecte desde la señal de origen enchufando los cables RCA en los conectores del arnés de entrada RCA/altavoz, luego inserte el conector Molex de cuatro clavijas en el conector de ENTRADA complementario en el amplificador.

NOTA: Cuando la instalación exige una entrada de alto nivel (altavoz), se deberá cortar el arnés RCA/Altavoz en el lado del cable del altavoz del divisor "y". Luego conecte el cable blanco al (+) izquierdo, banco/negro al (-) izquierdo, gris al (+) derecho y gris/negro al (-) derecho de los cables correspondientes del vehículo.

PRECAUCIÓN: Asegúrese siempre de que la alimentación esté apagada en el amplificador antes de conectar cables RCA. No hacerlo podría causar daños al amplificador y/o a los componentes conectados.

9. Realice un control final del cableado terminado del sistema para asegurarse de que todas las conexiones son precisas. Verifique que no haya cables pelados ni conexiones sueltas en ninguna de las conexiones de poder y a tierra que podrían causar problemas. Instale el fusible cerca de la conexión de la batería.

### Ajuste De Ganancia

Para ajustar la ganancia, gire las ganancias del amplificador totalmente hacia abajo (sentido contra horario). Suba el volumen de la unidad de origen hasta que pueda escuchar la distorsión y luego gire hacia abajo un poco hasta que no se pueda escuchar la distorsión. Esto será hasta arriba en la mayoría de las unidades fuentes. Luego, aumente el ajuste de ganancia del amplificador hasta que se obtenga un volumen adecuado. Las unidades fuentes.

NOTA: Se obtiene la mejor relación de ruido y gama dinámica con la ganancia mínima. La mayoría de los usuarios encuentran que se obtiene un volumen y ganancia adecuados en la mitad de la gama de ajustes.

PRECAUCIÓN: Evite ajustar la ganancia del amplificador en un valor demasiado alto pues aumentará mucho el ruido y la distorsión.

NOTA: Para un procedimiento de calibración más detallado, comuníquese con el Departamento de Asistencia Técnica de Rockford.

### Ajuste De Lafrecuencia X-Over (Transición)

La frecuencia de cruce se puede ajustar entre 50 y 200 Hz. El cruce está configurado sólo para la operación con pasa bajos (LP). Gire la perilla de ajuste del cruce totalmente hacia abajo. Con el sistema reproduciendo, gire lentamente hacia arriba la perilla de ajuste de la frecuencia de cruce hasta que se logre el punto de cruce deseado. Un buen sitio para comenzar es a aproximadamente 80Hz.

### Interruptor De Fase

Le permite seleccionar la fase de salida del amplificador entre 0° y 180°.

### Nivel de introducción de datos

Fije el interruptor del nivel de introducción de datos para corresponder con las salidas de su unidad de la fuente. (LO - RCA o HI - altavoz llano)

### Auto gírese

Tres diversos modos de abertura automáticos pueden ser seleccionados: Desplazamiento del REM (12V), de la C.C., y audio.

Alejado: Fije el interruptor a REM para utilizar el terminal de componente de abertura alejado de su unidad de la fuente.

C.C. compensada: Fije el interruptor a DC compensan para detectar DC compensado de las salidas de altavoz del Hola-Level cuando se ha girado la unidad de la fuente.

Audio: Fije el interruptor al audio para detectar la señal audio entrante de su unidad de la fuente y para girar automáticamente su recinto cargado accionado.

### Punch Bass (illus.-3.1)

Esto funciona junto con el interruptor de cruce en el amplificador. Cuando está ajustado para la operación en Pasa Bajos (Low Pass, LP) esto es un Refuerzo de Bajos variable. Ajuste esto de acuerdo a su preferencia personal mientras escucha al sistema.

PRECAUCIÓN: A altos niveles de aumento de potencia puede producirse una sobrecarga y posteriormente daños.

### Control Remoto De Nivel Punch

Cuando está conectado le permite controlar de manera remota el nivel de salida del amplificador.

### Solución De Problemas

NOTA: Si tiene problemas después de la instalación, siga los procedimientos de solución de problemas descritos a continuación.

Step 1. Verifique que el amplificador esté bien conectado. Compruebe que esté encendida la luz de ALIMENTACIÓN (POWER). Si la luz de ALIMENTACIÓN (POWER) está encendida vaya al Paso 3, de otra manera, continúe.

1. Compruebe el fusible en línea en el cable positivo de la batería. Cambie si es necesario.
2. Compruebe los fusibles en el amplificador. Cambie si es necesario.
3. Compruebe que la conexión a tierra esté conectada a metal limpio en el chasis del vehículo. Repare o cambie si es necesario.
4. Compruebe que haya 9 - 14.4 voltios en el positivo de la batería y en

el cable de encendido de la unidad remota. Compruebe la calidad de las conexiones de ambos cables en el amplificador, estéreo y batería / portafusibles. Repare o cambie si es necesario.

Step 2. La luz de protección (Protect) o temperatura (Thermal) está encendida.

1. Si la luz de protección está encendida, es una indicación de que posiblemente haya un corto en las conexiones del altavoz. Compruebe que las conexiones del altavoz estén bien hechas y use un multímetro para comprobar si hay un corto en el cableado de los altavoces. Una impedancia de altavoz demasiado baja también puede causar que se ilumine la luz de protección.
2. Si la luz de temperatura (Thermal) está encendida, compruebe si la impedancia del altavoz es correcta, vuelva a cablear si es necesario. Esto también puede ser una indicación de que se usa el amplificador a niveles de potencia muy altos sin tener el flujo de aire adecuado alrededor del amplificador. Apague el sistema y permita que se enfríe el amplificador. Compruebe que el sistema de carga del vehículo esté manteniendo el voltaje adecuado. Si el elemento anterior no resuelve el problema, es posible que haya una falla en el amplificador, llame a servicio al cliente para conseguir ayuda.

Step 3. Compruebe la salida de sonido del amplificador.

1. Compruebe si las conexiones de entrada RCA están bien en el estéreo y el amplificador. Compruebe a lo largo del cable para ver si está retorcido, empalmado, etc. Pruebe las entradas RCA para determinar los voltajes de CA teniendo el estéreo encendido. Repare o cambie si es necesario.
2. Desconecte la entrada RCA del amplificador. Conecte la entrada RCA desde el estéreo de prueba directamente a la entrada del amplificador.

Step 4. Verifique el amplificador si tiene chasquidos al encender.

1. Desconecte la señal de entrada al amplificador y encienda y apague el amplificador.
2. Si el ruido se elimina, conecte el conductor REMOTO del amplificador a la unidad fuente con un módulo de encendido de retardo.

O

1. Use una fuente de 12 voltios distinta para el conductor REMOTO del amplificador (ejemplo, directo a la batería).
2. Si el ruido se elimina, use un relé para aislar el amplificador de la salida de encendido ruidosa.

Step 5. Verifique el amplificador si siente excesivo ruido de motor.

1. Pase todos los cables que llevan señales (RCA, cables de altavoces) lejos de los cables de alimentación y de tierra.

O

1. Desvíe cualquiera y todos los componentes eléctricos entre el estéreo y los amplificadores. Conecte el estéreo directamente a la entrada del amplificador. Si el ruido desaparece el componente que está siendo desviado es la causa del ruido.

O

1. Quite los cables a tierra existentes de todos los componentes eléctricos. Vuelva a conectarlos a tierra en lugares diferentes. Verifique que el sitio de conexión a tierra esté limpio, que sea metal brillante sin pintura, óxido, etc.

O

1. Añada un cable a tierra secundario desde el terminal negativo de la batería al chasis de metal o al bloque del motor del vehículo.

O

1. Haga que un mecánico pruebe la carga del alternador y la batería. Verifique que el sistema eléctrico del vehículo esté en orden, incluyendo el distribuidor, las bujías, los cables de las bujías, el regulador de voltaje, etc.

## Designcharakteristiken (illus.-2.1)

### Betriebs-LED / Schutz-LED

Diese LED leuchtet auf Grün, wenn das Gerät betriebsbereit ist. Diese LED leuchtet auf Rot, wenn ein Kurzschluss oder eine zu geringe Impedanz an den Lautsprecheranschlüssen erkannt wird. Wenn dies eintritt, schaltet sich der Verstärker automatisch aus.

### Audioinput

Das RCA/Speaker Geschirr verwendet entweder den Sprecher, der waagrecht ausgerichtet ist (hochrangig) oder (RCAs, niedriges) Input.

### Lautstärkeregler

Der Eingangslautstärkeregler ist werkseitig so eingestellt, dass er der Leistung der meisten Source-Geräte entspricht. Er kann den Ausgangspegel einer Vielzahl von Source-Geräten angepasst werden.

### Phasenschalter

Erlaubt die Wahl der Ausgangsphase des Verstärkers zwischen 0° und 180°.

### Variierbares Crossover Tiefpassbetrieb

Die Verstärker haben einen eingebauten 12dB/Oktav Butterworth-Filter mit einem von 50 Hz bis 200 Hz variierbaren Crossover-Punkt.

### Punch-Bass

Dies ist ein Bass-Regler einstellbar zwischen 0dB und 12dB @ 45Hz.

### Punch-Pegel-Fernbedienung

Wenn eine Verbindung, die "Gain Control" ist verknüpft und ermöglicht es Ihnen, der Ferne kontrollieren Sie den Ausgangspegel des Verstärkers aus dem Bindestrich oder Center-Konsole.

### Erfassungsebene

Stellen Sie den Input-Niveauschalter, um die Ausgaben Ihrer Quelleinheit abzugleichen. (LO - RCA oder HI - Sprecher waagrecht ausgerichtet)

### Selbst schalten Sie ein

Drei unterschiedliche automatische Drehung-auf Modi können ausgewählt

- Sicherungsfassung und Bohrerstippen
- Sicherung. (Siehe Technische Daten für Bemessungsstrom)
- Spannungs- und Widerstandsmesser
- Abisolierzange
- Drahtkripper
- Drahtschere
- Kreuzschraubenzieher Nr. 2
- Batteriestützenschlüssel
- Handbohrer mit verschiedenen
- Schrumpfschlauch (3 mm Durchmesser)
- Verschiedene Anschlusssteile
- Angemessene Länge—Rotes Stromkabel
- Angemessene Länge—Fernbedienungsanschaltkabel
- Angemessene Länge—Schwarzes Erdungskabel

werden; Ausgleich Rem (12V), Gleichstromes und Audio.

### Energie-Verbindungsstück

Das Energieverbindungsstück lässt schnellen Anschluss und Trennung der entfernten Station des Verstärkers, der Energie und der Bodenquelle zu. Die Energie und der Boden ist Klemmschraubendrahtverbindungsstücke und wird AWG-Lehre 4 anpassen. Die entfernte Station ist ein Klemmschraubendrahtverbindungsstück und wird AWG-Lehre 8 anpassen.

## Einbauüberlegungen

Die nachfolgenden Werkzeuge werden für den Einbau benötigt:

HINWEIS: Wir empfehlen Draht der Stärke 4AWG für die Strom- (B+) und Masse-Anschlüsse (GND).

Dieser Abschnitt konzentriert sich auf Erwägungen hinsichtlich des Einbaus Ihres neuen Verstärkers im Fahrzeug. Vorausplanung Ihres Systemlayouts und der besten Verkabelungsrouten spart Zeit beim Einbau. Prüfen Sie bei der Wahl eines Layouts für Ihr neues System, ob alle Komponenten leicht erreichbar sind, um Einstellungen vorzunehmen.

VORSICHT: Wenn Sie beim Einbau des Geräts unsicher sind, lassen Sie es bitte von einem qualifizierten Rockford Fosgate Techniker einbauen.

VORSICHT: Entfernen Sie vor dem Einbau den negativen Batteriepol, um Schäden am Gerät, Feuer bzw. mögliche Verletzungen zu vermeiden.

Befolgen Sie vor dem Einbau diese einfachen Regeln:

1. Lesen Sie die Anleitung sorgfältig, bevor Sie versuchen das Gerät einzubauen.
2. Entfernen Sie vor dem Einbau aus Sicherheitsgründen das negative Kabel von der Batterie.
3. Um die Montage zu erleichtern, empfehlen wir, alle Kabel vor der Befestigung des Source-Geräts zu verlegen.
4. Verlegen Sie alle RCA-Kabel dicht zusammen und im Abstand zu jeglichen Hochstromkabeln.
5. Verwenden Sie nur Qualitätsstecker, um einen verlässlichen Einbau zu gewährleisten und Signal- und Stromverlust zu minimieren.
6. Denken Sie nach, bevor Sie bohren! Achten Sie darauf, nicht in den Benzintank, die Benzin-, Brems- oder hydraulische Leitungen, Vakuumleitungen oder Elektrokabel zu schneiden oder zu bohren, wenn Sie an einem Fahrzeug arbeiten.
7. Verlegen Sie Kabel nie unter dem Fahrzeug. Die Kabel im Fahrzeug zu verlegen, bietet den besten Schutz.
8. Vermeiden Sie es, Kabel über scharfe Kanten zu verlegen. Verwenden Sie Gummi- oder Plastikringe, um Kabel zu schützen, die durch Metall verlegt werden (besonders die Feuerwand).
9. Schützen Sie die Batterie und das elektrische System IMMER durch ordnungsgemäße Sicherungen vor Schäden. Installieren Sie die entsprechende Sicherungshalterung und Sicherung auf dem +12V Stromkabel maximal 45,7 cm vom Batteriepol.
10. Kratzen Sie bei der Erdung über das Fahrgestell alle Farbe vom Metall, um eine gute, saubere Erdungsverbindung zu gewährleisten. Erdungsverbindungen sollten so kurz wie möglich und stets an Metall angeschlossen sein, das an die Karosserie oder das Fahrgestell geschweißt ist.

## Befestigungsstellen

### Einbau im Kofferraum oder Innenraum

Beschließen Sie einen strukturell soliden Standort, um Ihre angeschaltete einprogrammiert Einschließung einzuhängen. Hängen Sie die Einschließung ein, derart, dass der Verstärker ein Minimum 2,54cm der Luftfunkenstrecke um den Kühlkörper des Verstärkers hat, zum des richtigen Abkühlens bereitzustellen zu optimale Leistung des Verstärkers sicherzustellen wird stark empfohlen.

## Batterie Undaufladung

Verstärker belasten die Fahrzeugbatterie und das Ladesystem zusätzlich. Wir empfehlen, die Lichtmaschine und den Batteriezustand zu überprüfen, um zu gewährleisten, dass das elektrische System genügend Kapazität hat, um die zusätzliche Belastung durch Ihr Stereosystem zu verkraften. Gewöhnliche elektrische Systeme, die sich in gutem Zustand befinden, sollten in der Lage sein, die zusätzliche Belastung durch einen beliebigen Verstärker der Power-Serie problemlos zu verkraften, jedoch kann sich die Lebensdauer der Batterie und Lichtmaschine etwas reduzieren. Wir empfehlen die Verwendung einer hochbelastbaren Batterie und eines Energiespeicherungskondensators, um die Leistung Ihres Verstärkers zu maximieren.

## Verkabelung Des Systems (illus.-3.1 & 4.1)

VORSICHT: Wenn Sie beim Einbau des Geräts unsicher sind, lassen Sie es bitte von einem qualifizierten Rockford Fosgate Techniker einbauen.

VORSICHT: Entfernen Sie vor dem Einbau den negative Batteriepol, um Schäden am Gerät, Feuer bzw. mögliche Verletzungen zu vermeiden.

VORSICHT: Vermeiden Sie es, Stromkabel in der Nähe von niedrigaktiven Eingangskabeln, der Antenne, Stromleitungen, empfindlichem Gerät oder Halterungen zu verlegen. Die Stromkabel leiten erheblichen Strom und können Geräusche im Audiosystem verursachen.

1. Planen Sie die Kabelrouten. Die RCA-Kabel sollen dicht zusammen bleiben, aber von den Stromkabeln des Verstärkers und anderem Hochleistungszubehör, insbesondere von elektrischen Motoren isoliert sein. Dies dient dazu, die Kupplung von Geräuschen aus elektrischen



Strahlungsfeldern in das Audiosignal zu verhindern. Werden Kabel durch die Feuerwand oder andere Metallbarrieren geführt, die Kabel zur Vermeidung von Kurzschlüssen mit Plastik- oder Gummiringen schützen. Die Kabel zunächst etwas länger lassen und erst später exakt anpassen.

**HINWEIS:** Wir empfehlen Draht der Stärke 4AWG für die Strom- (B+) und Masse-Anschlüsse (GND).

- Das ROTE Kabel (Stromkabel) durchabisolieren von 13 mm am Kabelende zur Befestigung am Verstärker vorbereiten. Das blanke Kabel in den B+-Anschluss einführen und die Einstellschraube zur Befestigung des Kabels anziehen.

**HINWEIS:** Das B+-Kabel muss maximal 45,7 cm von der Fahrzeugbatterie mit einer Sicherung ausgestattet sein. Den Sicherungshalter unter der Motorhaube anbringen und gewährleisten, dass die Anschlüsse wasserdicht sind.

- Das ROTE Kabel (Stromkabel) maximal 45,7 cm von der Batterie abisolieren und einen Inline-Sicherungshalter einspleißen. Der Bemessungsstrom der zu verwendenden Batterie ist in den Technischen Daten aufgeführt. Zunächst noch KEINE Sicherung einsetzen.
- 13 mm vom Batterieende des Stromkabels abisolieren und einen Ringadapter von geeigneter Größe an das Kabel crimpen. Den Ringadapter zum Anschließen an den positiven Anschluss der Batterie benutzen.

- Das SCHWARZE Kabel (Erdungskabel) zur Befestigung am Verstärker durch Abziehen von 13 mm der Isolation am Kabelende vorbereiten. Das freigelegte Kabel in den GND-Pol einführen und die Befestigungsschraube anziehen. Den Untergrund am Fahrgestell durch Abkratzen der Farbe von der Metalloberfläche und sorgfältiges Reinigen des Bereichs von Schmutz und Schmiere vorbereiten. Die Isolation am anderen Ende des Kabels abziehen und einen ringförmigen Stecker anbringen. Das Kabel mittels einer nichteloxierten Schraube und einer Sternunterlegscheibe am Fahrgestell befestigen.

**HINWEIS:** Die Länge des SCHWARZEN Kabels (Erde) sollte so kurz wie möglich gehalten werden, jedoch stets maximal 76,2 cm.

- Das Fernbedienungseinschaltkabel durchabisolieren von 13 mm am Kabelende zur Befestigung am Verstärker vorbereiten. Das blanke Kabel in den Fernbedienungsanschluss einführen und die Einstellschraube zur Befestigung des Kabels anziehen. Das andere Ende des Fernbedienungskabels an eine geschaltete, positive 12V-Quelle anschließen. Die geschaltete Spannung wird gewöhnlich vom Einschaltanschluss für externe Verstärker am Source-Gerät genommen. Ist ein solcher Anschluss am Source-Gerät nicht vorhanden, wird empfohlen, einen mechanischen Schalter in eine Leitung mit einer 12V-Quelle einzubauen, um den Verstärker zu aktivieren.

**HINWEIS:** Im Falle, dass ein geschaltetes 12V nicht, entweder verfügbar ist, Gleichstrom-Ausgleich oder Audiorichtung können für Verstärker Drehung auf ausgewählt werden.

- Schließen Sie das Energieverbindungsstück an das fügende Verbindungsstück am Verstärker an.
- Vom Source-Signal anschließen, indem die RCA-Kabel in die Eingangsbuchsen des RCA-/Lautsprecher-Kabelbaums gesteckt werden und das 4-stiftige Molex-Anschlussstück dann in den zusammensteckbaren 4-stiftigen EINGANGS-Anschluss am Verstärker eingeführt wird.

**HINWEIS:** Wenn der Einbau einen Hochpegel- (Lautsprecher) Eingang erfordert, muss der RCA-/Lautsprecher-Kabelbaum auf der Lautsprecherkabelseite des Y-Verteilers abgeschnitten werden. Dann die weißen an den linken (+), die weiß-schwarzen an den linken (-), die grauen an den rechten (+) und die grau-schwarzen an den entsprechenden rechten (-) Fahrzeugdrähten anschließen.

**VORSICHT:** Stets gewährleisten, dass der Betriebsschalter ausgeschaltet oder das Stromkabel vom Verstärker abgezogen ist, bevor RCA-Kabel angeschlossen werden. Geschieht dies nicht, können der Verstärker und/oder die angeschlossenen Komponenten beschädigt werden.

- Eine abschließende Prüfung des gesamten Kabelsystems durchführen, um zu gewährleisten, dass alle Verbindungen akkurat sind. Alle Strom- und Erdungsverbindungen auf durchgeriebene Kabel und lose Verbindungen prüfen, die Probleme verursachen könnten. Inline-Sicherung in der Nähe des Batterieanschlusses einbauen.

## Lautstärke (Gain) Einstellen

Zur Einstellung der Lautstärke die Lautstärkereglern des Verstärkers ganz nach unten stellen (nach links drehen). Die Lautstärke des Source-Geräts erhöhen, bis eine Verzerrung hörbar ist, dann ein wenig verringern, bis die Verzerrung nicht mehr hörbar ist. An den meisten Source-Geräten bedeutet dies ganz nach oben. Als Nächstes die Lautstärkeeinstellung des Verstärkers erhöhen, bis eine adäquate Lautstärke erreicht ist.

**HINWEIS:** Der beste Rauschabstand und Dynamikbereich werden bei einer auf das Minimum gestellten Lautstärke erreicht. Die meisten Benutzer finden, dass adäquate Lautstärke etwa in der Mitte des Einstellungsbereichs erzielt wird.

**VORSICHT:** Vermeiden Sie, die Verstärkerlautstärke sehr hoch einzustellen, da Geräusche und Verzerrung sich dadurch wesentlich erhöhen.

**HINWEIS:** Kontaktieren Sie den technischen Kundendienst von Rockford für genauere Einstellungsverfahren.

## Crossover-Frequenzeinstellen

Die Crossover-Frequenz kann zwischen 50 Hz bis 200 Hz eingestellt werden. Das Crossover ist nur auf Tiefpass (LP) eingestellt. Den Crossover-Regler ganz nach unten drehen. Während das System spielt, den Crossover-Regler langsam nach oben drehen, bis der gewünschte Crossover-Punkt erreicht ist. Ein guter Ausgangspunkt liegt bei etwa 80 Hz.

## Phasenschalter

Erlaubt die Wahl der Ausgangsphase des Verstärkers zwischen 0° und 180°.

## Erfassungsebene

Stellen Sie den Input-Niveauschalter, um die Ausgaben Ihrer Quelleinheit abzugleichen. (LO - RCA oder HI - Sprecher waagrecht ausgerichtet)

## Selbst schalten Sie ein (illus.-3.1)

Drei unterschiedliche automatische Drehung-auf Modi können ausgewählt werden; Ausgleich Rem (12V), Gleichstromes und Audio.

Entfernte Station: Stellen Sie den Schalter auf REM, um die entfernte Station Drehung-auf Führung von Ihrer Quelleinheit zu benutzen.

Gleichstrom ausgeglichen: Stellen Sie den Schalter auf Gleichstrom-Ausgleich, um einen Gleichstrom zu entdecken, der von den Hallo-Stufigen Sprecherausgaben ausgeglichen wird, wenn die Quelleinheit eingeschaltet worden ist.

Audio: Stellen Sie den Schalter auf Audio, um das ankommende Audiosignal von Ihrer Quelleinheit zu entdecken und Ihre angeschaltete einprogrammiert Einschließung automatisch einzuschalten.

## Punch-Bass

Dies funktioniert gemeinsam mit dem Crossover-Schalter am Verstärker. Bei Einstellung auf Tiefpassbetrieb (LP) handelt es sich um eine variable Verstärkung der Bässe. Nehmen Sie Ihre persönliche Einstellung während des Zuhörens vor.

**VORSICHT:** Übermäßige Auslenkung und nachfolgender Schaden können bei hohen Boost-Pegeln entstehen.

## Punch-Pegel-Fernbedienung

Wenn eine Verbindung, die "Gain Control" ist verknüpft und ermöglicht es Ihnen, die Ferne kontrollieren Sie den Ausgangspegel des Verstärkers aus dem Bindestrich oder Center-Konsole.

## Fehlerbeseitigung

**HINWEIS:** Falls Sie nach dem Einbau Probleme haben, befolgen Sie die nachfolgenden Verfahren zur Fehlerbeseitigung:

- Den Verstärker auf ordnungsgemäße Anschlüsse überprüfen. Prüfen, ob die BETRIEBS-LED aufleuchtet. Leuchtet die BETRIEBS-

## Deutsch

LED auf, bei Schritt 3 weitermachen, falls nicht, hier weitermachen.

1. Die Sicherung auf dem positiven Batteriekabel überprüfen und nach Bedarf ersetzen.
2. Die Sicherung(en) am Verstärker überprüfen und nach Bedarf ersetzen.
3. Überprüfen, ob der Erdungsanschluss an blankem Metall am Fahrgestell des Fahrzeugs angeschlossen ist. Nach Bedarf reparieren oder ersetzen.
4. Überprüfen, ob an der positiven Batterie und am Fernbedienungseinschaltkabel 9 bis 14,4 Volt anliegen. Die Qualität der Anschlüsse für beide Kabel am Verstärker, Stereosystem und Batterie- bzw. Sicherungshalter überprüfen. Nach Bedarf reparieren oder ersetzen.

Step 2. Schutz- oder Thermallicht leuchtet auf.

1. Falls das Schutzlicht aufleuchtet, bedeutet dies, dass möglicherweise ein Kurzschluss in den Lautsprecheranschlüssen vorliegt. Überprüfen, ob die Lautsprecher ordnungsgemäß angeschlossen sind. Den ordnungsgemäßen Anschluss der Lautsprecher überprüfen und mit einem Spannungs-/Widerstandsmesser auf mögliche Kurzschlüsse in den Lautsprecherkabeln testen. Eine zu niedrige Lautsprecherimpedanz kann ebenfalls dazu führen, dass das Schutzlicht aufleuchtet.
2. Leuchtet die Thermal-LED auf, die Lautsprecherimpedanz überprüfen und ggf. neu verkabeln. Dies kann auch ein Zeichen dafür sein, dass der Verstärker auf sehr hoher Leistung gefahren wird, ohne dass adäquater Luftstrom um den Verstärker herum vorhanden ist. Das System ausschalten und den Verstärker abkühlen lassen. Überprüfen, ob das Ladesystem des Fahrzeugs die erforderliche Spannung aufrechterhält. Sollte keiner dieser Schritte Abhilfe schaffen, ist der Verstärker möglicherweise defekt. Rufen Sie dann den Kundendienst an.

Step 3. Den Verstärker auf Audioleistung überprüfen.

1. Gewährleisten Sie, dass gute RCA-Eingangsanschlüsse am Stereosystem und Verstärker vorliegen. Die gesamte Länge der Kabel auf Knicke, Splice usw. überprüfen. Die RCA-Eingänge bei eingeschaltetem Stereosystem auf Wechselspannung überprüfen. Nach Bedarf reparieren bzw. ersetzen.
2. Den RCA-Eingang vom Verstärker entfernen. Den RCA-Eingang vom Prüf-Stereosystem direkt an den Verstärkereingang anschließen.

Step 4. Prüfen, ob beim Anstellen des Verstärkers ein Knackern auftritt.

1. Das Eingangssignal zum Verstärker entfernen und den Verstärker ein- und ausschalten.
2. Ist das Geräusch eliminiert, die FERNBEDIENUNGS-Ader des Verstärkers mit einem Verzögerungseinschaltmodul am Source-Gerät anschließen.

ODER

1. Eine andere 12V-Quelle für die FERNBEDIENUNGS-Ader des Verstärkers (z.B. Batterie direkt) verwenden.
2. Falls das Geräusch eliminiert ist, ein Relais zur Isolierung des Verstärkers von Schaltgeräuschen verwenden.

Step 5. Den Verstärker auf übermäßige Motorengeräusche prüfen.

1. Alle signalübertragenden Kabel (RCA-, Lautsprecherkabel) von Strom- und Erdungskabeln entfernt verlegen.

ODER

1. Alle elektrischen Komponenten zwischen der Stereoanlage und dem/den Verstärker(n) umgehen. Die Stereoanlage direkt am Verstärkereingang anschließen. Falls das Geräusch eliminiert ist, ist das umgangene Gerät die Ursache des Geräuschs.

ODER

1. Die vorhandenen Erdungskabel aller elektrischen Komponenten entfernen. Die Kabel an anderen Stellen wieder erden. Prüfen, ob die Erdungsstelle sauberes, glänzendes Metall ist, das frei von Farbe, Rost usw. ist.

ODER

1. Ein zweites Erdungskabel vom Negativpol der Batterie zum Fahrgestellmetall oder Motorblock des Fahrzeugs hinzufügen.

ODER

1. Die Drehstromlichtmaschine und Batterieladung von ihrem Mechaniker prüfen lassen. Die ordnungsgemäße Funktion des elektrischen Systems am Fahrzeug prüfen, und zwar einschließlich des Verteilers, der Zündkerzen, der Zündkerzenkabel, des Spannungsreglers usw.

## Caratteristiche Del Design (illus.-2.1)

### LED alimentazione / LED di protezione

Questo LED verde si accende quando l'unità viene accesa. Questo LED rosso si accende se viene rilevato un corto circuito o un'impedenza troppo bassa ai collegamenti con i diffusori. In tal caso, l'amplificatore si spegne automaticamente.

### Audio input

Il cablaggio di RCA/Speaker utilizza l'altoparlante livellato (ad alto livello) o input (a basso livello) di RCA.

### Comando del guadagno

Il comando del guadagno d'ingresso è stato prerogolato per essere conforme con l'uscita della maggiore parte delle unità di fonte. Può essere regolato in modo da conformarsi ai livelli di uscita provenienti da una varietà di unità di fonte.

### Fase variabile

Consente di selezionare la fase in uscita dell'amplificatore tra 0° e 180°.

### Frequenza di incrocio variabile

Gli amplificatori hanno un filtro Butterworth incorporato da 12dB/ottava con un punto di incrocio variabile dai 50Hz ai 200Hz.

### Punch Bass

Si tratta di un livello di controllo dei bassi regolabili tra 0dB a +12dB @ 45Hz.

### Comando a distanza di livello Punch

Quando è collegato, il "Gain Control" è collegata e vi permette di controllare in remoto il livello di uscita del amplificatore dal centro trattino o console.

### Livello di ingresso

Imposti l'interruttore del livello di ingresso per abbinare le uscite della vostra unità di sorgente. (LO - RCA o HI - altoparlante livellato)

### Automatico accenda

I tre modi d'apertura automatici differenti possono essere selezionati; Stampa

- Portafusibile e fusibile. (Per informazioni sulla portata dei fusibili, consultare le specifiche.)
- Voltmetro/ohmetro
- Pinze spelafili
- Pinze raggrinzafili
- Pinze tagliafili
- Cacciavite a croce no.2
- Chiave per morsetto batteria
- Trapano e punte assortite
- Guaina termoretraibile avente un diametro di 0,32 cm
- Connettori vari
- Lunghezza adeguata—Filo di tensione rosso
- Lunghezza adeguata—Filo di accensione a telecomando
- Lunghezza adeguata—Filo di massa nero

offset di rem (12V), di CC ed audio.

### Connettore di potenza

Il connettore di potenza tiene conto il collegamento e la disconnessione rapidi del periferico dell'amplificatore, dell'potenza e della sorgente di messa a terra. L'potenza e la terra sono connettori del cavo della vite di arresto ed accomoderanno l'AWG 4. Il periferico è un connettore del cavo della vite di arresto ed accomoderà l'AWG 8.

## Considerazioni Sull'installazione

Segue un elenco degli utensili necessari per eseguire l'installazione:

NOTA: Per il collegamento di alimentazione (B+) e massa (GND) consigliamo di usare conduttori di misura 4 AWG.

Questa sezione si concentra su alcune considerazioni a livello di veicolo inerenti all'installazione del vostro nuovo amplificatore. Programmando a priori la configurazione del vostro sistema audio nonché i migliori cablaggi, risparmierete tempo durante l'installazione. Quando avrete deciso la miglior configurazione per il vostro nuovo sistema audio, assicuratevi di poter accedere facilmente a ciascuna componente per effettuare le regolazioni necessarie.

ATTENZIONE: Se avete dei dubbi circa l'installazione, rivolgetevi ad un tecnico qualificato Rockford Fosgate.

ATTENZIONE: Prima dell'installazione, scollegate il terminale negativo (-) della batteria per evitare danni all'unità, pericoli d'incendio e/o potenziali lesioni personali.

Prima di iniziare qualsiasi operazione d'installazione, vi consigliamo di seguire queste semplici regole:

1. Assicuratevi di aver letto tutte le istruzioni con cura e di averle capite prima di effettuare qualsiasi tentativo d'installazione nei confronti dell'unità.
2. Per motivi di sicurezza, scollegate il cavo negativo dalla batteria prima di dare l'avvio all'installazione.
3. Per facilitare l'installazione, vi consigliamo di far scorrere tutti i cavi prima di montare la vostra unità di fonte nell'ubicazione desiderata.
4. Fate passare tutti i cavi RCA vicini l'uno all'altro ma lontano da fili ad alta tensione.
5. Usate connettori di alta qualità per garantire un'installazione che dà affidamento e per ridurre al minimo la perdita di segnali o di potenza.
6. State attenti prima di trapanare! Cercate di non trapanare e di non tagliare i serbatoi della benzina; le condutture del carburante, dei freni, del sistema idraulico e a depressione; nonché i fili elettrici quando state lavorando su qualsiasi veicolo.
7. Non fate mai scorrere i fili sotto il veicolo. Avrete la protezione migliore facendo scorrere i fili all'interno del veicolo.
8. Evitate di far scorrere i fili sopra o attraverso delle estremità affilate. Usate guarnizioni di tenuta in gomma o in plastica per proteggere qualsiasi filo che passi attraverso del metallo, soprattutto il paraframma.
9. Proteggete SEMPRE sia la batteria che il sistema elettrico usando fusibili adatti. Installate sia un fusibile che un portafusibile adeguati sul filo a tensione da +12V entro 45,7 cm dal terminale della batteria.
10. Quando eseguite la messa a terra del telaio del veicolo, raschiate tutta la vernice dal metallo per assicurarvi un collegamento a terra pulito e saldo. I collegamenti a terra dovrebbero essere più corti possibile e sempre a contatto di metallo che sia saldato all'autotelaio del veicolo.

## Posizionamento

### Montaggio nel bagagliaio o scampartimento passeggeri

Scelga una posizione strutturalmente sana per montare il vostro sistema di chiusura caricato alimentato. Monti il sistema di chiusura in maniera tale che l'amplificatore abbia un minimo di 2,54cm della lacuna di aria intorno al dissipatore di calore dell'amplificatore per fornire il raffreddamento adeguato per assicurare la prestazione ottimale dell'amplificatore è raccomandata vivamente.

## Batteria E Caricamento

Gli amplificatori rappresentano un ulteriore carico sulla batteria e sul sistema di caricamento del veicolo. Si consiglia di controllare la condizione dell'alternatore e della batteria per assicurarsi che il sistema elettrico sia in grado di far fronte al carico aggiuntivo dovuto al sistema stereofonico. I sistemi elettrici standard in buone condizioni dovrebbero poter far fronte al carico supplementare di qualsiasi amplificatore della serie Power senza alcun problema, sebbene la vita della batteria nonché quella dell'alternatore potrebbero ridursi leggermente. Per sfruttare al massimo le prestazioni del vostro amplificatore, vi consigliamo di utilizzare una batteria robusta ed un condensatore ad accumulazione di energia.

## Cablaggio Del Sistema (illus.-3.1 & 4.1)

ATTENZIONE: Se avete dei dubbi circa l'installazione, rivolgetevi ad un tecnico qualificato della Rockford Fosgate.

ATTENZIONE: Prima dell'installazione, scollegate il terminale negativo (-) della batteria per evitare danni all'unità, pericoli d'incendio e/o potenziali lesioni personali.

ATTENZIONE: Evitate di far scorrere i fili elettrici vicino ai cavi d'entrata a basso livello, allebantenne, ai cavi di tensione, ad attrezzature sensibili o a cablaggi preassemblati. I fili elettrici portano una tensione notevole e potrebbero indurre rumori dentro il sistema audio.

1. Programmate il cablaggio dei fili. Tenete i fili RCA insieme ma isolati dai cavi a tensione dell'amplificatore e da qualsiasi accessorio auto ad alta tensione, soprattutto i motori elettrici. Ciò è necessario per evitare che il rumore proveniente da campi elettrici irradiati possa accoppiarsi con il segnale audio. Quando fate scorrere i fili attraverso il parafiamma o attraverso qualsiasi barriera metallica, proteggerli con delle guarnizioni di tenuta in gomma o in plastica per evitare i cortocircuiti. Lasciate i fili piuttosto lunghi a questo punto; più tardi potrete regolare la loro lunghezza in modo più preciso.

NOTA: Per il collegamento di alimentazione (B+) e massa (GND) consigliamo di usare conduttori di misura 4 AWG.

2. Preparare il filo ROSSO (cavo di alimentazione) per il collegamento all'amplificatore, rimuovendo circa 13 mm di isolante dall'estremità del filo. Inserire la parte scoperta del cavo nel terminale B+ del connettore di potenza e stringere la vite di arresto per fissarlo in posizione.

NOTA: Il cavo B+ DEVE avere un fusibile a non più di 45,7 cm dalla batteria del veicolo. Installare il portafusibili sotto il cofano e verificare che i collegamenti siano a tenuta stagna.

3. Tagliare il cavo ROSSO (alimentazione) entro 45,7 cm dall'amplificatore e inserire un portafusibili in linea. Per informazioni sulla portata dei fusibili da usare, consultare il capitolo Specifiche. NON installare il fusibile a questo punto.
4. Spelare 13 mm dall'estremità sul lato batteria del cavo di alimentazione e strozzare sul cavo un terminale ad anello di dimensione opportuna. Servirsi del terminale ad anello per collegare il cavo al positivo della batteria.
5. Preparare il filo NERO (cavo della messa a terra) per poterlo attaccare all'amplificatore, spelando via 13 mm di isolante dall'estremità del filo. Inserire il filo spelato dentro il terminale GND del connettore di potenza e stringete la vite di arresto per fissare il cavo. Preparate la messa a terra del telaio raschiando via la vernice dalla superficie metallica e pulitela accuratamente, rimuovendo ogni traccia di lubrificazione e di sudiciume. Spelate l'altra estremità del filo e attaccategli un serrafili ad anello. Fissate il cavo al telaio usando una vite non anodizzata e una rondella a stella.

NOTA: Far in modo che il cavo NERO (Massa) sia il più corto possibile. Sempre meno di 76,2 cm.

6. Preparare il cavo di accensione REM per il collegamento all'amplificatore, rimuovendo circa 13 mm di isolante dall'estremità del filo. Inserire la parte scoperta del cavo nel terminale REM del connettore di potenza e stringere la vite di arresto per fissarlo in posizione. Collegare l'altro estremo del cavo REM a una fonte positiva commutata a 12V. La tensione commutata proviene generalmente cavo dell'accensione remota dell'amplificatore dell'unità di fonte. Qualora l'unità sorgente non avesse tali uscite disponibili, la soluzione consigliata consiste nel cablare un commutatore meccanico in linea con una fonte da 12 volt per attivare l'amplificatore.

NOTA: Nel caso in cui un 12V passato non sia disponibile, la stampa offset di CC o l'audio senso può essere selezionato per eccitazione dell'amplificatore.

7. Nel caso in cui un 12V passato non sia disponibile, la stampa offset di CC o l'audio senso può essere selezionato per eccitazione dell'amplificatore.
8. Collegare dalla fonte di segnale inserendo i cavi RCA nei jack d'ingresso del cablaggio RCA/diffusori, quindi inserire il connettore Moles a quattro pin nel connettore INGRESSO a quattro pin sull'amplificatore.

NOTA: Quando l'installazione richiede un ingresso Livello alto (diffusori), il cablaggio RCA/diffusori dovrà essere tagliato sul lato dei fili dei diffusori dello sdoppiatore a Y. Quindi collegare il bianco al corrispondente cavo di sinistra (+) del veicolo, il bianco/nero a quello di sinistra (-), il grigio a quello di destra (+) e il grigio/nero a quello di destra (-).

ATTENZIONE: Prima di collegare i cavi RCA accertarsi sempre che l'amplificatore sia spento e scollegato. Se non lo si fa, si rischia di danneggiare l'amplificatore e/o i componenti a esso collegati.

9. Eseguite un controllo finale dell'intero cablaggio del sistema per assicurarvi che tutti i collegamenti siano corretti. Controllate tutti i collegamenti di tensione e di massa per la presenza di fili sfrangiati o di collegamenti allentati che potrebbero dar luogo a problemi. Installare il fusibile in linea vicino al collegamento della batteria.

### Regolazione Del Guadagno

Per regolare l'impostazione per il guadagno, abbassare completamente i guadagni per l'amplificatore (ruotando in senso antiorario). Alzare il volume dell'unità di fonte finché la distorsione non diventi udibile, e poi abbassarlo finché la distorsione non sia più udibile. Nella maggior parte delle unità, ciò avviene quasi al volume massimo. Quindi aumentare il guadagno dell'amplificatore fino a quando il volume è al livello desiderato.

NOTA: Il miglior rapporto segnale-rumore e la massima gamma dinamica si ottengono con il guadagno al minimo. Per la maggior parte degli utenti, il guadagno e il volume ottimali sono circa a metà dell'intervallo di valori.

ATTENZIONE: Si consiglia di non selezionare un guadagno troppo alto per non avere troppo rumore e distorsione.

NOTA: Per una procedura di regolazione più dettagliata, vi preghiamo di contattare l'assistenza tecnica della Rockford.

### Regolazione Della Frequenza Di Incrocio

La frequenza di crossover può essere regolata tra 50Hz ai 200Hz. Il crossover è impostato solo su operazione LP (passa basso). Ruotare la manopola di regolazione del crossover del tutto in basso. Con il sistema in funzione, ruotare la manopola di regolazione per aumentare la frequenza di crossover lentamente fino a raggiungerne il punto di crossover desiderato. Un buon valore da cui iniziare è circa 80 Hz.

### Regolatore Di Fase

Consente di selezionare la fase in uscita dell'amplificatore tra 0° e 180°.

### Livello di ingresso

Imposti l'interruttore del livello di ingresso per abbinare le uscite della vostra unità di sorgente. (LO - RCA o HI - altoparlante livellato)

### Automatico accenda (illus.-3.1)

I tre modi d'apertura automatici differenti possono essere selezionati; Stampa offset di rem (12V), di CC ed audio.

Periferico: Imposti l'interruttore a REM per usare il cavo d'apertura a distanza dalla vostra unità di sorgente.

CC stampata in offset: Imposti l'interruttore alla stampa offset di CC per individuare una CC stampata in offset dalle uscite dell'altoparlante del Ciao-Level quando l'unità di sorgente è stata accesa.

Audio: Imposti l'interruttore ad audio per individuare l'audio segnale ricevuto dalla vostra unità di sorgente e per accendere automaticamente il vostro sistema di chiusura caricato alimentato.

### Punch Bass

Questo funziona assieme all'interruttore di crossover sull'amplificatore. Quando è impostato su operazione Low-Pass (LP), questo rappresenta un valore variabile di aumento dei bassi. Impostare il comando sul valore preferito mentre si ascolta.

ATTENZIONE: A livelli elevati di intensità si potrebbe raggiungere il limite della corsa, causando danni all'unità.

### Comando Distanza Del Livello Punch

Quando è collegato, il "Gain Control" è collegata e vi permette di controllare in remoto il livello di uscita del amplificatore dal centro trattino o console.

### Individuazione/Riparazione Guasti

NOTA: Se incontrate dei problemi dopo l'installazione, seguite le procedure per la localizzazione e la riparazione dei guasti elencate di sotto.



Step 1. Controllate che l'amplificatore abbia i collegamenti adeguati.

Controllate che la spia dell'ACCENSIONE sia accesa. Se la spia di ACCENSIONE è accesa, passare al numero 3, altrimenti continuare

1. Controllare il fusibile in linea sul cavo positivo della batteria. Sostituire, se necessario.
2. Controllare il fusibile sull'amplificatore. Sostituire, se necessario.
3. Controllate che lamessa a terra sia collegata al metallo non verniciato del telaio del veicolo. Se necessario, effettuare riparazioni o sostituzioni.
4. Controllate che ci siano dai 9 ai 14.4 volt di tensione al cavo positivo della batteria e al cavo di accensione del comando a distanza. Controllate che ci siano collegamenti di qualità per entrambi i cavi con l'amplificatore, l'impianto stereofonico e la batteria/portafusibili. Se necessario, effettuare riparazioni o sostituzioni.

Step 2. Gli indicatori luminosi per la protezione o la temperatura sono accesi .

1. Se l'indicatore di protezione è acceso, ciò può indicare un corto circuito nel collegamento con gli altoparlanti. Controllare che i diffusori siano collegati correttamente e servirsi di un voltmetro/ohmetro per verificare che non ci siano cortocircuiti nei loro collegamenti. L'indicatore di protezione si può accendere anche in caso di impedenza dell'altoparlante troppo bassa.
2. Se la spia termica si accende, controllare che l'impedenza dei diffusori sia corretta e modificare il cablaggio se necessario. Ciò può anche indicare che si stanno fornendo all'amplificatore livelli di potenza molto alti senza adeguata ventilazione dell'unità. Spegnerne il sistema e lasciare che l'amplificatore si raffreddi. Controllare che l'impianto di carica del veicolo mantenga la tensione corretta. Se questi punti non correggono il problema, potrebbe esserci un guasto nell'amplificatore; per supporto, mettersi in contatto con l'assistenza clienti.

Step 3. Controllare le uscite audio dell'amplificatore.

1. Controllare che sia il sistema stereofonico che l'amplificatore siano collegati correttamente all'entrata RCA. Controllare che lungo l'intera lunghezza dei cavi non ci siano attorcigliamenti, giunture, ecc. Verificare che alle entrate RCA non si abbia corrente alternata con il sistema stereofonico acceso. Se necessario, effettuare riparazioni o sostituzioni.
2. Scollegare l'ingresso RCA dall'amplificatore. Collegare l'ingresso RCA al sistema stereofonico di prova direttamente all'ingresso dell'amplificatore.

Step 4. Controllate l'amplificatore se si verificasse uno schiocco al momento dell'accensione.

1. Scollegate il segnale d'entrata verso l'amplificatore; spegnete e riaccendete l'amplificatore.
2. Se il rumore venisse eliminato, collegate il cavo a tensione REMOTE dell'amplificatore all'unità di fonte con un modulo di accensione ad azione ritardata.

OPPURE

1. Usate una fonte da 12 volt diversa per il cavo a tensione REMOTE dell'amplificatore (in altri termini, direttamente dalla batteria).
2. Se il rumore venisse eliminato, usate un relé per isolare l'amplificatore da entrate ed uscite rumorose al momento dell'accensione.

Step 5. Controllate l'amplificatore se si verificasse un rumore eccessivo a livello del motore.

1. Fate scorrere tutti i fili che portano segnali (RCA, cavi degli altoparlanti) lontano dalla tensione e dai fili della messa a terra.

OPPURE

1. Bipassate tutte le componenti elettriche tra il sistema stereofonico e l'amplificatore(i). Collegare il sistema stereofonico direttamente all'entrata dell'amplificatore. Se il rumore sparisse, vuol dire che l'unità bipassata è la fonte del rumore.

OPPURE

1. Rimuovete i fili della messa a terra esistenti per tutte le componenti elettriche. Ricollegateli alla terra in ubicazioni diverse. Controllate che

l'ubicazione della messa a terra sia una superficie metallica pulita, senza verniciature, ruggine, ecc.

OPPURE

1. Aggiungete un cavo secondario per la messa a terra dal terminale negativo della batteria al metallo del telaio o del monoblocco del veicolo.

OPPURE

1. Fate esaminare sia l'alternatore che la carica della batteria dal vostro meccanico. Controllate che il sistema elettrico del veicolo sia funzionante, compreso il distributore, le candele, i fili delle candele, il regolatore di tensione, ecc.

# Warranty

---

**Rockford Corporation offers a limited warranty on Rockford Fosgate products on the following terms:**

## **Length of Warranty**

Speakers, Signal Processors, PRIME and PUNCH Amplifiers – 1 Year  
POWER Amplifiers – 2 Years  
Any Factory Refurbished Product – 90 days (receipt required)

## **What is Covered**

This warranty applies only to Rockford Fosgate products sold to consumers by Authorized Rockford Fosgate Dealers in the United States of America or its possessions. Product purchased by consumers from an Authorized Rockford Fosgate Dealer in another country are covered only by that country's Distributor and not by Rockford Corporation.

## **Who is Covered**

This warranty covers only the original purchaser of Rockford product purchased from an Authorized Rockford Fosgate Dealer in the United States. In order to receive service, the purchaser must provide Rockford with a copy of the receipt stating the customer name, dealer name, product purchased and date of purchase.

Products found to be defective during the warranty period will be repaired or replaced (with a product deemed to be equivalent) at Rockford's discretion.

## **What is Not Covered**

1. Damage caused by accident, abuse, improper operations, water, theft, shipping.
2. Any cost or expense related to the removal or reinstallation of product.
3. Service performed by anyone other than Rockford or an Authorized Rockford Fosgate Service Center.
4. Any product which has had the serial number defaced, altered, or removed.
5. Subsequent damage to other components.
6. Any product purchased outside the U.S.
7. Any product not purchased from an Authorized Rockford Fosgate Dealer.

## **Limit on Implied Warranties**

Any implied warranties including warranties of fitness for use and merchantability are limited in duration to the period of the express warranty set forth above. Some states do not allow limitations on the length of an implied warranty, so this limitation may not apply. No person is authorized to assume for Rockford Fosgate any other liability in connection with the sale of the product.

## **How to Obtain Service**

Contact the Authorized Rockford Fosgate Dealer you purchased this product from. If you need further assistance, call 1-800-669-9899 for Rockford Customer Service. You must obtain an RA# (Return Authorization number) to return any product to Rockford Fosgate. You are responsible for shipment of product to Rockford.

## **EU Warranty**

This product meets the current EU warranty requirements, see your Authorized dealer for details.