



AUTOMOTIVE

820013

The 6 inch Discovery Car Audio System offers superior sound, tailor-made for car use with outstanding performance, shallow design and a robust construction which will offer you excellent sound in you car for many years! The set contains 2 pcs. of R1904/613001 tweeter (19 mm) and 2 pcs. of 16W/4434G00 woofer (165 mm), 2 cross overs, special cables and grills.



KEY FEATURES:

- Midwoofers with EURO-DIN mounting chassis
- 2-Way Crossovers with tweeter protection
- Shallow Mounting Dimensions
- Very power full Neo magnet motor system
- Alu Die cast Chassis
- Patented NRSC Fibre Glass Cone

T-S Parameters (tweeter/woofer)

Resonance frequency [fs]	1000/55 Hz
Mechanical Q factor [Qms]	8.03/3.06
Electrical Q factor [Qes]	2.02/0.56
Total Q factor [Qts]	1.61/0.48
Force factor [Bl]	1.4/4.8 Tm
Mechanical resistance [Rms]	0.18/1.41 kg/s
Moving mass [Mms]	0.23/12.5 g
Compliance [Cms]	0.11/0.67 mm/N
Effective diaph. diameter [D]	1.1/6.6 mm
Effective piston area [Sd]	3.8/138 cm ²
Equivalent volume [Vas]	0.002/17.9 l
Sensitivity (2.83V/1m)	90 dB
Ratio Bl/√Re	0.85/2.77 N/√W
Ratio fs/Qts	620/116 Hz

Notes:

IEC specs. refer to IEC 60268-5 third edition.
All Scan-Speak products are RoHS compliant.
Data are subject to change without notice.
Datasheet updated: February 26, 2016.

Electrical Data (tweeter/woofer)

Nominal impedance [Zn]	4 Ω
Minimum impedance [Zmin]	3.3/3.8 Ω
Maximum impedance [Zo]	13.4/19.4 Ω
DC resistance [Re]	2.7/3 Ω
Voice coil inductance [Le]	0.02/0.35 mH

Power Handling

100h RMS noise test (IEC 17.1)*	100 W
Long-term max power (IEC 17.3)*	200 W

*Filter: 2nd order - 3000 Hz

Voice Coil & Magnet Data (tweeter/woofer)

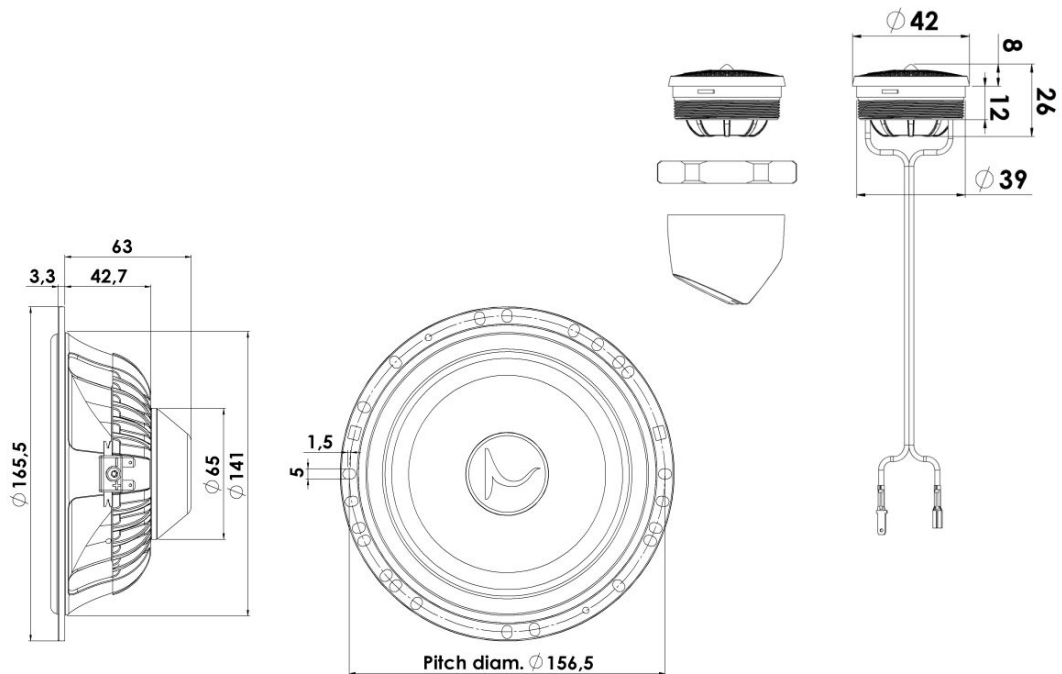
Voice coil diameter	19/32 mm
Voice coil height	1.8/12 mm
Voice coil layers	2/2
Height of gap	2/4 mm
Linear excursion	± 0.1/4 mm
Max mech. excursion	± 1.6/8 mm
Unit weight	0.05/0.6 kg



DISCOVERY

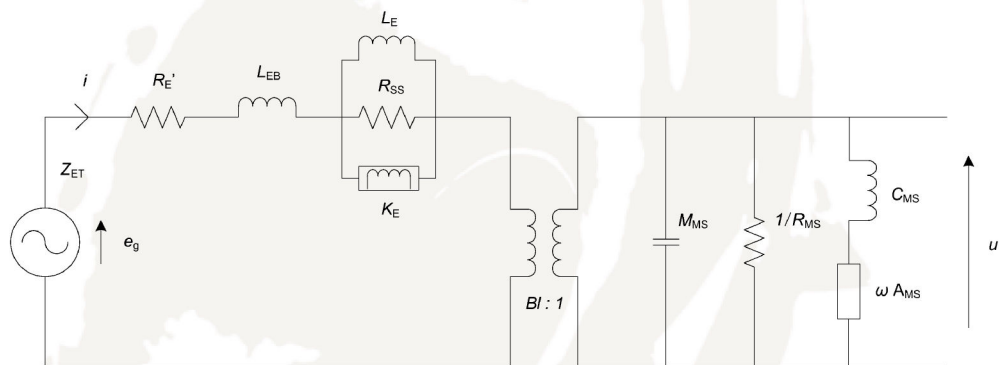
AUTOMOTIVE

820013



— On-axis — 30° off-axis — 60° off-axis — Impedance

Advanced Parameters (Preliminary)



Electrical data (tweeter/woofer)

Resistance [Re']	-/3.18 Ω
Free inductance [Leb]	-/0.0561 mH
Bound inductance [Le]	-/0.340 mH
Semi-inductance [Ke]	-/0.0516 SH
Shunt resistance [Rss]	-/1633 Ω

Mechanical Data (tweeter/woofer)

Force Factor [Bl]	-/4.45 Tm
Moving mass [Mms]	-/12.7 g
Compliance [Cms]	-/0.519 mm/N
Mechanical resistance [Rms]	-/0.642 kg/s
Admittance [Ams]	-/0.0641 mm/N

