

BATTERIA SIGILLATA AGM DEEP-CYCLE (USO CICLICO)
DEEP-CYCLE AGM MAINTENANCE FREE BATTERY

ZL060115

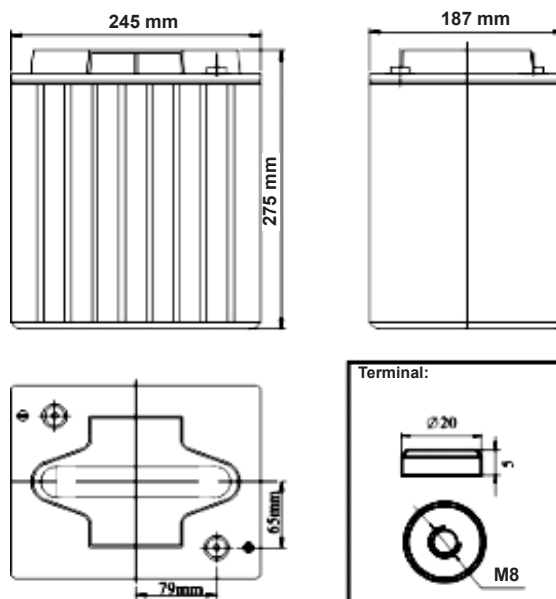


CHARACTERISTIC / CARATTERISTICHE

| | | |
|--|----------------------------------|---|
| Volt | 6V | |
| Capacity / Capacità | 20h | 245Ah |
| | 10h | 212Ah |
| | 8h | 205Ah |
| | 5h | 200Ah |
| | 3h | 163Ah |
| | 2h | 151Ah |
| Internal Resistance | Full Charged Battery 25°C ≤3.0mΩ | |
| Capacity affected by Temperature / Effetti delle temperature sulla capacità | 40°C | 102% |
| | 25°C | 100% |
| | 0°C | 70% |
| Self-Discharge 25°C Capacity / Autoscarica a 25°C | after 3 month storage | 90% |
| | after 6 month storage | 80% |
| | after 12 month storage | 62% |
| Charge cycle / Ciclo di carica | IU + h | "In" max. 42Amp; "V1" 2.43V/cell |
| | IUIa | "In" max. 42Amp; "V1" 7.2Volt; "If" 2Amp. |

CHARACTERISTIC / CARATTERISTICHE

| | | | |
|--|-----|---------|-----------|
| Battery dimensions / Dimensioni batteria | | | |
| L/L | W/P | H/A | Tot - H/A |
| 245 | 187 | 275 | 275 |
| Box Dimensions / Dimensioni scatola | | | |
| L/L | W/P | H/A | |
| 258 | 201 | 335 | |
| Weight / Peso | | 31.5 Kg | |
| Terminal / Terminali | | M8 | |
| Case / Contenitore | | ABS | |
| Pallet Qt | | 36 | |



This information is generally descriptive only and is not intended to make or imply any representation, guarantee or warranty with respect to any cells and batteries. Cell and battery designs/specifications are subject to modification without notice. Contact U.B.S. UNION BATTERY SERVICE for the latest information.

Le informazioni contenute in questa scheda tecnica sono solo descrittive e indicative, non sono una garanzia. U.B.S. UNION BATTERY SERVICE si riserva il diritto di aggiornarle/modificarle senza preavviso.



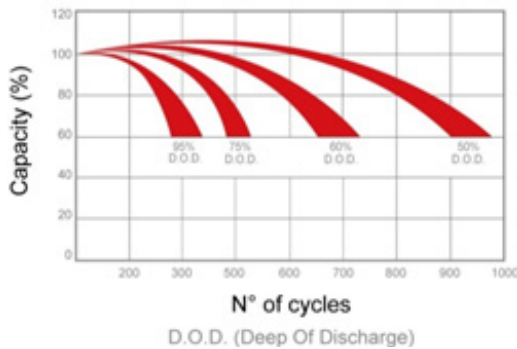
www.unionbatteryservice.it

**BATTERIA SIGILLATA AGM DEEP-CYCLE (USO CICLICO)
DEEP-CYCLE AGM MAINTENANCE FREE BATTERY**

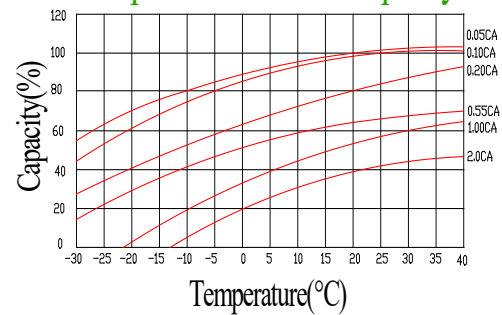
ZL060115



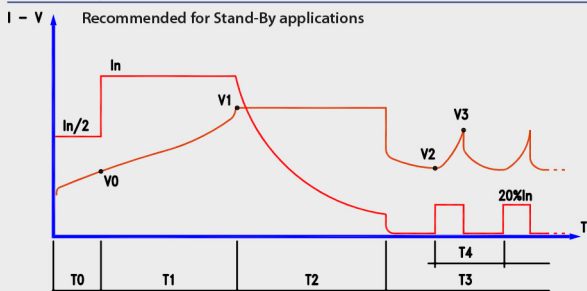
Charge Cycles (25°C)



Temperature effect on capacity



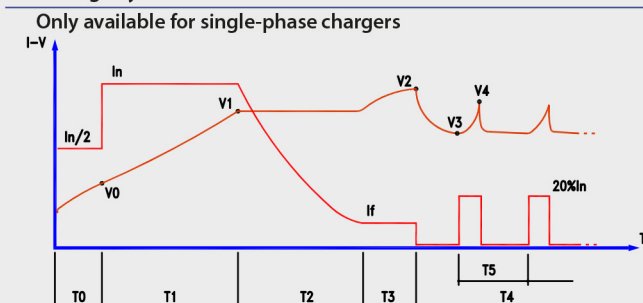
Charge cycle for sealed batteries (GEL/AGM): IU + holding



- In = PROGRAMMED CAPACITY/10
- V0 = 1,90 V/CELL
- V1 = PROGRAMMED VALUE
- V2 = 2.10 V/CELL
- V3 = 2.30 V/CELL
- T0 = MAX. 1 HR
- T1 = MAX. 12 HRS
- T2 = T1 (MIN. 2-MAX. 5 HRS)
- T3 = UNLIMITED

“IUla” charge cycle is always recommended in case of more than 2 batteries in series
Ciclo di carica “IUla” è sempre necessario qualora ci siano più di 2 batterie collegate in serie.

IUla charge cycle



- In = PROGRAMMED VALUE (CHARGE I)
- If = PROGRAMMED VALUE (FINAL I)
- V0 = 1,90 V/CELL
- V1 = PROGRAMMED VALUE (THRESHOLD V)
- V2 = PROGRAMMED VALUE (LOCK V)
- V3 = 2.10 V/CELL
- V4 = 2.30 V/CELL
- T0 = MAX. 1 HR
- T1 = MAX. 12 HRS
- T2 = MAX. T1+6 HRS OR I = IF
- T3 = MAX. 4 HRS
- T4 = UNLIMITED
- T5 = MAX. 6 HRS