

Signature

Guy Bonneville

BLAM
DRIVEN BY PASSION

MS 3.55

High-efficiency midrange driver

- Extended frequency, can be use as full range
- Frequency Response 200 Hz - 27 KHz

Recommended enclosure

0,3 litres

1,9 litres

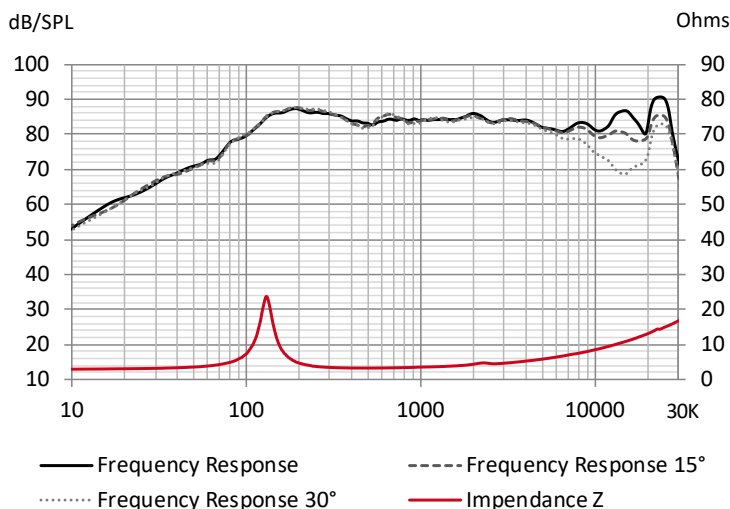
Die cast aluminium basket - Ultra rigid carbon fiber cone - NBR surround - Long life « conex » spider - 20 mm Voice Coil, fiber glass former - 55 mm x 10 mm Oversized Magnetic motor - Machined aluminum phase plug - Gold-plated terminal.



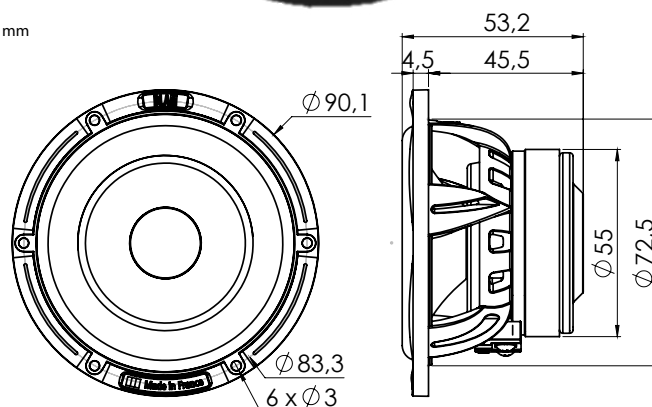
TECHNICAL SPECIFICATIONS

Component	Midrange	
Max power	100 W	
Nominal power	25 W	
Impedance	3 Ω	
Freq. Response	200 Hz - 27 KHz	
Sensitivity (2,83V/1m)	88 dB	
Magnet	Ferrite	
Magnet size Ø x h	55 x 10 mm	2,165" x 0,394"
Total driver displacement	0,060 l	0,002 cf
Weight of one component	0,326 kg	0,723 lb
Voice coil Ø	20 mm	0,787"
Voice coil height	6 mm	0,236"
Cone	Carbon fiber	

FREQUENCY RESPONSE / IMPEDANCE



Unit : mm



THIELE-SMALL PARAMETERS

effective Ø (d)	61 mm
Sd	29,22 cm ²
Xmax	1 mm
Re	3 Ω
Fs	129,93 Hz
Le	58,18 µH @ 1 kHz
LZ	134,68 µH @10 kHz
Vas	0,80 L
Mms	2,24 g
Cms	0,000671 m/N
BL	2,40 Tm
Qts	0,89
Qes	1,04
Qms	6,41
Sensitivity (dB/W/m)	83,8 dB

RECOMMENDED ENCLOSURES

Internal volume Vb	Resonance frequency	Qtc	F-3dB	Boost
0,3 L	248	1,713	171 Hz	5,0 dB at 270 Hz
1,9 L	155	1,067	119 Hz	1.6 dB at 207 Hz

contact@blam-audio.fr
www.facebook.com/blamaudio
www.blam-audio.com

Signature

Guy Bonneville

BLAM
DRIVEN BY PASSION

WS 8.100

High power mid woofer

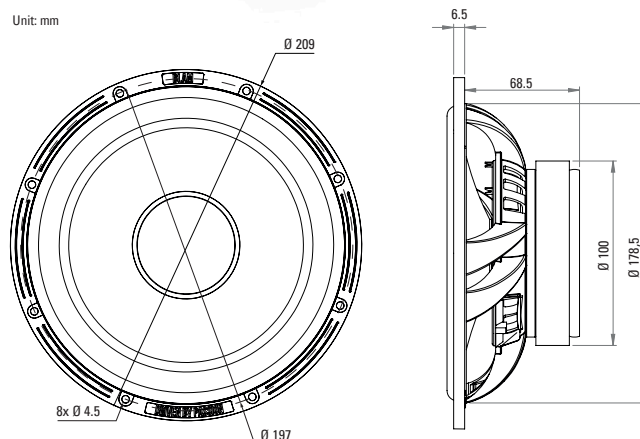
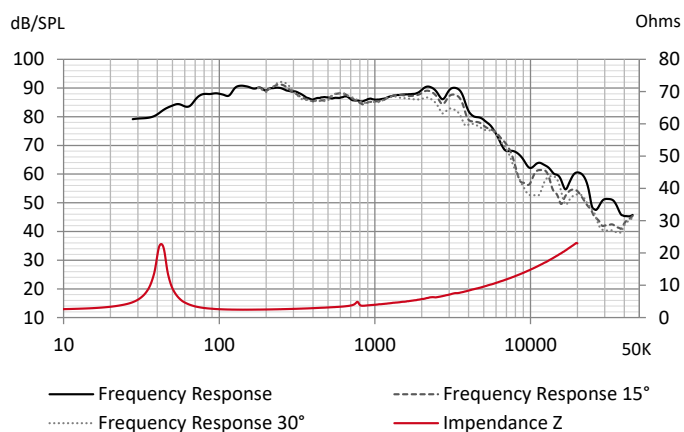
- Woofer 8" (200 mm)
- Max power 300 W / Nom. power 150 W
- Frequency response 50 Hz- 3.8 KHz
- Sensitivity 93.4 dB
- Impedance 2 Ohms

Die cast aluminium basket- Ultra rigid carbon fiber cone- NBR surround- Long life « Conex » damper- 38 mm voice coil on fiber glass former- 100 mm x 20 mm oversized magnetic motor - Gold-plated terminal.

TECHNICAL SPECIFICATIONS

Component	Woofer	
Max power	300 W	
Nominal power	150 W	
Impedance	2 Ω	
Freq. Response	50 Hz - 3,8 KHz	
Sensitivity (2,83V/1m)	93,4 dB	
Magnet	Ferrite	
Magnet size Ø x h	100 x 20 mm	3,94" x 0,79"
Total driver displacement	0,3 l	0,011 cf
Weight of one component	1,76 kg	3,880 lb
Voice coil Ø	38 mm	1,496"
Voice coil height	15 mm	0,669"
Cone	Carbon fiber	

FREQUENCY RESPONSE / IMPEDANCE



THIELE-SMALL PARAMETERS

effective Ø (d)	16,5 mm
Sd	213,82 cm ²
Xmax	6 mm
Re	2,27 Ω
Fs	42,26 Hz
Le	149,49 µH @ 1 kHz
L2	366,81 µH @10 kHz
Vas	37,72 L
Mms	24,15 g
Cms	0,587338 m/N
BL	4,50 Tm
Qts	0,65
Qes	0,72
Qms	6,85
Sensitivity (dB/W/m)	87,9 dB

TSM 25 S 45

HIGH RESOLUTION TWEETER

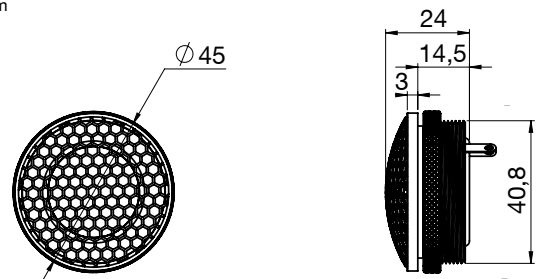
- 25mm (1") soft dome tweeter
- High efficiency neodymium magnet N38
- High precision Machined Aluminium front plate
- Sound transparent protective grill



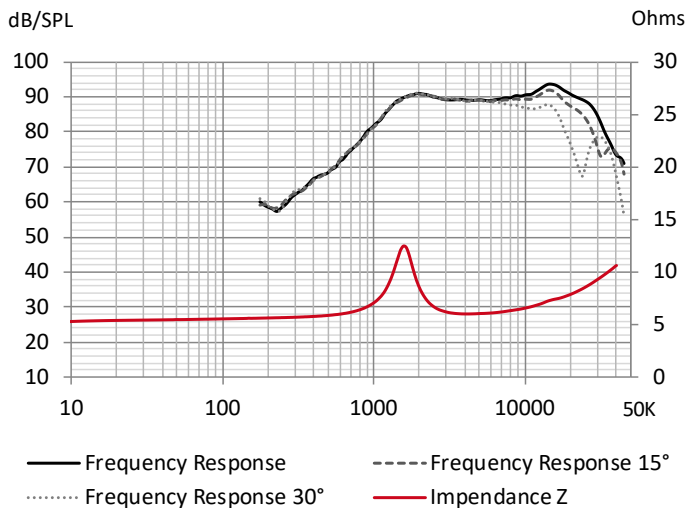
TECHNICAL SPECIFICATIONS

Component	Tweeter	
Max power	100 W	
Nominal power	15 W	
Impedance	5 Ω	
Freq. Response	1.59 KHz - 30 KHz	
Sensitivity (2,83V/1m)	90.7 dB	
Magnet	Neodymium	
Magnet size Ø x h	24.5 x 3.5 mm	0.965" x 0.138"
Total driver displacement	-	-
Weight of one component	0.068 kg	0,150 lb
Voice coil Ø	25 mm	0.984"
Voice coil height	1.7 mm	0.067"
Dome	Soft	

Unit : mm



FREQUENCY RESPONSE / IMPEDANCE



THIELE-SMALL PARAMETERS

Effective Ø (d)	32 mm
Sd	8.04 cm ²
Xmax	-
Re	5.1 Ω
Fs	1591 Hz
Le	-
L2	-
Vas	-
Mms	-
Cms	-
BL	-
Qts	-
Qes	-
Qms	-
Sensitivity (dB/W/m)	88.7 dB