



MACROM

M2SW.1044

SUBWOOFER 10" DOUBLE VOICE COIL



10" SUBWOOFER DOUBLE VOICE COIL

Cone PPY (polypropylene)

2" Double aluminum coil

Barium-Ferrite Magnet by 41.6 Oz

Rubber Suspension

Extended and Vented Pole

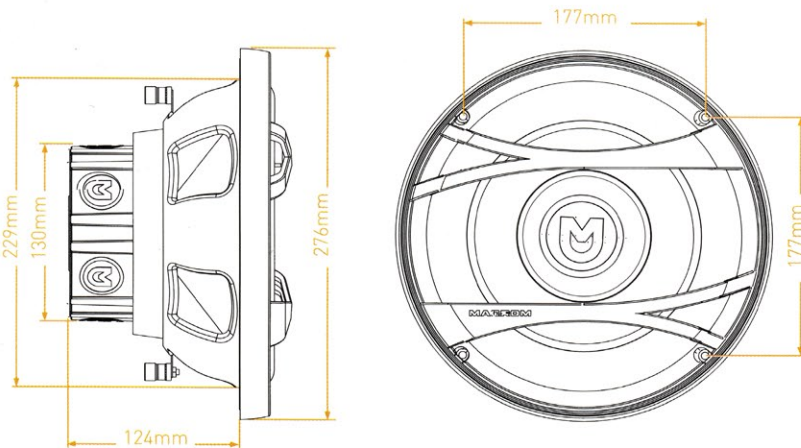
Grille included

Push Terminals

Designed for box of reduced dimensions

250 Watts RMS Power

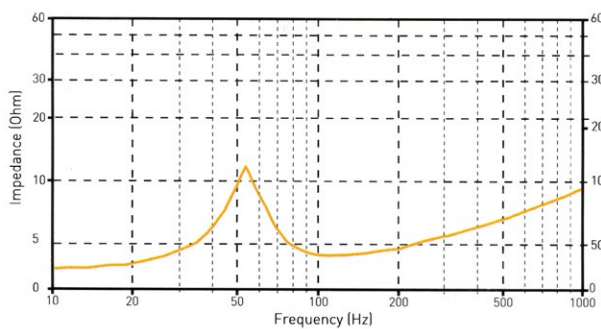
600 Watts peak power



Theile-Small parameters

Fs:	52	Hz
Re:	3.6	Ohms
Le:	0.44	mH
Vas:	15	Liters
Mms:	78	g
Cms:	120	mm/N
X-max:	16	mm
BL:	6.57	Tm
Qts:	1.41	
Qes:	1.82	
Qms:	5.18	
SPL:	88	dB

Impedance



Frequency response

