



MACROM

M1SW.1044

SUBWOOFER 10" DOUBLE VOICE COIL



10" SUBWOOFER DOUBLE VOICE COIL

Cone PPY (polypropylene)

2½" Double aluminum coil

Barium-Ferrite Magnet by 72,6 Oz

Rubber Suspension

Extended and Vented Pole

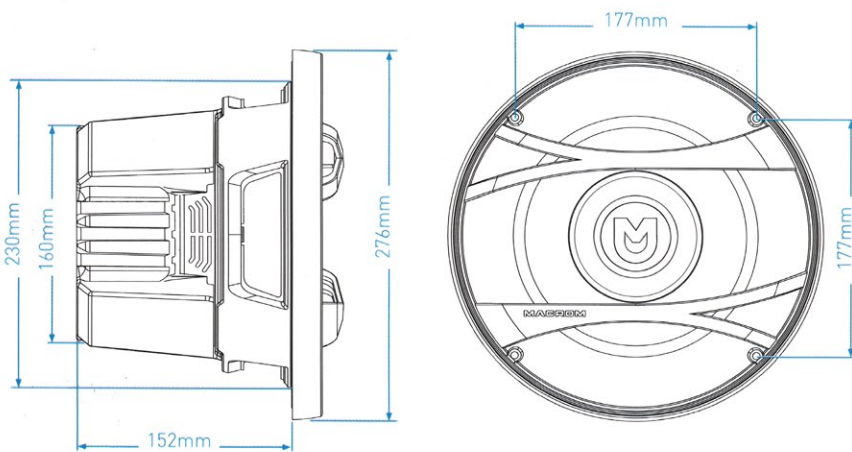
Grilles included

Screw Terminals

Designed for box of reduced dimensions

500 Watts RMS Power

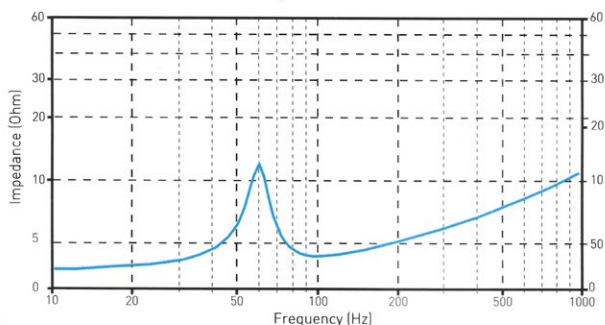
1200 Watts peak power



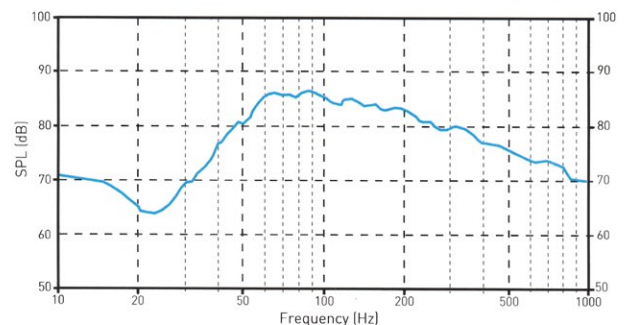
Theile-Small parameters

Fs:	60	Hz
Re:	3.6	Ohms
Le:	0.61	mH
Vas:	11	Liters
Mms:	108	g
Cms:	64	mm/N
X-max:	21	mm
BL:	7.86	Tm
Qts:	1.71	
Qes:	2.25	
Qms:	7.05	
SPL:	86	dB

Impedance



Frequency response



Due to continuing improvement, the features and specification are subject to change without notice