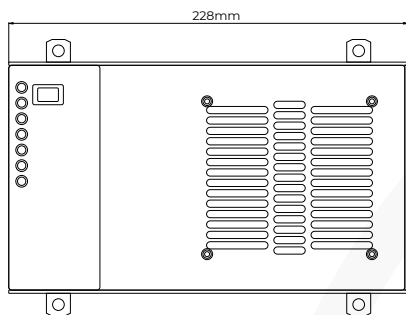


POWERSERVICE GOLD

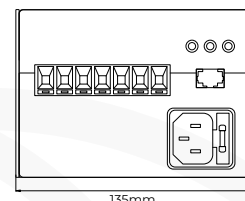
Code: Gold 25-M, Gold 30-M, Gold 40-M



UPPER



SIDE



FRONT

		Code	Gold 25-M	Gold 30-M	Gold 40-M
NOMINAL INPUT VOLTAGE	Alternator		12V		
	Solar Panel		12V		
	Grid		230Vac / 50Hz		
INPUT VOLTAGE RANGE	Alternator		11V-15V		
	Solar Panel		12V-28V		
	Grid		90Vac-264Vac 47/63Hz		
MAXIMUM INPUT VOLTAGE	Alternator		28A	34A	45A
	Solar Panel		15A		
	Grid		3,5A		
INPUT SOURCES RECOMMENDED POWER	Alternator		≥70A	≥90A	≥110A
	Solar Panel		≤250W		
	Grid		≥450W		
NOMINAL OUTPUT VOLTAGE			12V		
OUTPUT VOLTAGE RANGE			11V-16V		
BATTERY OUTPUT NUMBERS			1		
MAX CHARGING CURRENT	Alternator		25A	30A	40A
	Solar Panel		15A		
	Grid		20A		
GALVANIC INSULATION			Not from DC power supply - Yes from AC		
MAXIMUM EFFICIENCY			93%	92%	92%
COOLING			ventola ad espulsione		
CHARGING CURVES			5 stadi		
CHARGING CURVE SELECTOR			Yes - Jumper		
BATTERY TECHNOLOGY			AGM, GEL, Wet, LiFePO ₄		
RECOMMENDED BATTERY CAPACITY			≥75Ah	≥90Ah	≥120Ah

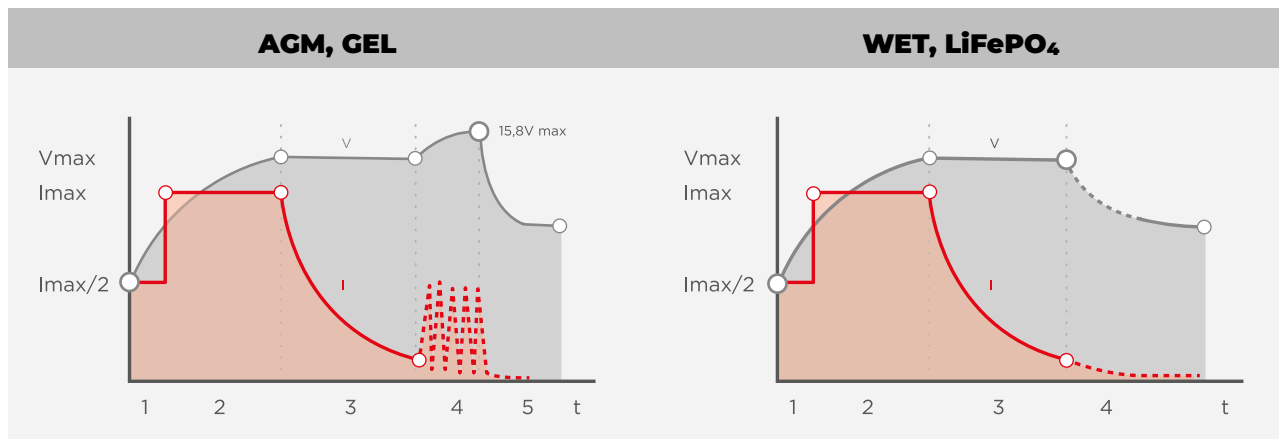
	AGM		Gel		Wet		Lithium (LiFePO ₄)		EURO 6	
	12V	24V	12V	24V	12V	24V	12V	24V	12	24
MAX Charging Voltage	14,8V	29,6V	14,3V	28,6V	14,5V	29V	14,5V	29V	14,6V	29,2V
Maintenance Voltage	13,8V	27,6V	13,6V	27,2V	13,5V	27V	13,5V	27V	13,7V	27,4V
MAX Desulph. Voltage	15,8V	31,6V	15,8V	31,6V	/	/	/	/	/	/



TUTTA L'ENERGIA CHE TI SERVE
ALL THE ENERGY YOU NEED

Code		Gold 25-M	Gold 30-M	Gold 40-M
BATTERY VOLTAGE DETECTION		Yes		
D+ SIGNAL ALTERNATOR / IGNITION+		Yes – Active high		
EURO6 SYSTEM COMPATIBILITY AND SMART ALTERNATOR		Yes		
ACTIVATION THRESHOLD	Alternator	$V_m \geq 13,3V$ e D+ on		
	Smart Alternator	$V_m \geq 12,4V$ e D+ on		
	Solar Panel	$V_p \geq 16V$ e D+ off		
	Grid	Presence D+ line off		
DEACTIVATION THRESHOLD	Alternator	$V_m \leq 12,8V$ o D+ off		
	Smart Alternator	$V_m \leq 11,8V$ o D+ off		
	Solar Panel	V_p minor VBS or D+ on		
	Grid	Absence D+ line on		
CONNECTIONS		7-pole screw terminal block		
STATUS INDICATOR		Yes – 2 LED e Buzzer		
PROTECTION DEGREE		IP20		
PROTECTIONS		Short-circuit, Reversed polarity, Overheating		
WORKING TEMPERATURE		$-20^{\circ}C / +50^{\circ}C$		
SIZE		225mm x 135mm x 51mm		
WEIGHT		1400g		

CHARGING CURVES



Phase	Status
1	Constant Current
2	Constant Current
3	Constant Voltage
4	Desulphation
5	Maintenance

Phase	Status
1	Constant Current
2	Constant Current
3	Constant Voltage
4	Maintenance

This data sheet is indicative. NDS Energy reserves the right to make changes to the illustrated items at any time, without prior notice, for technical or commercial reasons.

Last update date: 03/06/2019



TUTTA L'ENERGIA CHE TI SERVE
ALL THE ENERGY YOU NEED