

- 4-layers single voice coil
- Kapton® voice coil support
- High grade Y30 magnet
- Motor made of very low carbon steel
- Optimized motor design
- Long travel rubber surround
- Steel basket
- Internal stiffening ring
- Treated cellulose pulp cone
- Conex® spider
- CNC plates processing



Your ESB subwoofer is a precision loudspeaker which has been designed to produce very high-quality sub-bass frequency performance in your car. For maximize the performance of your speaker we highly recommend to use a dedicated enclosure. Inside this manual you will find specifications and two recommended enclosures for your speaker: one is a sealed enclosure, the other is a ported design. Both types of enclosures will give you excellent sound quality and low-frequency extension. The sealed enclosure is a better choice if space is extremely tight, but the ported enclosure will produce 3dB more output at the same power if you have the extra space to work with.

T&S parameters specification

Free air resonance (Fs):	48.9 Hz
Electrical "Q" (Qes):	0.78
Mechanical "Q" (Qms):	4.18
Total speaker "Q" (Qts):	0.66
Equivalent Compliance (Vas):	0.706 ft ³ / 19.98 lit.
Linear Excursion (Xmax):	0.334" / 8.5 mm
Efficiency (1W/1m):	86.6 dB SPL
Effective piston area (Sd):	0.558 in ³ / 359,68 mm ²
DC resistance (Re):	3.6 Ohm
Nominal impedance:	4 Ohm
Power handling (continuous):	250 W
Power handling (peak):	500 W

Power Handling Recommended Chart

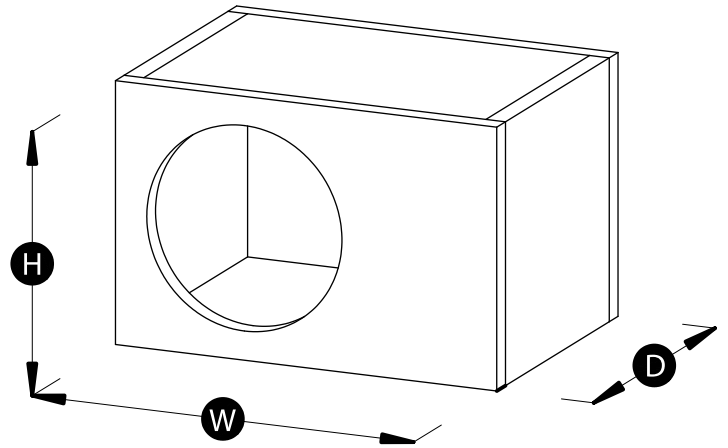
Physical specification

Nominal diameter:	10" / 250 mm
Overall diameter (A)	10.66" / 271 mm
Mounting hole diam. (B)	9.13" / 232 mm
Bolt hole circle (C)	9.84" / 250 mm
Magnet diameter (D)	5.31" / 135 mm
Mounting Depth (E)	4.84" / 123 mm
Driver displacement	0.03 ft ³ / 0.9 l

Recommended Sealed Enclosure

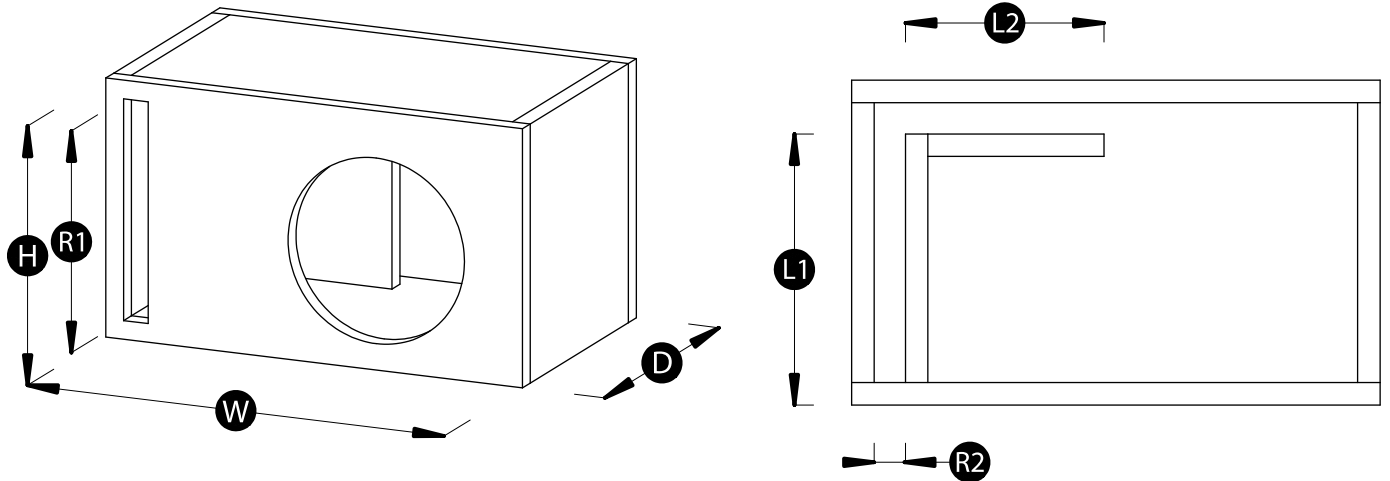
- Volume (include speaker displacement): 0.547 in³ / 15.5 lit.
- External dimension (W,H,D): 14.56×11.81×9.05" / 370×300×230 mm

Note: Dimension are assume with 3/4" material (19mm). This is the suggested thickness. Less thickness may compromise box rigidity with leak bass response.



Recommended Ported Enclosure (Reflex option A)

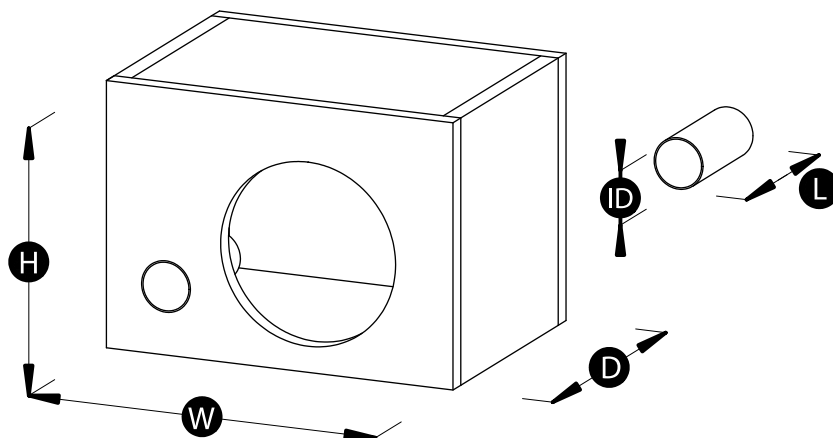
- Volume (include speaker displacement): 0.706 in³ / 20 lit.
- External dimension (W,H,D): 18.11×10.23×11.02" / 460×260×280 mm
- Reflex port dimension (R1,R2): 10×0.787" / 254×20 mm • Reflex port length (L1,L2): 9.52+1.81" / 242+30 mm



Note: Dimension are assume with 3/4" material (19mm). This is the suggested thickness. Less thickness may compromise box rigidity with leak bass response.

Recommended Ported Enclosure (Reflex option B)

- Volume (include speaker displacement): 0.706 in³ / 20 lit.
- External dimension (W,H,D): 17.32×11.41×10.23" / 440×290×260 mm
- Reflex tube internal diameter (ID): 2.67" / 68 mm • Reflex tube length (L): 7.32" / 186 mm



Note: Dimension are assume with 3/4" material (19mm). This is the suggested thickness. Less thickness may compromise box rigidity with leak bass response.