

DN10.142

Lavoce

1" COMPRESSION DRIVER

NEODYMIUM MAGNET



PRELIMINARY

- 1.4 INCH EDGEWOUND CCA VOICE COIL
- 107 dB/SPL SENSITIVITY
- 50 W PROGRAM POWER HANDLING
- FEM OPTIMIZED MOTOR, PHASEPLUG AND DIAPHRAGM
- 1000 - 18000 Hz FREQUENCY RANGE
- HIGH TEMPERATURE POLYMERIC DIAPHRAGM
- ULTRA COMPACT COMPRESSION DRIVER, WITH EXTENDED LOW FREQUENCY RANGE

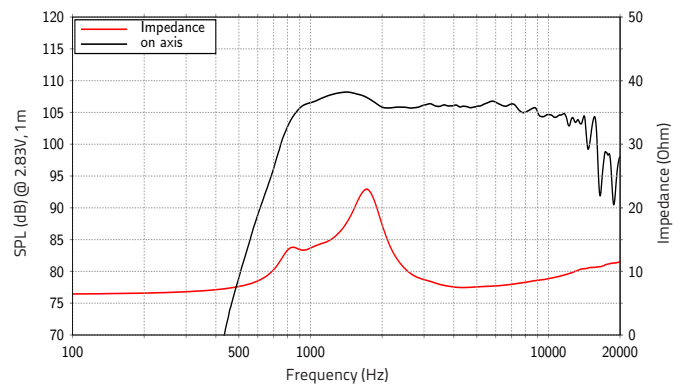
GENERAL SPECIFICATIONS

Throat diameter	mm (in.)	25,4 (1)
Nominal impedance	Ω	8
Minimum impedance	Ω	7,5
Program power (1)	W	50
AES Power rating (2)	W	25
Sensitivity (3)	dB	107
Frequency range	Hz	1000 ÷ 18000
Voice coil diameter	mm (in.)	36 (1.4)
Magnet material	Neodymium	
Magnet OD	mm (in.)	60 (2.4)
Coil material	Edgewound CCA	
Former material	Kapton	
Diaphragm material	High temperature polymer	
Surround material	High temperature polymer	
Voice coil Inductance	mH	0,1
Flux density	T	1,8
Recommended crossover (4)	Hz	1200
Driver displacement volume	l (ft ³)	0,08 (0.003)

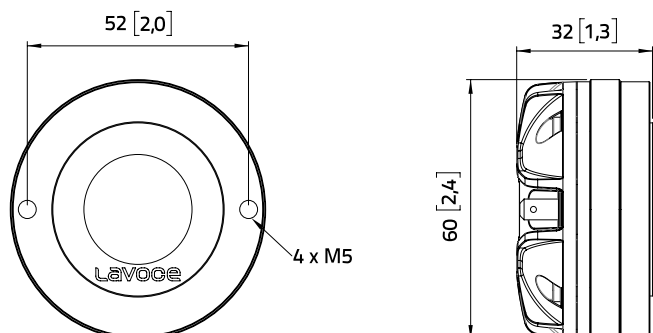
SHIPPING INFORMATION

Net weight	kg (lb.)	0,3 (0.66)
Multipack size (12)	mm (in.)	412 x 348 x 89 (16.2 x 13.7 x 3.5)
Multipack weight	kg (lb.)	4,6 (10.1)

FREQUENCY RESPONSE



DIMENSIONS mm (in.)



(1) Program power is defined as 3 dB greater than AES Power. (2) Horn loaded test for 2h with continuous, band-limited (1200-20000 Hz, 12dB/oct.) pink noise as per AES 2-1984 Rev. 2003. (3) Measured on axis at 2.83V, 1m, driver loaded with HD1003 horn, SPL averaged in the frequency range 1000 ÷ 18000 Hz. (4) High pass filter with slope 12dB/oct. or higher.

All specifications subject to change without notice_D.a

WWW.LAVOCESPEAKERS.COM



Lavoce Italiana

sales@lavoce-speakers.com sales.cn@lavoce-speakers.com