

# IS FORD 690

Technical Sheet

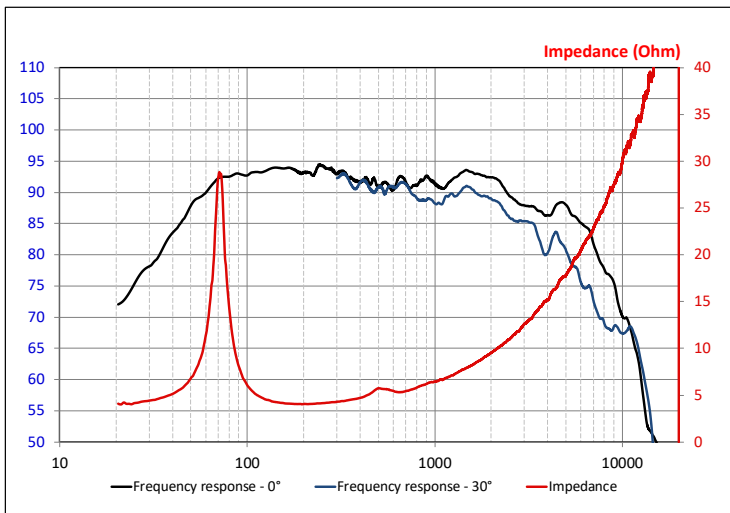
## Woofer



## SPECIFICATIONS

Nominal power	75W
Maximum power	150W
Sensitivity	92.3dB
Nom. impedance	4Ω
Cone	Black Polyglass
Surround	Butyl
DC resistance	3.8Ω
VC diameter	30mm 1 3/16"
Former	Kapton
Layers	2
Wire	Copper
Net weight	1000g 2.2lbs

## FREQUENCY RESPONSE/IMPEDANCE

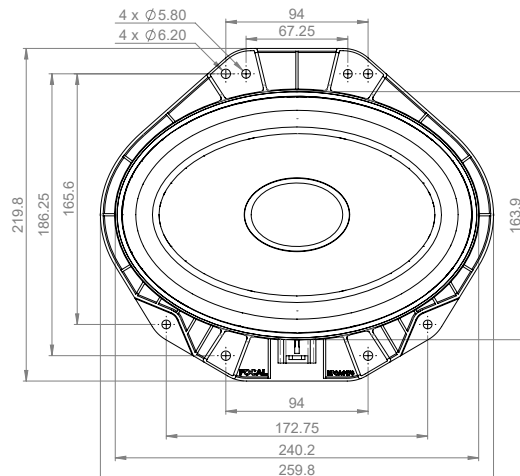
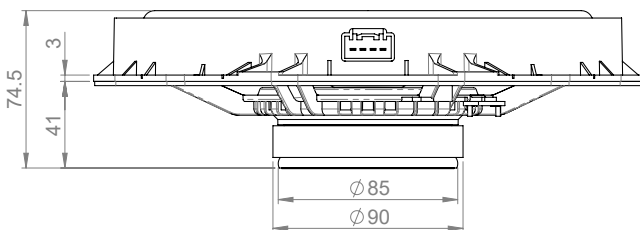


## PARAMETERS

Rdc	3.8 Ω
Fs	71.8 Hz
Mms	22.02 g
Cms	0.223 mm/N
Vas	15.26l
Qts	1.06
Qes	1.21
Qms	8.66
Bxl	5.57N/A
Sd	220cm <sup>2</sup>
SPL	89.3dB
Xmax	3mm

## MECHANICAL DRAWING

Dimensions in mm



**FOCAL**® INSIDE

Focal® is a trademark of Focal-JMLab® - [www.focal.com](http://www.focal.com) - SCAA200505/1

**FOCAL**®  
LISTEN BEYOND