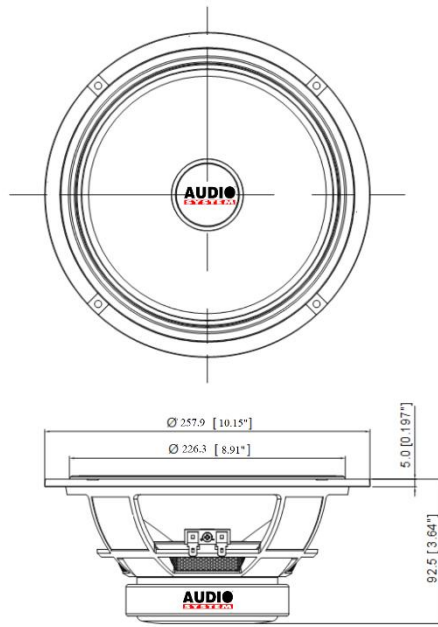


SPECIFICATIONS	KF-10
RMS Power (W)	200
MAX Power (W)	400
Fo (Hz)	62
Nominal Impedance (Ω)	4
Sensitivity @1w/1m (dB)	96±2
Frequency Range	60Hz 10KHz
Magnet	45 Oz
Voice Coil	1.5"
Cone	PAPER CONE
Mounting Depth (mm)	92
Mounting Diameter (mm)	232



AUDIO SYSTEM

Italy

KF-10
10" MIDRANGE SPEAKER

OWNER'S MANUAL
SPEAKER SYSTEM

