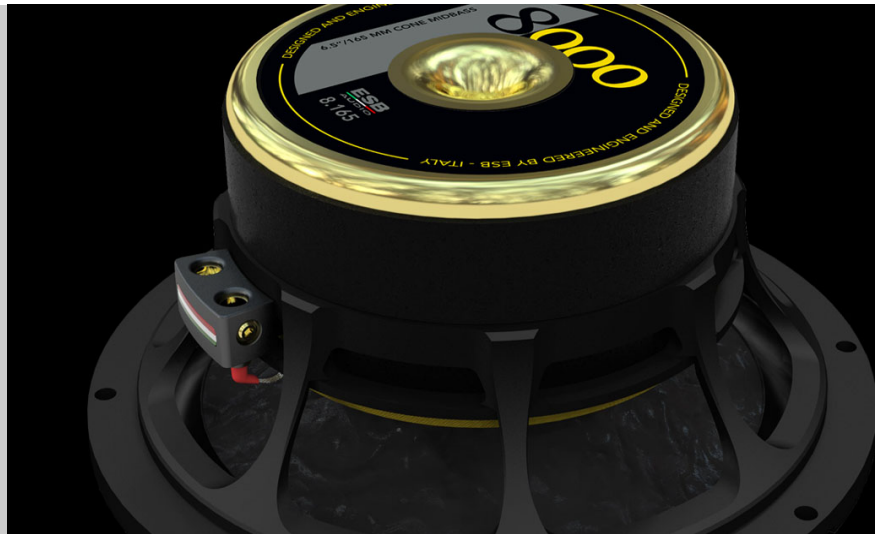


FEA motor optimized  
 32.4 mm voice coil diameter  
 Copper voice coil  
 Aluminum former  
 Large Y35 ferrite magnet  
 NPPV™ exponential cone  
 CNC aluminum basket  
 Rubber surround  
 Conex™ progressive spider  
 Computer optimized design  
 Motor metal parts CNC machined



Y35 ferrite magnet motor is optimized with FEA simulation to ensure a perfectly symmetrical magnetic flux in both directions of cone's run. Motor metal parts are CNC machined from solid and refined material for maximum magnetic flux linearity and minimum magnetic loss. This reduces distortion at high power levels.

32.4 mm double layer voice coil is wound on an aluminum former for exceptional power handling and compression-free reproduction, for even the most demanding musical passages.

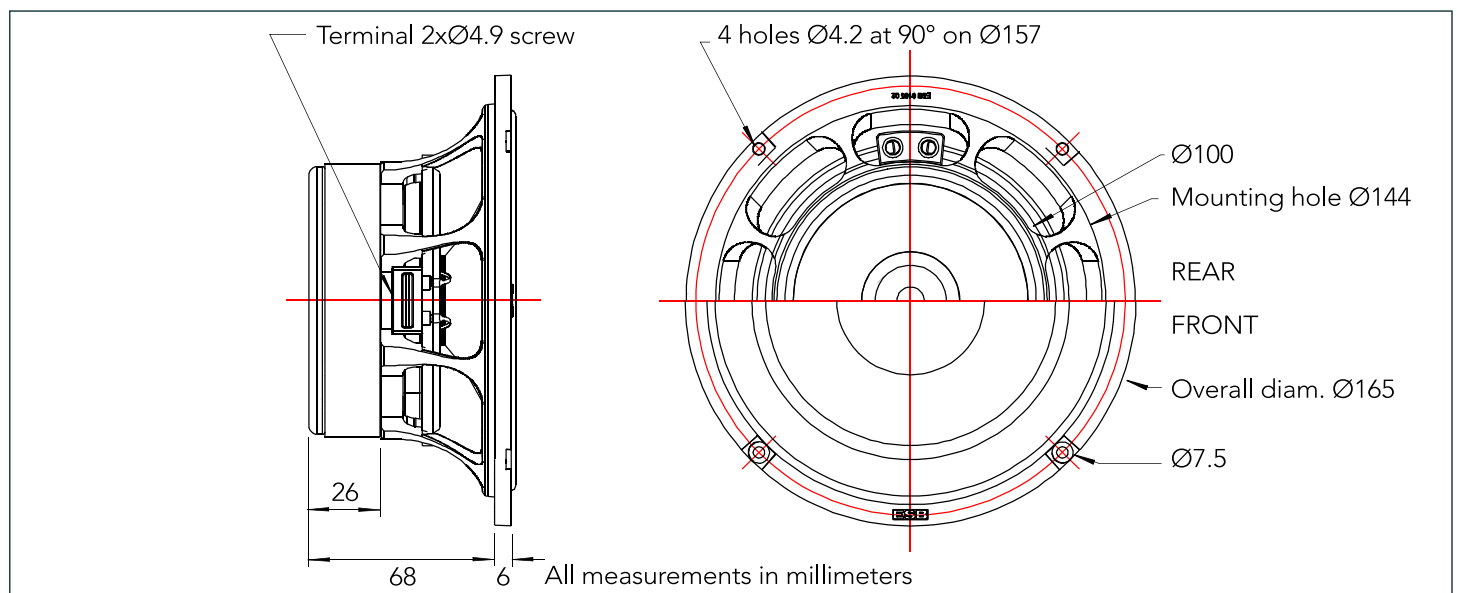
Non pressed cellulose pulp exponential cone has a vinyl ester resin coating, ensuring a perfect balance between rigidity, weight, and self-damping. The cellulose pulp guarantees an extremely natural and linear reproduction in all musical passages, with an excellent extension at high frequencies without audible break-up. An aluminum dust cup fixed directly on voice coil former, increases and linearizes the extreme top of bandwidth.

The CNC aluminum basket ensures a drastic reduction of the cone's back reflections and a great torsional rigidity. High structural and torsional rigidity are a goal for perfect parts alignment, this requires very tight tolerances in the construction and assembling system, it means a better efficiency, more power handling and less distortion.

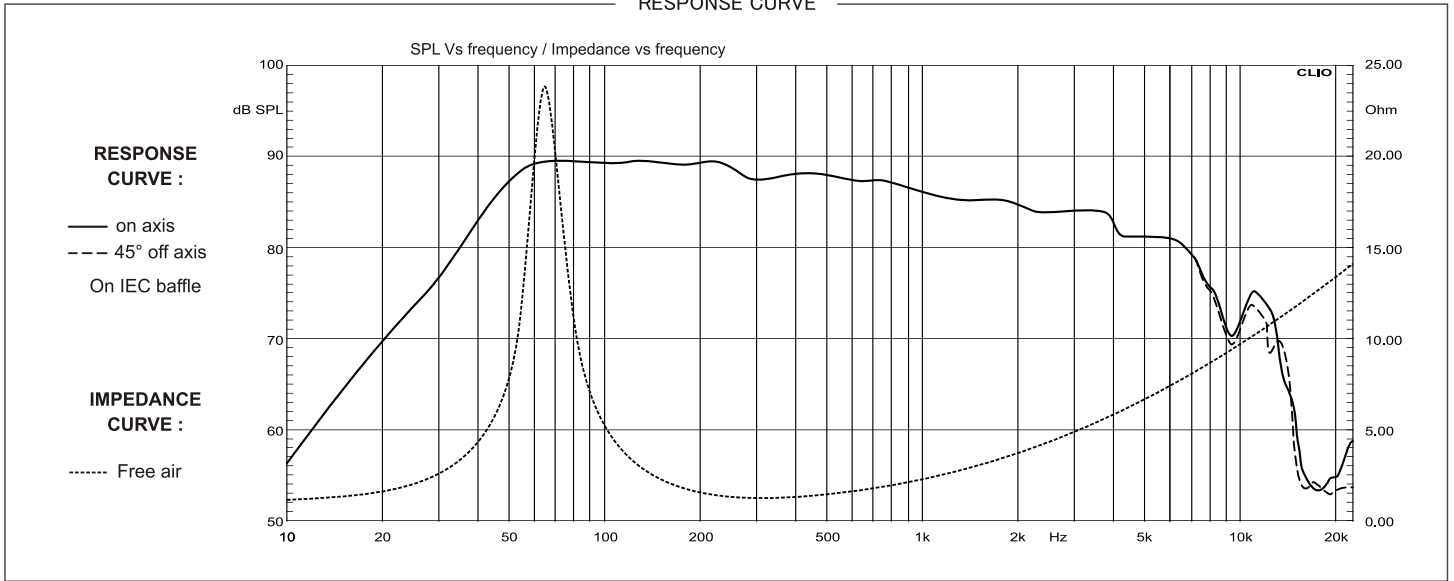
The exclusive TSW (Twin Symmetrical Wave) rubber surround offers maximum linearity of travel and high reliability in extreme conditions. The axial ventilation system ensures high thermal dissipation capacity, power handling and reliability.

Large Conex™ spider allows a smooth and gentle run at low excursions, and gently holds the cone at high excursions, this increases the useful range of use.

Exclusive terminal connection design must accept very large cables.



### RESPONSE CURVE



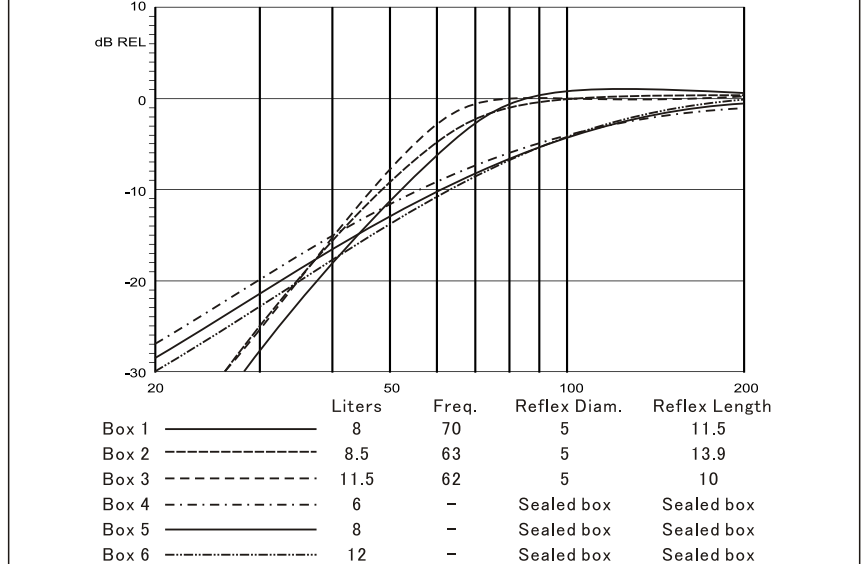
### SPECIFICATIONS

Technical Characteristics	Symbol	Value	Units
<b>GENERAL DATA</b>			
Overall Dimension	D x h	165 x 74	mm
Nominal Power Handling (AES)*	P	160	W
Transient Power *	Pp	320	W
Sensivity 1W/1m	SPL	89	dB SPL
Frequency Response		45 - 4000	Hz
Dome Material		Not pressed paper vinylester resin	
Net Weight		1650	g
*Nominal and Transient power @ High Pass 80Hz - 12db/Oct			
<b>ELECTRICAL DATA</b>			
Nominal Impedance	Z	3	Ω
DC Resistance	Ω	2.2	Ω
Voice coil Inductance	Lbm	0.26	μH
<b>VOICE COIL AND MAGNET PARAMETERS</b>			
Voice Coil Diameter	Dia	32.4	mm
Voice coil Height	h	14.6	mm
Magnetic Gap Height	HE	5.0	mm
Max Linear excursion	Xmax	± 14.6	mm
Voice Coil Former		Aluminum	
Number of layers	n	2	
Magnet System		Ferrite Y35 grade	
Efficiency	η°	0.57	%
BL Product	BxL	5.20	Na
Magnet dimension	∅ x ∅ x h	100x50x20	mm
Magnet weight	m	422	g
<b>T&amp;S PARAMETERS</b>			
Suspension Compliance	Cms	0.475	N/m
Mechanical Q Factor	Qms	4.27	
Electrical Q Factor	Qes	0.43	
Total Q Factor	Qts	0.39	
Mechanical Resistance	Rms	1.24	Ω
Moving Mass	mms	13.5	g
Eq. Comp. Air Load	VAS	11.1	l
Resonance Frequency	Fs	62.7	Hz
Effective Piston Area	SD	130	cm <sup>2</sup>

### CROSSOVER VALUE

Fc	Crossover frequency	Hz
L	Inductor	mH
C	Capacitor	μF
R	Resistance	Ω
S	Crossover Slope	dB/Oct

### SEALED AND PORTED SUGGESTED VOLUME



### SUGGESTED APPLICATION

