

ZEN SERIES

ACCESSOIRES

since 1988

AUDIO
SYSTEM

german sound

HIGH LOW CONVERTER

MANUAL



HLC 2 EVO
HLC 2 EVO SUB

CE

Congratulation on your purchase of your new Z SERIES Adapter.

IMPORTANT: Before installation of your High Low Converter, we recommend to read the owner's manual carefully and to follow the instructions regarding connection and fitting exactly.

ATTENTION: Pay attention to advices and instructions of the car manufacturer.

Important: Your proof of purchase is evidence of warranty claim for repair or replacement. Keep your proof of purchase, manual and original packaging.

ATTENTION: Use of sound components can impair your ability to hear necessary traffic sounds and may constitute a hazard while driving your automobile.

AUDIO SYSTEM GERMANY accepts no liability for hearing loss, bodily injury or property damage as a result of use or misuse of our products.

We recommend installing the equipment by an authorized service center or dealer. A professional fitting and connection is the requirement for further warranty and perfect sound.

HLC 2 EVO / HLC 2 EVO SUB

- 2-Channel High-Low-Adapter
- Connectable to all OEM-Headunits
- Prohibit disturb signal and power up noise
- Generate a turn-on signal(Remote) over BTL or Signal Recognition
- Variable turn-on delay of the remote output: 1 to 15 seconds
- Outstanding sound quality
- 5-Volt preamplifier technology (RCA couplings)
- Power supply +/- 15 Volt on board
- ISO-Plugs for easy connection
- Very fast and correct music recognition
- Universal Speakers Simulator included

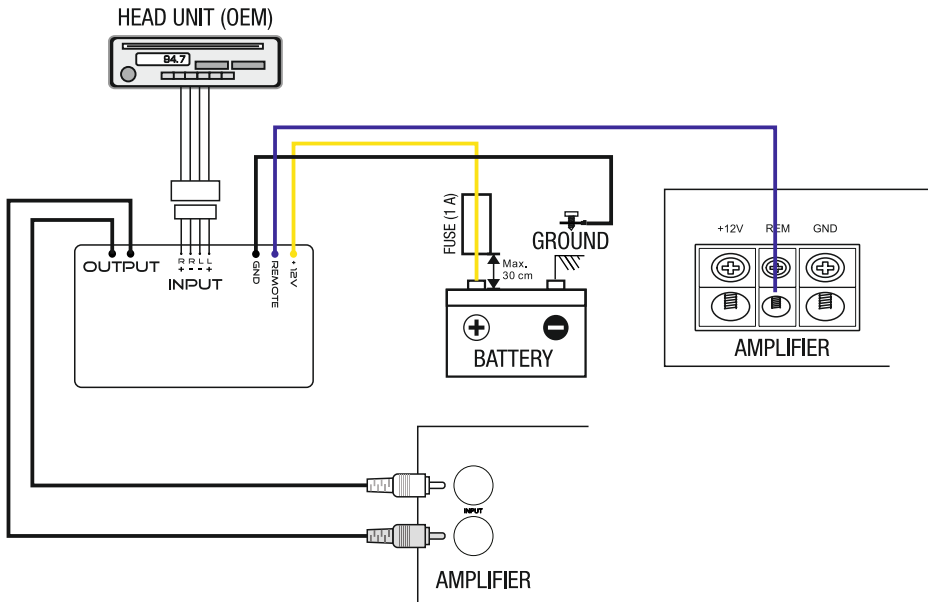


ATTENTION



Please follow the instructions during the installation of your High-Low-Adapter:

- a) Take care of a professional attachment. Pay attention, that no electrical cable, gas tank, hydraulic brakes or other components get damaged.
- b) Protect your **HLC 2 EVO / HLC 2 EVO SUB** from fluids, wetness, heat and foreign material as well as from other influences.
- c) The High-Low Adapter is only to be built into vehicles with a 12 V DC power supply.
- d) Never install the power supply cable with other original wires of the vehicle (gas cables), fan motors, brand control moduls etc.
- e) Install the signal cable (cinch cable) as well as the speaker cable far away of the power cables to avoid troubles with the music signal.
- g) The cables of your **HLC 2 EVO / HLC 2 EVO SUB** have to be installed, so that there is no danger of binding, squeezing or breaking.



ATTENTION:

1. Battery disconnection

First disconnect the power supply of the vehicle. This works out the best by removing the ground cable of the battery.

2. Ground connection

Connect the GND/ground (black) connection of the HLC 2 EVO / HLC 2 EVO with the car chassis. Use a suitable cross section (1,5 - 2,5 mm²). Make sure, that the connection with the vehicle chassis is free of paint, dirt and dust.

3. +12 V Power connection

Connect the +12 V contact (yellow) of the High-Low adapter via a fuse (1 A) directly to +12 V. This fuse protects the amplifier and the vehicle against the possibility of a short circuit in the power cable.

4. Remote connection

Connect the REM-terminal (blue) of the HLC 2 EVO / HLC 2 EVO to the remote-input of the amplifier. Therefore use a 0,5 - 1,5 mm power cable. The amplifier turns on as soon as music signal is generated at the input of the High-Low Adapter.

5. Input

The HLC 2 EVO / HLC 2 EVO has High-Inputs, which have to be connected to speaker output of the head unit (OEM).

6. Output

The RCA(Cinch)-outputs of the HLC 2 EVO / HLC 2 EVO have to be connected to the RCA(Cinch)-inputs of the amplifier. **Important** in this respect is, that first the **gain-control** of the connected amplifier is **put to minimum**. Turn up only if necessary.

In this regard, **AUDIO SYSTEM GERMANY** recommends to adjust your amplifier through a specialized service center, dealer or a specialist.

The HLC 2 EVO / HLC 2 EVO has a signal recognition. This is necessary, when OEM-output doesn't have overlaying 6-Volt direct current signal. To turn on the signal recognition the switch position has to be changed from **BTL** to **SE** (see figure).

Position SE (Signalerkennung):
Automatically turn on for headunits and activs systems with Class-D amplifier

Position BTL:
Automatically turn on for standard headunits with high-power outputs

The HLC 2 EVO / HLC 2 EVO has a turn-on time delay for the remote output (blue). The delay can be continuously adjusted via the blue potentiometer from 0 to 15 seconds.

Standard position of the Potentiometer:
7 o'clock position with 0 seconds on-delay time.

Maximum position of the Potentiometer:
5 o'clock position with 15 seconds on-delay time.

Der HLC 2 EVO / HLC 2 EVO has a universal speaker simulator in the input section. This starts when the OEM headunit has an impedance test circuit for monitoring the speaker outputs.

Power Supply Voltage	10 - 16 V
Signal to Noise Ratio	>95 dB
Frequency Response	10 Hz ~ 50 KHz (+/-1 dB)
Channel Separation	75 dB
Turn-on time delay	0 bis 25 seconds
Fuse to use	1 A
Maximum Input Voltage	12 V (oder 20 W an 4 Ohm)
Dimensions	45(W) x 15(H) x 55(L) mm