

# TWEETER BMW

Technical Sheet

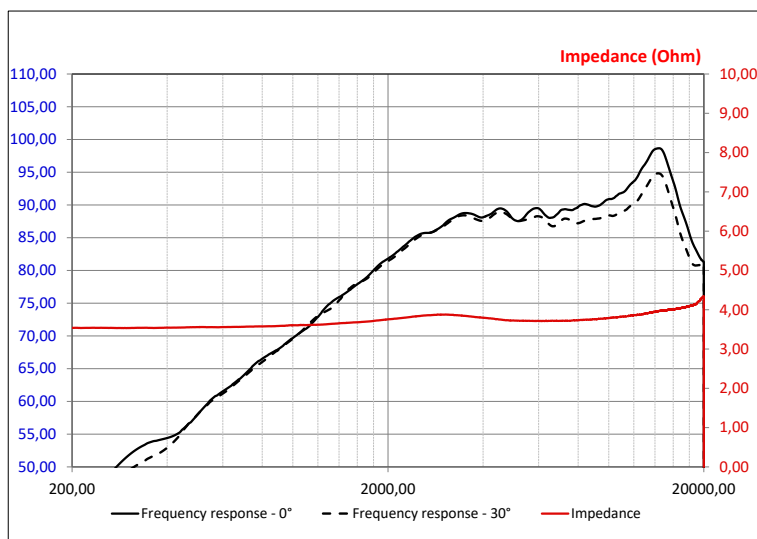
## Tweeter



## SPECIFICATIONS

Nominal power	20 W
Maximum power	80 W
Sensitivity	90 dB
Nom. impedance	4 Ω
Cone	Aluminium Magnesium
Surround	Poron
DC resistance	3.6 Ω
VC diameter	20mm 1"
Former	Kapton
Layers	2
Wire	Alu
Net weight	60g 0.13lb

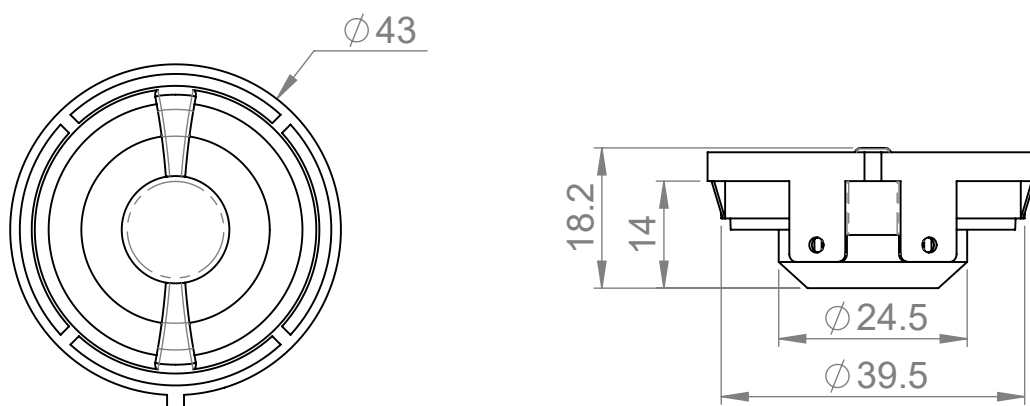
## FREQUENCY RESPONSE/IMPEDANCE



## PARAMETERS

Rdc	3.5 Ω
Fs	2500 Hz

## MECHANICAL DRAWING



**FOCAL® INSIDE**

Focal® is a trademark of Focal-JMLab® - [www.focal.com](http://www.focal.com) - SCAA190926/1

**FOCAL®**  
LISTEN BEYOND