

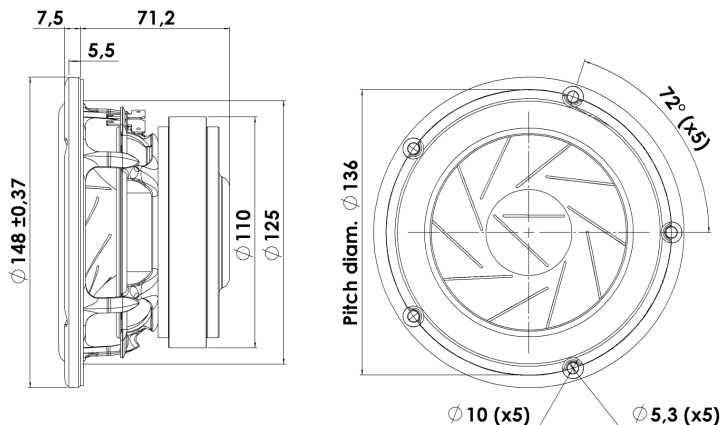


REVELATOR

MIDRANGE

15M/8631G00

This Revelator midrange has sliced paper cone technology. The slices are filled with damping glue, which dramatically reduces break-up modes in the diaphragm. In combination with the Scan-Speak low loss linear suspension and the patented symmetrical Drive SD-1 it represents a breakthrough in midrange clarity and overall smooth frequency response characteristics.



KEY FEATURES:

- Patented Symmetrical Drive motor system
- Sliced cone technology
- Large ferrite magnet system
- Low loss, low damping linear suspension
- Die cast Alu chassis vented below spider

T-S Parameters

| | |
|-------------------------------|--------------------|
| Resonance frequency [fs] | 42 Hz |
| Mechanical Q factor [Qms] | 5.8 |
| Electrical Q factor [Qes] | 0.37 |
| Total Q factor [Qts] | 0.35 |
| Force factor [Bl] | 6.8 Tm |
| Mechanical resistance [Rms] | 0.5 kg/s |
| Moving mass [Mms] | 10.9 g |
| Compliance [Cms] | 1.28 mm/N |
| Effective diaph. diameter [D] | 110 mm |
| Effective piston area [Sd] | 95 cm ² |
| Equivalent volume [Vas] | 16.2 l |
| Sensitivity (2.83V/1m) | 86.8 dB |
| Ratio Bl/√Re | 2.8 N/√W |
| Ratio fs/Qts | 120 Hz |

Notes:

IEC specs. refer to IEC 60268-5 third edition.
All Scan-Speak products are RoHS compliant.
Data are subject to change without notice.
Datasheet updated: May 6, 2019.

Electrical Data

| | |
|----------------------------|---------|
| Nominal impedance [Zn] | 8 Ω |
| Minimum impedance [Zmin] | 6.9 Ω |
| Maximum impedance [Zo] | 96 Ω |
| DC resistance [Re] | 5.9 Ω |
| Voice coil inductance [Le] | 0.22 mH |

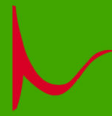
Power Handling

| | |
|--------------------------------|-------|
| 100h RMS noise test (IEC 17.1) | 50 W |
| Long-term max power (IEC 17.3) | 110 W |

Voice Coil & Magnet Data

| | |
|---------------------|--------|
| Voice coil diameter | 38 mm |
| Voice coil height | 11 mm |
| Voice coil layers | 2 |
| Height of gap | 5 mm |
| Linear excursion | ± 3 mm |
| Max mech. excursion | ± 8 mm |
| Unit weight | 1.7 kg |

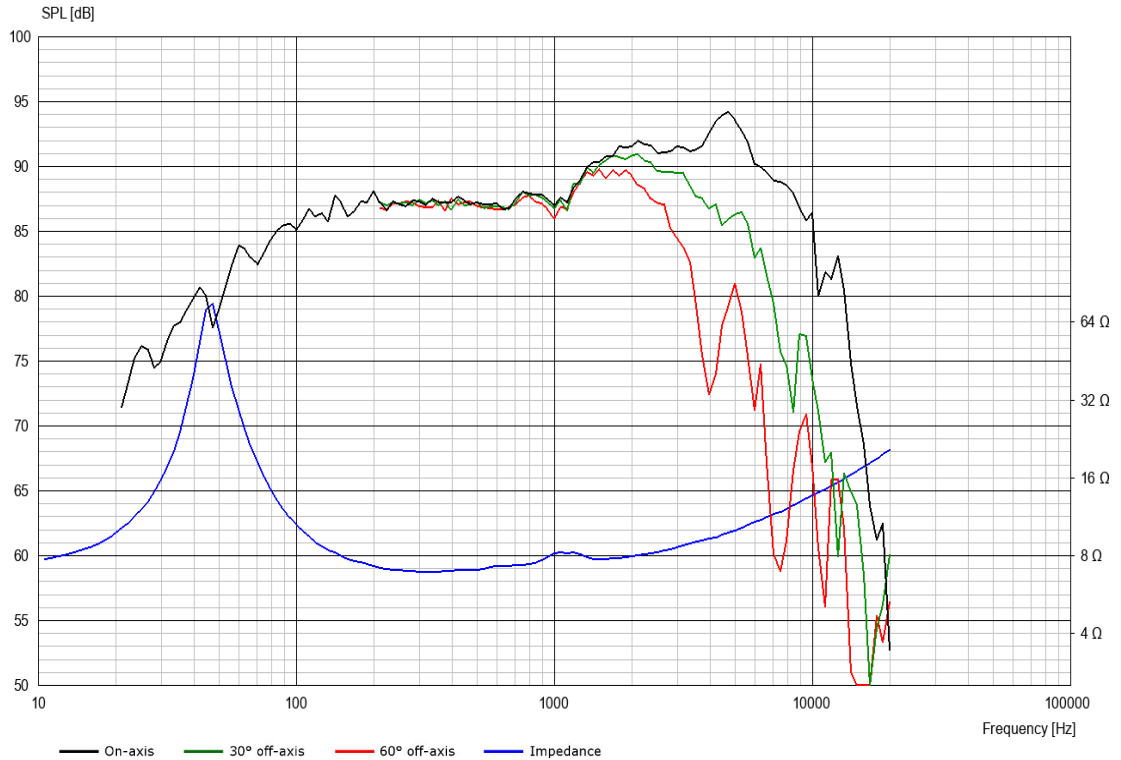




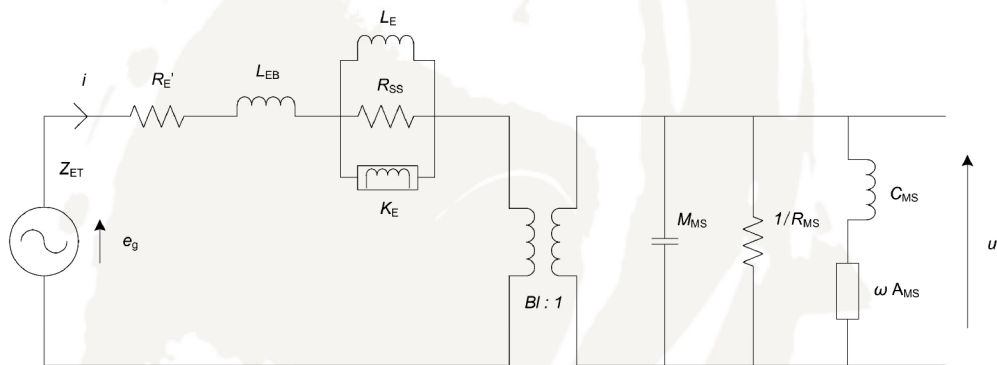
REVELATOR

MIDRANGE

15M/8631G00



Advanced Parameters (Preliminary)



Electrical data

| | |
|-------------------------------|------------|
| Resistance [$R_{E'}$] | - Ω |
| Free inductance [L_{EB}] | - mH |
| Bound inductance [L_E] | - mH |
| Semi-inductance [K_E] | - SH |
| Shunt resistance [R_{SS}] | - Ω |

Mechanical Data

| | |
|------------------------------------|--------|
| Force Factor [Bl] | - Tm |
| Moving mass [M_{MS}] | - g |
| Compliance [C_{MS}] | - mm/N |
| Mechanical resistance [R_{MS}] | - kg/s |
| Admittance [A_{MS}] | - mm/N |