

# DF10.142LM

Lavoce

## 1" COMPRESSION DRIVER

FERRITE MAGNET

### PRELIMINARY

- 1.4 INCH CCAW VOICE COIL
- 106 dB/SPL SENSITIVITY
- 50 W PROGRAM POWER HANDLING
- FEM OPTIMIZED MOTOR, PHASEPLUG AND DIAPHRAGM
- 1500 - 20000 Hz FREQUENCY RANGE
- POLYESTER DIAPHRAGM



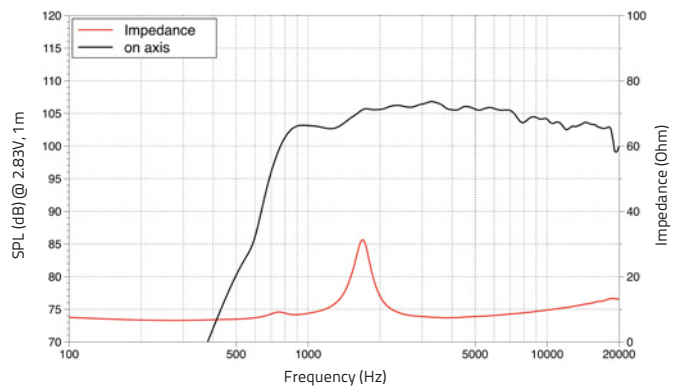
### GENERAL SPECIFICATIONS

Throat diameter	mm (in.)	25,4 (1)
Nominal impedance	$\Omega$	8
Minimum impedance	$\Omega$	7,4
Program power (1)	W	50
AES Power rating (2)	W	25
Sensitivity (3)	dB	106
Frequency range	Hz	1500 ÷ 20000
Voice coil diameter	mm (in.)	35 (1.4)
Magnet material	Ferrite	
Magnet OD	mm (in.)	90 (3.5)
Coil material	CCA W	
Former material	Kapton	
Diaphragm material	Polyester	
Surround material	Polyester	
Voice coil Inductance	mH	0,09
Flux density	T	1,5
Recommended crossover (4)	Hz	2200
Driver displacement volume	l (ft <sup>3</sup> )	0,2 (0.007)

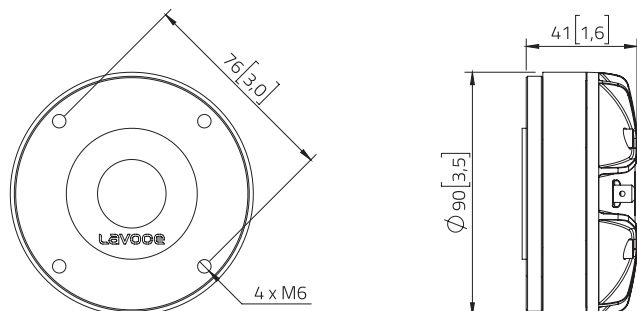
### SHIPPING INFORMATION

Net weight	kg (lb.)	0,9 (2.0)
Multipack size (12)	mm	498 x 412 x 85
W x D x H	(in.)	(19.6 x 16.2 x 3.3)
Multipack weight	kg (lb.)	13,5 (29.7)

### FREQUENCY RESPONSE



### DIMENSIONS mm (in.)



(1) Program power is defined as 3 dB greater than AES Power. (2) Horn loaded test for 2h with continuous, band-limited (2200-20000 Hz, 12dB/oct.) pink noise as per AES 2-1984 Rev. 2003. (3) Measured on axis at 2.83V, 1m, driver loaded with HD1003 horn, SPL averaged in the frequency range 1500 ÷ 20000 Hz. (4) High pass filter with slope 12dB/oct. or higher.

All specifications subject to change without notice\_C.a

WWW.LAVOCESPEAKERS.COM



Lavoce Italiana

sales@lavocespeakers.com sales.cn@lavocespeakers.com