

PUNCH[®]

WIRED
REMOTE

PMX-0R



Serial Number: _____

Date of Purchase: _____

Introduction

Dear Customer,

Congratulations on your purchase of the world's finest brand of audio products. At Rockford Fosgate we are fanatics about musical reproduction at its best, and we are pleased you chose our product. Through years of engineering expertise, hand craftsmanship and critical testing procedures, we have created a wide range of products that reproduce music with all the clarity and richness you deserve.

For maximum performance we recommend you have your new Rockford Fosgate product installed by an Authorized Rockford Fosgate Dealer, as we provide specialized training through Rockford Technical Training Institute (RTTI). Please read your warranty and retain your receipt and original carton for possible future use.

Great product and competent installations are only a piece of the puzzle when it comes to your system. Make sure that your installer is using 100% authentic installation accessories from Rockford Fosgate in your installation. Rockford Fosgate has everything from RCA cables and speaker wire to power wire and battery connectors. Insist on it! After all, your new system deserves nothing but the best.

To add the finishing touch to your new Rockford Fosgate image, order your Rockford accessories, which include everything from T-shirts to hats.

Visit our web site for the latest information on all Rockford products;
www.rockfordfosgate.com

or, in the U.S. call 1-800-669-9899 or FAX 1-800-398-3985. For all other countries, call +001-480-967-3565 or FAX +001-480-966-3983.

Table of Contents

- 2 Introduction
- 5-6 Features/Mounting
- 7-10 French, Spanish, German and Italian
- 11 Limited Warranty Information

If, after reading your manual, you still have questions regarding this product, we recommend that you see your Rockford Fosgate dealer. If you need further assistance, you can call us direct at 1-800-669-9899. Be sure to have your serial number, model number and date of purchase available when you call.

PRACTICE SAFE SOUND

Continuous exposure to sound pressure levels over 100dB may cause permanent hearing loss. High powered auto sound systems may produce sound pressure levels well over 130dB. Use common sense and practice safe sound.

Safety

This symbol with “WARNING” is intended to alert the user to the presence of important instructions. Failure to heed the instructions will result in severe injury or death.



This symbol with “CAUTION” is intended to alert the user to the presence of important instructions. Failure to heed the instructions can result in injury or unit damage.



To prevent injury and damage to the unit, please read and follow the instructions in this manual. We want you to enjoy this system, not get a headache.

If you feel unsure about installing this system yourself, have it installed by a qualified Rockford Fosgate technician.

Before installation, disconnect the battery negative (-) terminal to prevent damage to the unit, fire and/or possible injury.

FCC Compliance Statement

This equipment has been tested and found to comply with the limits for a Class B digital device, pursuant to part 15 of the FCC Rules. These limits are designed to provide more reasonable protection against harmful interference in a residential installation.

Operation is subjected to the following two conditions: (1) This device may not cause harmful interference, and (2) the device must accept any interference received, including interference that may cause undesired operation.

This equipment generates, uses, and can radiate radio frequency energy and, if not installed and used in accordance with the instructions, may cause harmful interference to radio communications. However, there is no guarantee that interference will not occur in a particular installation. If this equipment does cause harmful interference to radio or television reception, which can be determined by turning the equipment off and on, you are encouraged to try to correct the interference by one of the following measures:

- Reorient or relocate the receiving antenna.
- Increase the separation between the equipment and receiver.
- Connect the equipment into an outlet on a circuit different from that to which the receiver is connected.
- Consult the dealer or an experienced radio/TV technician for help

Contents

- Wired Remote
- Trim Bezel
- Mounting Plate
- U Bracket
- Screws
- Installation & Operation Manual

©2015 Rockford Corporation. All Rights Reserved. ROCKFORD FOSGATE, PUNCH® and associated logos where applicable are registered trademarks of Rockford Corporation in the United States and/or other countries. All other trademarks are the property of their respective owners. Specifications subject to change without notice.

Features/Mounting

Rotary Encoder

This knob is for adjusting main volume, zone volumes, menu navigation and setting adjustments.

REV / FWD button

Use this button to skip back and forward through channels or tracks with a short press. Long pressing will activate manual seek mode.

POWER button

This button allows you to power the unit ON and OFF by short pressing.

SRC Button

This button allows you to switch between sources by short pressing.

ISO 8846 / SAE J1171 Certified

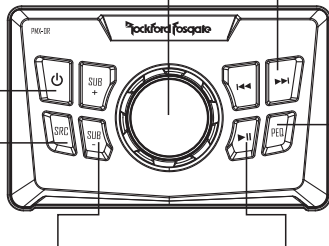
Compatible with PMX-8BB, PMX-5 and PMX-2 source units. (3 Remote Limit, 100 ft Total Wired Distance)

SUB Buttons

These buttons allow you to adjust the subwoofer output or rear line out UP or DOWN (0-20).

PLAY / PAUSE button

Press this button to play or pause your music. This button also acts as a MUTE when the source is in AUX & TUNER mode.



PEQ button

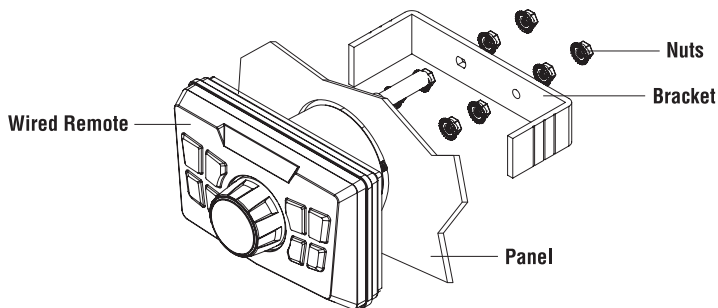
Pressing this button give you access to change the PEQ level. Use the rotary encoder to adjust PEQ levels (0-12).

Features/Mounting

Mounting

To mount the unit, you will need to find a flat surface with adequate clearance behind that provides enough clearance for the unit and all it's necessary wiring.

1. Once you have determined a mounting location, you will need to cut a circular hole 2" (52mm) in diameter.
2. After the hole is cut slide the unit and wiring into through the hole.
3. Take the U bracket and slide over the two studs on the back of the unit. Tighten down with supplied nuts.
4. Press on the trim bezel on the front side of the unit.
5. Plug in all wiring harnesses and cables. Refer to the wiring diagram for wire harness connection types.



Encodeur rotatif

Ce bouton sert à ajuster le volume principal, les volumes de zones, la navigation du menu et les réglages des paramètres.

Bouton POWER (ALIMENTATION)

Ce bouton permet d'activer et de désactiver l'unité par une pression courte.

Bouton SRC

Ce bouton permet de commuter entre les sources par une pression courte.

Certifié ISO 8846 / SAE J1171

Compatible avec les unités sources PMX-8BB, PMX-5 et PMX-2. (Limite de 3 télécommandes, distance câblée totale de 30 m)

Boutons SUB

Ces boutons permettent d'ajuster la sortie du subwoofer ou la ligne arrière vers le haut ou vers le bas (0-20).

Bouton PLAY/PAUSE (LECTURE/PAUSE)

Appuyer sur ce bouton pour jouer ou pauser la musique.

Ce bouton sert aussi de VEILLEUSE quand la source est en mode AUX et TUNER.

Bouton PEQ

Appuyer sur ce bouton pour pouvoir modifier le niveau PEQ. Utiliser l'encodeur rotatif pour ajuster les niveaux PEQ (0-12).

Bouton REV/FWD

Utiliser ce bouton pour sauter en arrière et en avant parmi les chaînes ou les pistes avec une pression courte. Une pression longue activera le mode de recherche manuelle.

Montage

Pour monter l'unité, il faudra une surface plate disposant d'un dégagement adéquat derrière qui offre suffisamment de dégagement pour l'unité et tout son câblage nécessaire.

1. Une fois que l'emplacement de montage aura été déterminé, il faudra couper un trou circulaire de 52 mm de diamètre.
2. Une fois le trou coupé, faire glisser l'unité et le câblage à travers le trou.
3. Prendre le support en U et faire glisser les deux goujons sur l'arrière de l'unité. Serrer avec les écrous fournis.
4. Appuyer sur la lunette profilée sur le devant de l'unité.
5. Brancher les faisceaux de câblage et les câbles. Consulter le schéma de câblage pour les types de connexion de faisceaux de câbles.

Codificador giratorio

Esta perilla es para ajustar el volumen principal, volúmenes de zona, menú de navegación y ajustes de la configuración.

Botón POWER (encendido)

Al presionarlo brevemente, este botón le permite encender y apagar la unidad (ON y OFF).

Botón SRC

Este botón le permite conmutar entre fuentes presionando brevemente.

Certificado bajo ISO 8846 / SAE J1171

Compatible con las unidades de fuente PMX-8BB, PMX-5 y PMX-2. (Límite de 3 remotos, 100 pies de distancia total de cableado)

Botones SUB

Estos botones le permiten ajustar la salida del subwoofer o de SUBIR (UP) o BAJAR (DOWN) (0-20) la salida de línea posterior.

Botón PLAY/PAUSE (REPRODUCCION/PAUSA)

Presione este botón para reproducir o pausar su música.

Este botón también actúa como MUTE (SILENCIAMIENTO) cuando la fuente está en el modo AUX & TUNER (AUXILIAR Y SINTONIZADOR).

Botón PEQ

Presionar este botón le permite acceso para cambiar el nivel PEQ. Use el codificador giratorio para ajustar los niveles PEQ (0 a 12).

Botón REV / FWD

Use este botón para desplazarse hacia atrás y adelante a través de canales o pistas presionando ligeramente. Si se presiona durante largo tiempo se activa el modo de búsqueda manual.

Montaje

Para montar la unidad, deberá encontrar una superficie plana con espacio suficiente atrás para que proporcione suficiente separación para la unidad y todo el cableado necesario.

1. Una vez que haya determinado un lugar para el montaje, tendrá que cortar un agujero circular de 2 pulg. (52mm) de diámetro.
2. Después de haber cortado el agujero deslice la unidad y el cableado a través del agujero.
3. Tome el soporte en "U" y deslícelo arriba de la parte posterior de la unidad. Apriete hacia abajo usando los tornillos proporcionados.
4. Presione el marco decorativo en el lado delantero de la unidad.
5. Enchufe todos los arneses de cableado y los cables. Consulte el diagrama de cableado para ver los tipos de conexión de arneses de cables.

Drehgeber

Mit diesem Knopf werden Hauptlautstärke, Zonenlautstärke, Menünavigation und Anpassungen der Einstellungen eingestellt.

POWER Netzschalter

Zum Ein- und Ausschalten (ON und OFF) des Geräts die Taste kurz drücken.

SRC-Taste

Mit dieser Taste kann man durch kurzes Drücken die Sources wechseln.

Nach ISO 8846 / SAE J1171 zertifiziert

Mit den Source-Geräten PMX-8BB, PMX-5 und PMX-2 kompatibel. (Limit 3 Fernbedienungen, Gesamtkabellänge 33 m)

SUB-Tasten

Über diese Tasten wird der Subwoofer-Ausgang oder der hintere Line-out nach oben (UP) oder unten (DOWN) eingestellt (0-20).

PLAY/PAUSE-Taste

Diese Taste für die Musik-Wiedergabe oder Unterbrechung drücken.

Diese Taste dient gleichzeitig als MUTE-Taste (Stummschalttaste), wenn die Source im AUX & TUNER-Modus ist.

PEQ-Taste

Zum Ändern des PEQ-Levels diese Taste drücken. Mit dem Drehgeber die PEQ-Levels (0-12) einstellen.

REV/FWD-Taste

Durch kurzes Drücken dieser Taste durch die Kanäle oder Titel zurück- oder vorspringen. Langes Drücken aktiviert den manuellen Suchmodus.

Einbau

Für den Einbau des Gerätes eine flache Oberfläche mit genügend Freiraum hinten finden, um genügend Abstand für das Gerät und alle erforderlichen Kabel zu haben.

1. Nach der Festlegung der Befestigungsstelle ein rundes Loch mit einem Durchmesser von 52 mm ausschneiden.
2. Nach dem Ausschneiden des Lochs das Gerät und die Kabel durch das Loch führen.
3. U-Form-Halterung herausnehmen und über die zwei Stifte auf der Rückseite des Geräts schieben. Mit den mitgelieferten Schraubenmuttern festziehen.
4. Die Fassung auf die Vorderseite des Geräts aufdrücken.
5. Alle Kabelbäume und Kabel einstecken. Weitere Informationen zu den Arten von Kabelbaumanschlüssen sind im Schaltplan enthalten.

Encoder rotativo

La manopola regola il volume principale, i volumi delle zone, lo spostamento nei menu e la regolazione delle impostazioni.

Pulsante POWER (alimentazione)

Con questo pulsante si accende ON o spegne OFF l'unità premendo brevemente.

Pulsante SRC

Questo pulsante consente di scegliere la fonte premendo brevemente.

Certificato ISO 8846 / SAE J1171

Compatibile con unità di fonte PMX-8BB, PMX-5 e PMX-2. (3 limite remoto, 30,5 m totale distanza cablata)

Pulsanti SUB

Questi pulsanti regolano l'uscita del subwoofer o della linea di uscita posteriore UP (su) o DOWN (giù) (0-20).

Pulsante PLAY / SOSPENDE

Premere questo pulsante per riprodurre o sospendere la musica.

Questo pulsante ha anche la funzione MUTE per la disattivazione dell'audio quando la fonte è nella modalità AUX e TUNER.

Pulsante PEQ

Premendo questo pulsante si accede alla modifica del livello PEQ. Usare l'encoder rotatorio per regolare i livelli PEQ (0-12).

Pulsante REV / FWD (inversione / avanzamento)

Usare questo pulsante per saltare al canale o brano precedente o successivo premendo brevemente. Premendo a lungo si attiva la modalità di ricerca manuale.

Montaggio

Per montare l'unità trovare una superficie piana con spazio libero dietro per avere spazio sufficiente per l'unità e tutto il cablaggio necessario.

1. Dopo avere scelto il luogo di montaggio tagliare un foro circolare con un diametro di 52 mm.
2. Dopo aver tagliato il foro far passare l'unità e il cablaggio attraverso il foro.
3. Prendere la staffa a forma U e farla scivolare sopra i due perni sul retro dell'unità. Fissare con i dadi forniti avvitandoli.
4. Premere la cornice sulla parte frontale dell'unità.
5. Inserire tutti i cablaggi e cavi. Fare riferimento al diagramma per i tipi di connessione dei cablaggi.

Warranty

Rockford Corporation offers a limited warranty on Rockford Fosgate products on the following terms:

Length of Warranty

- POWER Amplifiers – 2 Years
- BMW® Direct Fit Speakers – 2 Years
- Source Units – 1 Year
- All other products – 1 Year
- Any Factory Refurbished Product – 90 days (receipt required)

What is Covered

This warranty applies only to Rockford Fosgate products sold to consumers by Authorized Rockford Fosgate Dealers in the United States of America or its possessions. Product purchased by consumers from an Authorized Rockford Fosgate Dealer in another country are covered only by that country's Distributor and not by Rockford Corporation.

Who is Covered

This warranty covers only the original purchaser of Rockford product purchased from an Authorized Rockford Fosgate Dealer in the United States. In order to receive service, the purchaser must provide Rockford with a copy of the receipt stating the customer name, dealer name, product purchased and date of purchase. Products found to be defective during the warranty period will be repaired or replaced (with a product deemed to be equivalent) at Rockford's discretion.

What is Not Covered

1. Damage caused by accident, abuse, improper operations, water, theft, shipping.
2. Any cost or expense related to the removal or reinstallation of product.
3. Service performed by anyone other than Rockford or an Authorized Rockford Fosgate Service Center.
4. Any product which has had the serial number defaced, altered, or removed.
5. Subsequent damage to other components.
6. Any product purchased outside the U.S.
7. Any product not purchased from an Authorized Rockford Fosgate Dealer.

Limit on Implied Warranties

Any implied warranties including warranties of fitness for use and merchantability are limited in duration to the period of the express warranty set forth above. Some states do not allow limitations on the length of an implied warranty, so this limitation may not apply. No person is authorized to assume for Rockford Fosgate any other liability in connection with the sale of the product.

How to Obtain Service

Contact the Authorized Rockford Fosgate Dealer you purchased this product from. If you need further assistance, call 1-800-669-9899 for Rockford Customer Service. You must obtain an RA# (Return Authorization number) to return any product to Rockford Fosgate. You are responsible for shipment of product to Rockford.

EU Warranty

This product meets the current EU warranty requirements, see your Authorized dealer for details.

Installation assistance available at:

RFTECH

www.rockfordfosgate.com/rftech

Printed in China

1230-59542-01-D

091515

600 South Rockford Drive • Tempe, Arizona 85281 United States
Direct: (480) 967-3565 • Toll Free: (800) 669-9899

ROCKFORDFOSGATE.COM



FC