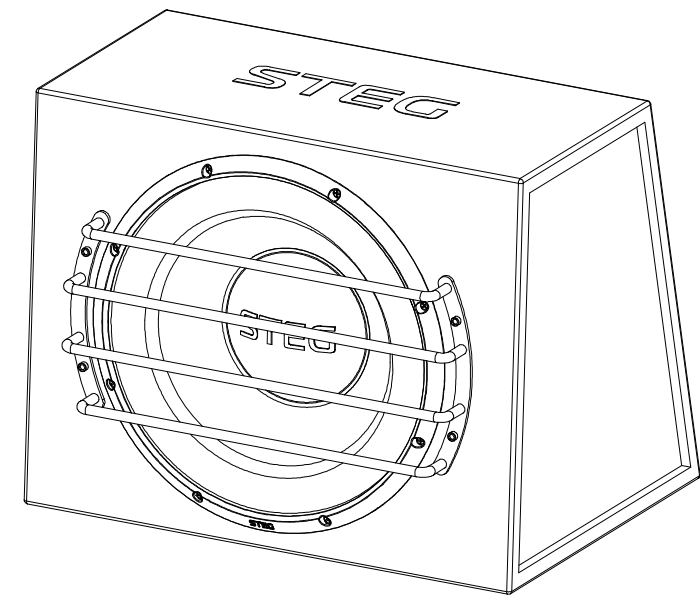
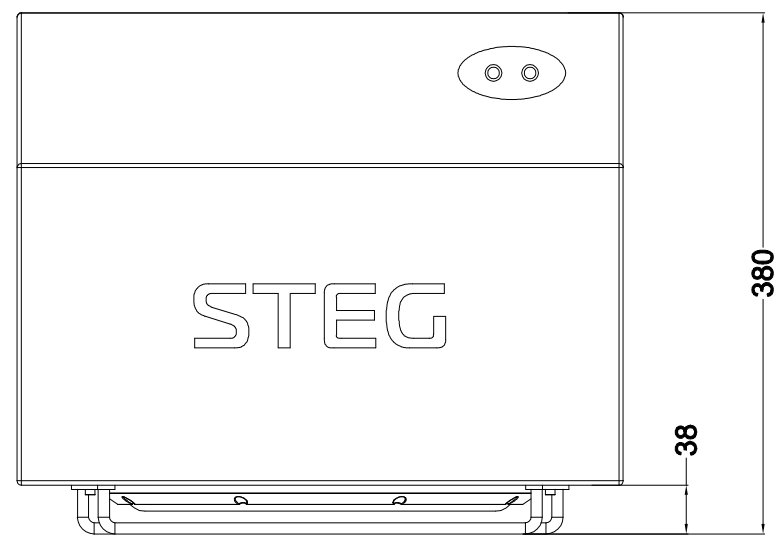


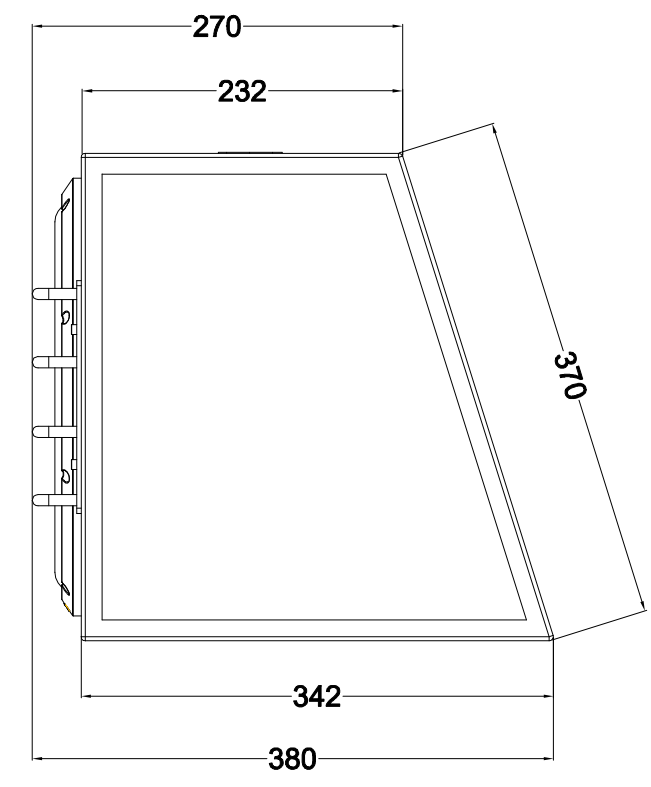
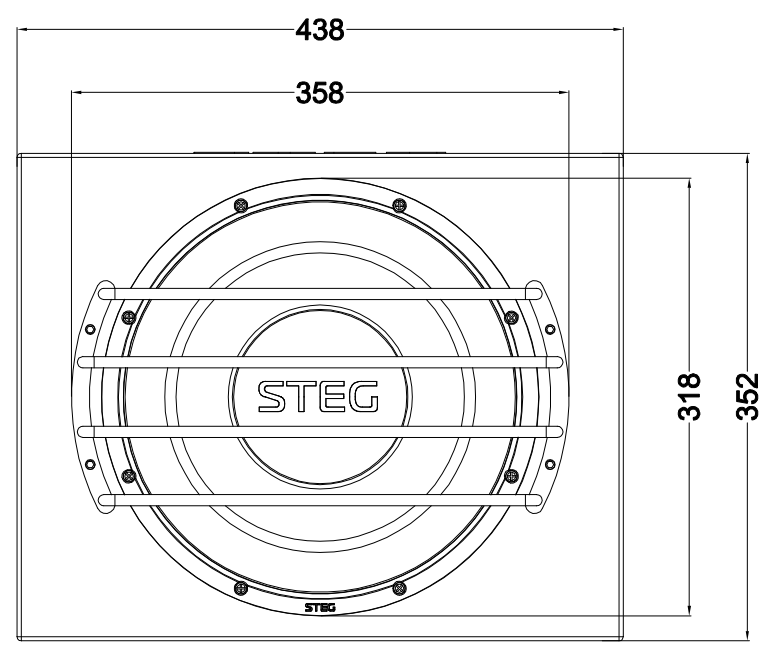
A B C D E F

MARK	REVISION RECORD	DATE	DRAWN	APPROVED
A				
B				
C				

1



2



3

TOLERANCE TABLE

ANGLE	±1°
≤4	±0.1
4≤16	±0.2
16≤63	±0.3
63≤250	±0.4
250≤350	±0.5
350≤500	±0.6

4

1.					V1.0
NO.	PART NO.	MATERIAL	FINISH	Q' TY	VERSION
GRAPHICS		SCALE	1/1	PART NAME	The box subwoofers
APPROVED BY		UNIT	m/m	MODEL	ST12
DESIGNED BY			DATE	2016-11-22	

A B C D E F