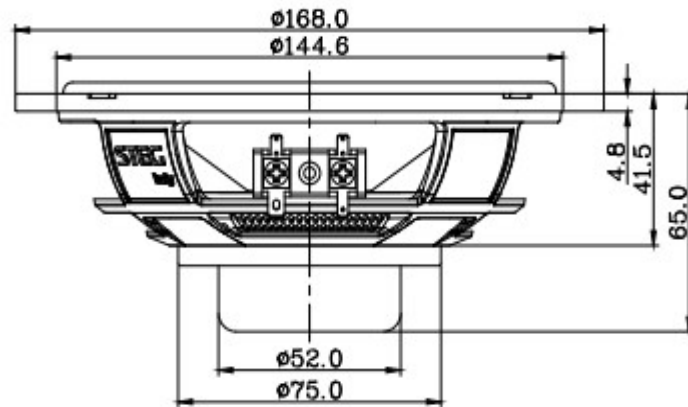
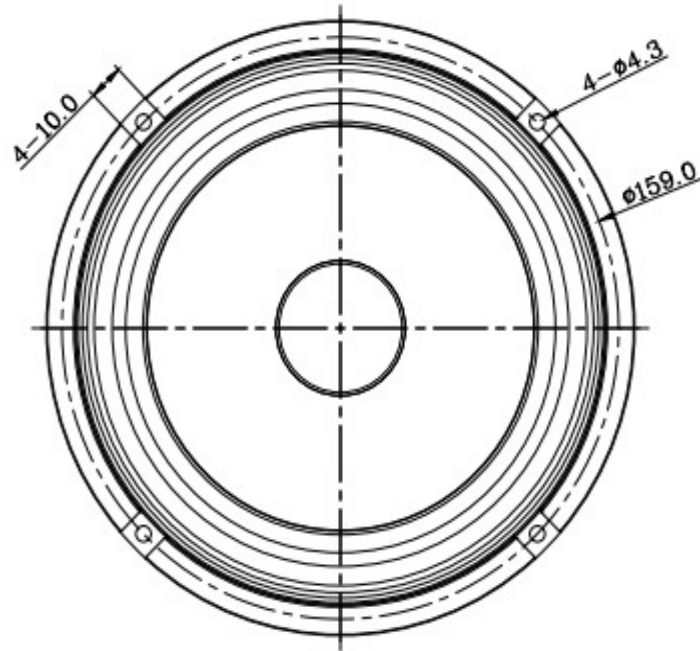


Speaker Model:Principe

IAPHRAGM MTRubber+Bullet proof cotton
 NOMINAL IMPEDANCE: $4.0 \pm 15\% \Omega$
 DCR IMPEDANCE: $3.4 \pm 10\% \Omega$
 SENSITIVITY 1W/1M: $86.0 \pm 3 \text{ dB}$
 FREQUENCY RESPONSE: 50-10K Hz
 FREE AIR RESONANCE: $50 \pm 20\% \text{ Hz}$
 VOICE COIL DIAMETER: 35.5 mm
 RATED POWER INPUT: 50 W
 MAXIMUM POWER INPUT: 70 W
 MAGNET WEIGHT(OZ): NEO
 FERRO FLUID ENHANCED: NO

Qms: 3.9
 Qes: 0.57
 Qts: 0.49
 BL: 4.6



SPL vs Freq



Impedance vs Freq

