

KICKER[®]

KSC | *Speakers*

KS COAX & 3-WAY SPEAKERS

KSC350 | KSC40 | KSC460 | KSC4100 | KSC50
KSC650 | KSC670 | KSC680 | KSC690 | KSC6930

Owner's Manual | English

Manual del Propietario | Español
Altavoz Coax KS

Benutzerhandbuch | Deutsch
KS Koax-System

Manuel d'utilisation | Française
Haut-parleurs Coaxiaux KS



KS COAXIAL AND 3-WAY SPEAKERS OWNER'S MANUAL

MODEL:

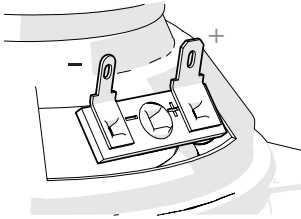
**KSC350 | KSC40 | KSC460 | KSC4100
KSC5250 | KSC60 | KSC650 | KSC680
KSC690 | KSC6930**

IMPORTANT SAFETY WARNING

Prolonged continuous operation of an amplifier, speaker, or subwoofer in a distorted, clipped or over-powered manner can cause your audio system to overheat, possibly catching fire and resulting in serious damage to your components and/or vehicle. Amplifiers require up to 4 inches (10cm) open ventilation. Subwoofers should be mounted with at least 1 inch (2.5cm) clearance between the front of the speaker and any surface.

KS COAXIAL SPEAKERS

The KICKER KS speakers offer an excellent upgrade to your vehicle's factory sound system, delivering great full-range sound at an amazing value! Whether dropping the KS speakers in a factory location or customizing your install, their high-efficiency design means less power is needed to play your music, while our use of advanced materials and construction techniques ensures optimal performance for years to come.

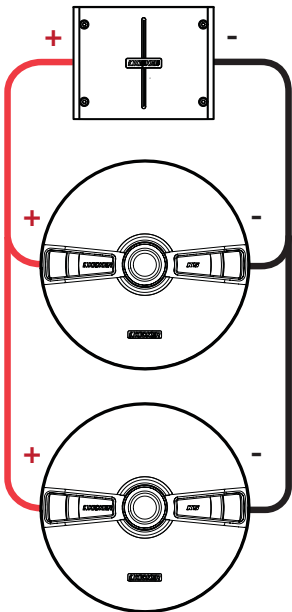
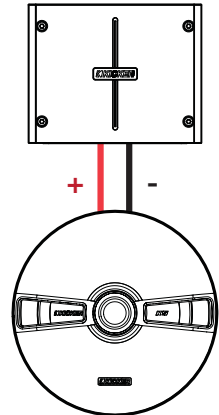


Connect wiring to terminals

WIRING

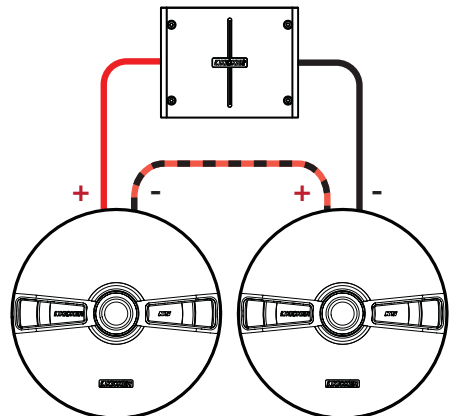
We recommend using 16 gauge (or larger) wire. The KS Speakers are rated at 4 ohms and work with any source unit or amplifier designed to operate at a 4 ohm load. **Make sure your source unit or amplifier is rated for 4 ohm operation.**

source unit / amplifier



Two KS Speakers wired in parallel to a single channel
Total Impedance: 2 ohms

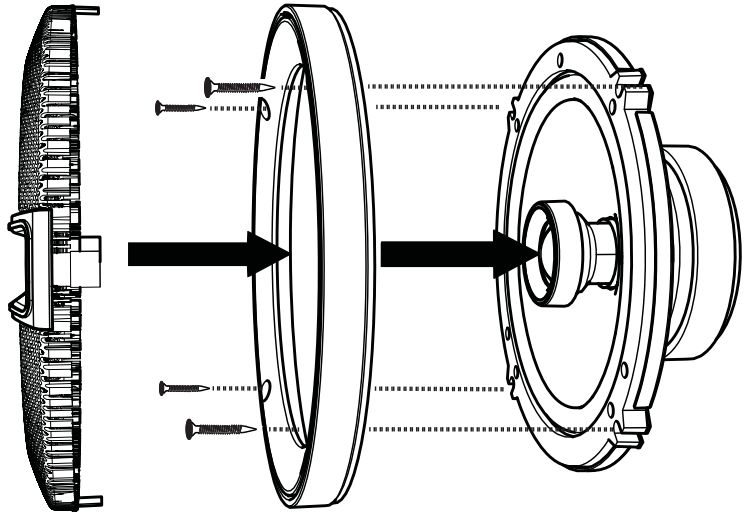
Two KS Speakers wired in series to a single channel
Total Impedance: 8 ohms



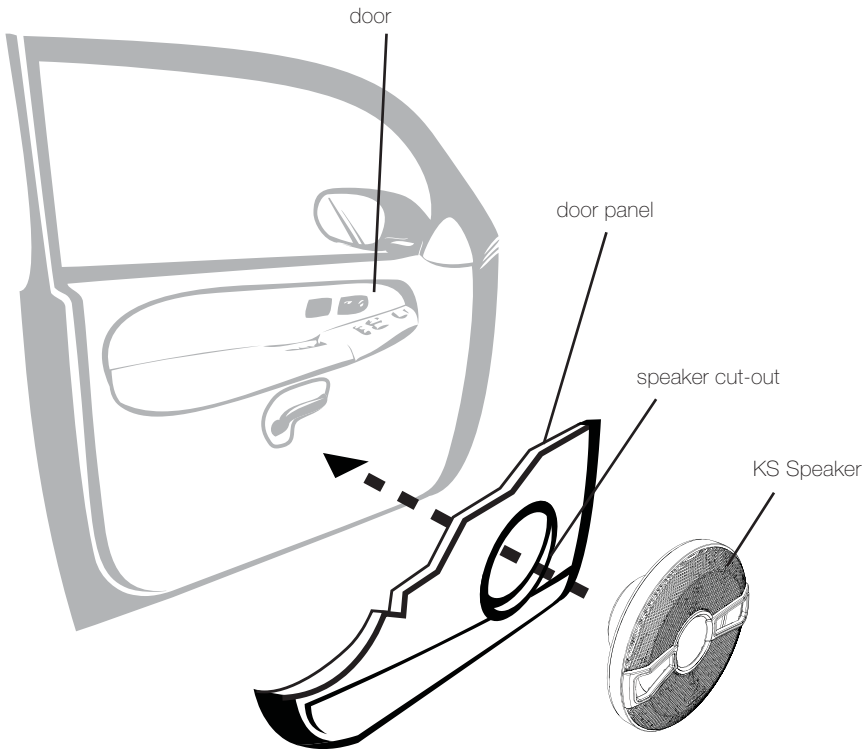
PERFORMANCE

Model:	KSC350	KSC40	KSC460	KSC4100	KSC50	KSC650	KSC670	KSC680	KSC690	KSC6930
Speaker Design	2 - Way	2 - Way	2 - Way	2 - Way	2 - Way	2 - Way	2 - Way	2 - Way	2 - Way	3 - Way
Woofer [in, mm]	3-1/2, 89	4, 100	4x6, 100x160	4x10, 100x250	5-1/4, 130	6-1/2, 160	6-3/4, 165	6x8, 160x200	6x9, 160x250	6x9, 160x230
Mid [in, mm]	-	-	-	-	-	-	-	-	-	1, 25
Tweeter [in, mm]	1/2, 13	1/2, 13	1/2, 13	1/2, 13	3/4, 20	3/4, 20	3/4, 20	3/4, 20	1, 25	3/4, 20
Rated Impedance [Ω]	4	4	4	4	4	4	4	4	4	4
Peak Power Handling [Watts]	100	150	150	150	150	200	200	150	300	300
Continuous Power Handling [Watts RMS]	50	75	75	75	75	100	100	75	150	150
Sensitivity [1W, 1m]	88	88	88	88	90	90	90	90	92	92
Frequency Response [Hz]	80-20k	60-20k	50-20k	45-20k	45-21k	43-21k	40-21k	45-21k	30-21k	30-21k
Mounting Hole Diameter [in, mm]	3-1/16, 78	3-11/16, 94	4x5-5/16, 101x151	3-7/8x9-3/8, 99x238	4-1/2, 115	4-13/16, 123	5-9/16, 141	5x7-3/16, 127x182	5-11/16x8-7/16, 144x215	5-11/16x8-7/16, 144x215
Top Mount Depth [in, mm]	1-5/8, 42	1-13/16, 46	1-11/16, 44	2-3/8, 61	1-3/4, 45	1-13/16, 46	1-13/16, 46	2-1/4, 58	3-3/16, 81	3-1/8, 80
Bottom Mount Depth [in, mm]	1-7/8, 49	2-1/16, 51	2, 51	2-13/16, 71	2, 52	2-3/16, 54	2, 50	2-5/8, 67	3-11/16, 93	3-5/8, 92
Tweeter Protrusion [in, mm]	3/16, 4	0	1/16, 2	0	1/4, 6	5/16, 8	3/8, 10	1/16, 2	0	0
Grilles	No	Yes	No	No	Yes	Yes	Yes	No	Yes	Yes
Tweeter Magnet Material	Neodymium	Neodymium	Neodymium	Neodymium	Neodymium	Neodymium	Neodymium	Neodymium	Neodymium	Neodymium
Tweeter Dome Material	Silk	Silk	Silk	Silk	Silk	Silk	Silk	Silk	Silk	Silk
Tweeter Design	Balanced dome	Balanced dome	Balanced dome	Balanced dome	Dome	Dome	Dome	Dome	Dome	Dome
Woofer Cone Material	Polypropylene	Polypropylene	Polypropylene	Polypropylene	Polypropylene	Polypropylene	Polypropylene	Polypropylene	Polypropylene	Polypropylene
Woofer Surround Material	Rubber	Rubber	Rubber	Rubber	Rubber	Rubber	Rubber	Rubber	Rubber	Rubber

MOUNTING



Secure speaker to desired location



Pro Tip: You're a KICKER amplifier and a few cables away from a full system upgrade that will dominate any factory system! KICKER line of amplifiers make it easy to upgrade to solid bass with your existing or stock source unit. Also, ask your dealer about KICKER Subwoofer upgrades.

ACOUSTICS LIMITED WARRANTY

When purchased from an Authorized KICKER Dealer, KICKER warrants this product to be free from defects in material and workmanship under normal use for a period of ONE (1) YEAR from date of original purchase. If this product is identified as "Refurbished" or "B Goods", the warranty is limited to a period of THREE (3) MONTHS from date of original purchase. In all cases you must have the original receipt. Should service be necessary under this warranty for any reason due to manufacturing defect or malfunction during the warranty period, KICKER will repair or replace (at its discretion) the defective merchandise with equivalent merchandise. Warranty replacements may have cosmetic scratches and blemishes. Discontinued products may be replaced with more current equivalent products. This warranty is valid only for the original purchaser and is not extended to owners of the product subsequent to the original purchaser. Any applicable implied warranties are limited in duration to a period of the express warranty as provided herein beginning with the date of the original purchase at retail, and no warranties, whether express or implied, shall apply to this product thereafter. Some states do not allow limitations on implied warranties; therefore, these exclusions may not apply to you. This warranty gives you specific legal rights; however you may have other rights that vary from state to state.

WHAT TO DO IF YOU NEED WARRANTY OR SERVICE:

Defective merchandise should be returned to your local Authorized Stillwater Designs (KICKER) Dealer for warranty service. Assistance in locating an Authorized Dealer can be found at www.kicker.com or by contacting Stillwater Designs directly. You can confirm that a dealer is authorized by asking to see a current authorized dealer window decal.

If it becomes necessary for you to return defective merchandise directly to Stillwater Designs (KICKER), call the KICKER Customer Service Department at (405) 624-8510 for a Return Merchandise Authorization (RMA) number. Package only the defective items in a package that will prevent shipping damage, and return to:

Stillwater Designs, 3100 North Husband St, Stillwater, OK 74075

The RMA number must be clearly marked on the outside of the package. Please return only defective component systems. The return of functioning items increases your return freight charges. Non-defective items will be returned freight collect to you. For example, if a subwoofer is defective, only return the defective subwoofer, not the entire enclosure. Include a copy of the original receipt with the purchase date clearly visible, and a "proof-of-purchase" statement listing the Customer's name, Dealer's name and invoice number, and product purchased. Warranty expiration on items without proof-of-purchase will be determined from the type of sale and manufacturing date code. Freight must be prepaid; items sent freight-collect, or COD, will be refused.

WHAT IS NOT COVERED?

This warranty is valid only if the product is used for the purpose for which it was designed. It does not cover:

- o Damage due to improper installation
- o Subsequent damage to other components
- o Damage caused by exposure to moisture, excessive heat, chemical cleaners, and/or UV radiation
- o Damage through negligence, misuse, accident or abuse. Repeated returns for the same damage may be considered abuse
- o Any cost or expense related to the removal or reinstallation of product
- o Speakers damaged due to amplifier clipping or distortion
- o Items previously repaired or modified by any unauthorized repair facility
- o Return shipping on non-defective items
- o Products with tampered or missing barcode labels
- o Products with tampered or missing serial numbers
- o Products returned without a Return Merchandise Authorization (RMA) number
- o Products purchased from an UNAUTHORIZED dealer
- o Freight Damage
- o The cost of shipping product to KICKER
- o Service performed by anyone other than KICKER

 **stillwaterdesigns**

HOW LONG WILL IT TAKE?

KICKER strives to maintain a goal of one-week service for all acoustics (subwoofers, midrange drivers, tweeters, crossovers, etc) returns. Delays may be incurred if lack of replacement inventory or parts is encountered. Failure to follow these steps may void your warranty. Any questions can be directed to the KICKER Customer Service Department at (405) 624-8510. Contact your International KICKER dealer or distributor concerning specific procedures for your country's warranty policies.

Note: All specifications and performance figures are subject to change. Please visit www.kicker.com for the most current information. To get the best performance from your new KICKER speakers, we recommend using genuine KICKER accessories and wiring. Please allow two weeks of break-in time for the speakers to reach optimum performance.

P.O. Box 459 • Stillwater, Oklahoma 74076 • USA • (405) 624-8510

MODELO:

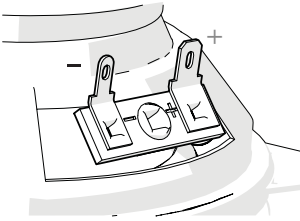
**KSC350 | KSC40 | KSC460 | KSC4100
KSC5250 | KSC60 | KSC650 | KSC680
KSC690 | KSC6930**

IMPORTANTE ADVERTENCIA DE SEGURIDAD

Funcionamiento continuo prolongado de un amplificador, altavoz o subwoofer de una manera distorsionada, recortado o el exceso de potencia puede hacer que el sistema de audio se sobrecaliente, posiblemente la captura de fuego y que resulta en graves daños a sus componentes y / o vehículo. Amplificadores requieren hasta 4 pulgadas (10 cm) de ventilación abierta. Subwoofers deben montarse con el aclaramiento (2,5 cm) por lo menos 1 pulgada entre la parte frontal del altavoz y cualquier superficie.

COAX KS

Los sistemas de Coaxes de la serie KS de KICKER ofrecen una fidelidad de audio inigualable para aplicaciones para vehículos. Ya sea para configurar el último sistema de sonido envolvente con altavoces múltiples y subwoofer o simplemente para mejorar la versión de parlantes aburridos y sin vida de fábrica, los sistemas de Coaxes KS brindan el sonido de gama completa más placentero del mercado en la actualidad!

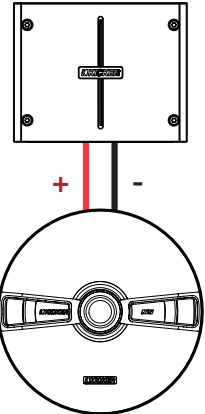


CABLEADO

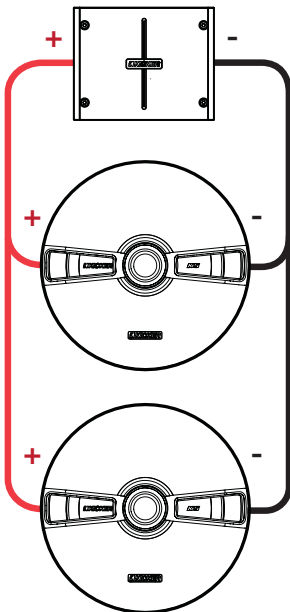
Se recomienda utilizar un cable calibre 16 (o más). Los Coaxes KS están clasificados para 4 ohms y funcionan con cualquier unidad fuente o amplificador diseñado para operar a una carga de 4 ohms.

Asegúrese de que la unidad fuente o el amplificador estén clasificados para funcionar con 4 ohms.

unidad fuente / amplificador

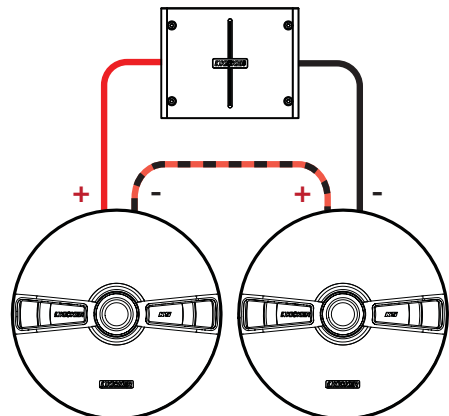


Conecte el cableado a las terminales.



Dos KS Coax altavoces conectaron en la paralelo a un solo canal
Total Impedancia: 2 ohms

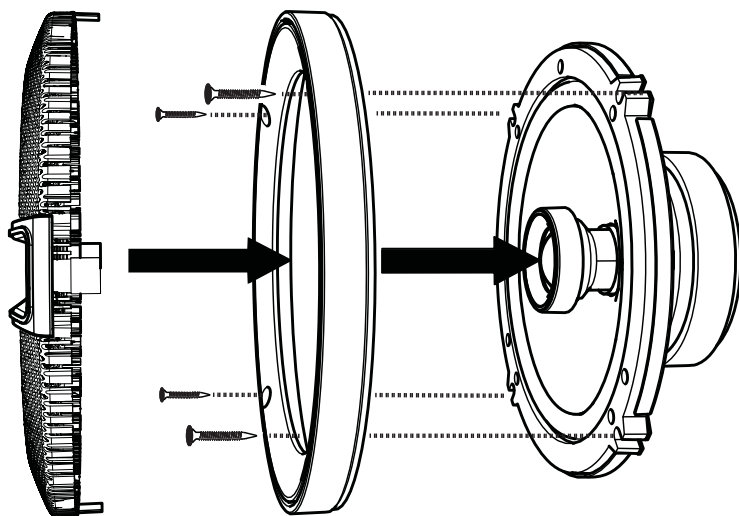
Dos KS Coax altavoces conectaron en la serie a un solo canal
Total Impedancia: 8 ohms



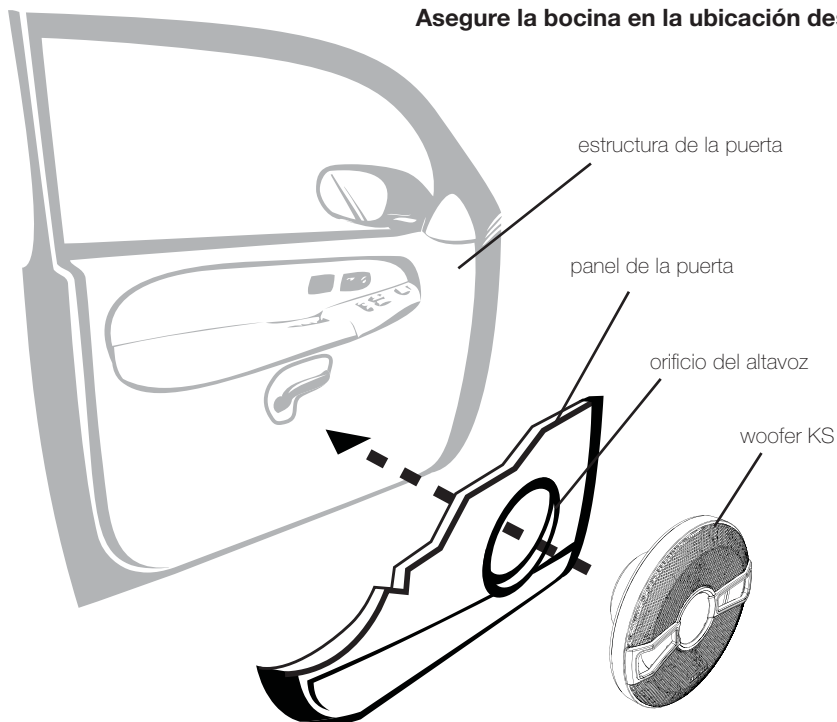
RENDIMIENTO

Modelo:	KSC350	KSC40	KSC460	KSC4100	KSC50	KSC650	KSC670	KSC680	KSC690	KSC6930
Diseño del parlante	2 Vías	2 Vías	2 Vías	2 Vías	2 Vías	2 Vías	2 Vías	2 Vías	2 Vías	3 Vías
Woofer [pulgada, mm]	3-1/2, 89	4, 100	4x6, 100x160	4x10, 100x250	5-1/4, 130	6-1/2, 160	6-3/4, 165	6x8, 160x200	6x9, 160x230	6x9, 160x230
Medio [pulgada, mm]	-	-	-	-	-	-	-	-	-	1, 25
Tweeter [pulgada, mm]	1/2, 13	1/2, 13	1/2, 13	1/2, 13	3/4, 20	3/4, 20	3/4, 20	3/4, 20	1, 25	3/4, 20
Impedancia nominal [Ω]	4	4	4	4	4	4	4	4	4	4
Manejo de potencia máxima [Watts]	100	150	150	150	150	200	200	150	300	300
Manejo de la corriente continua [Watts RMS]	50	75	75	75	75	100	100	75	150	150
Sensibilidad [1W, 1m]	88	88	88	88	90	90	90	90	92	92
Respuesta en frecuencia [Hz]	80-20k	60-20k	50-20k	45-20k	45-21k	43-21k	40-21k	45-21k	30-21k	30-21k
Diámetro del orificio de montaje [pulgadas, mm*]	3-1/16, 78	3-11/16, 94	4x5-5/16, 101x151	3-7/8x9-3/8, 99x238	4-1/2, 115	4-13/16, 123	5-9/16, 141	5x7-3/16, 127x182	5-11/16x8-7/16, 144x215	5-11/16x8-7/16, 144x215
Profundidad del montaje superior [pulgadas, mm]	1-5/8, 42	1-13/16, 46	1-11/16, 44	2-3/8, 61	1-3/4, 45	1-13/16, 46	1-13/16, 46	2-1/4, 58	3-3/16, 81	3-1/8, 80
Profundidad del montaje inferior [pulgadas, mm]	1-7/8, 49	2-1/16, 51	2, 51	2-13/16, 71	2, 52	2-3/16, 54	2, 50	2-5/8, 67	3-11/16, 93	3-5/8, 92
Saliente del tweeter [pulgada, mm]	3/16, 4	0	1/16, 2	0	1/4, 6	5/16, 8	3/8, 10	1/16, 2	0	0
Rejillas	No	Sí	No	No	Sí	Sí	Sí	No	Sí	Sí
Material del magneto del tweeter	Neodimio	Neodimio	Neodimio	Neodimio	Neodimio	Neodimio	Neodimio	Neodimio	Neodimio	Neodimio
Material del tweeter de cúpula	Seda	Seda	Seda	Seda	Seda	Seda	Seda	Seda	Seda	Seda
Diseño del tweeter	Cúpula equilibrada	Cúpula equilibrada	Cúpula equilibrada	Cúpula equilibrada	Cúpula	Cúpula	Cúpula	Cúpula	Cúpula	Cúpula
Material del cono del woofer	Polipropileno	Polipropileno	Polipropileno	Polipropileno	Polipropileno	Polipropileno	Polipropileno	Polipropileno	Polipropileno	Polipropileno
Material envolvente del woofer	Caucho	Caucho	Caucho	Caucho	Caucho	Caucho	Caucho	Caucho	Caucho	Caucho

MONTAJE



Asegure la bocina en la ubicación deseada.



Consejo profesional: ¡Usted es un KICKER Amplificador, y unos pocos cables lejos de un sistema fuerte estéreo! KICKER amplificadores lo hace fácil de mejorar sólido como una roca bajo con su existir estéreo. Pregunte por favor su comerciante acerca de los aumentos de Amplificador de Kicker.

MODELL:

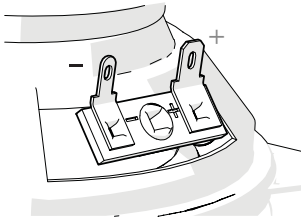
**KSC350 | KSC40 | KSC460 | KSC4100
KSC5250 | KSC60 | KSC650 | KSC680
KSC690 | KSC6930**

WICHTIGE SICHERHEITSHINWEIS

Längerer Dauerbetrieb eines Verstärkers, Lautsprecher oder Subwoofer in einer verzerrt, abgeschnitten oder über betriebene Weise können Sie Ihre Audio-System überhitzen, möglicherweise Feuer fangen und was zu schweren Schäden an der Komponenten und / oder Fahrzeug. Die Verstärker benötigen bis 4 Zoll (10 cm) offen Belüftung auf. Subwoofers sollte mit mindestens 1 Zoll (2,5 cm) Abstand zwischen der Vorderseite der Lautsprecher und jeder Oberfläche angebracht werden.

KS KOAX

Ihr KS Koax-System wurde besonders für "Livin' Loud" in der harten Automwelt entworfen. Es ist Materialien und Konstruktion fortgeschritten beizubehalten, dass ideale Leistung jahrelang kommt.

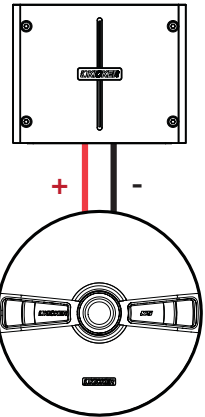


VERKABELUNG

Wir empfehlen die Verwendung eines 16-Gauge-Lautsprecherkabels (oder mehr). Die KS-Koax haben eine Impedanz von 4 Ohm und sind für alle 4-ohmigen Quellen oder Verstärker geeignet.

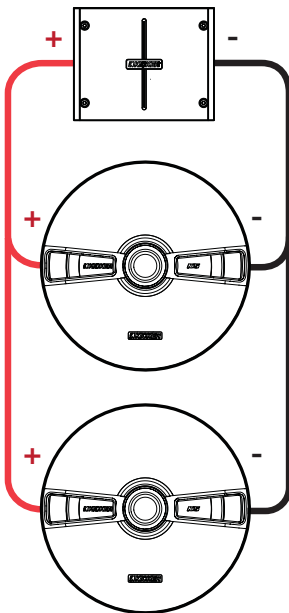
Vergewissern Sie sich, dass Ihre Quelle oder Verstärker für 4-Ohm-Betrieb ausgelegt ist.

Quelle / Verstärker

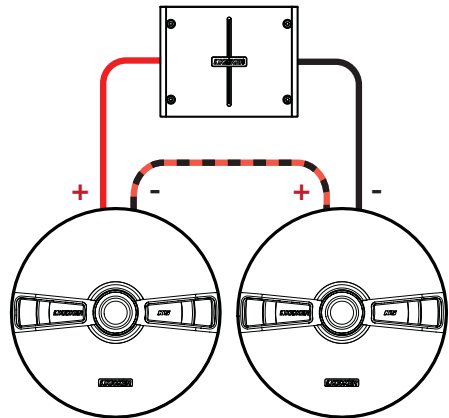


Schließen Sie die Kabel an die Klemmen an.

Zwei KS Koax-Systems an einen einzelnen Kanal Paralleler
Total Impedanz: 2 ohms



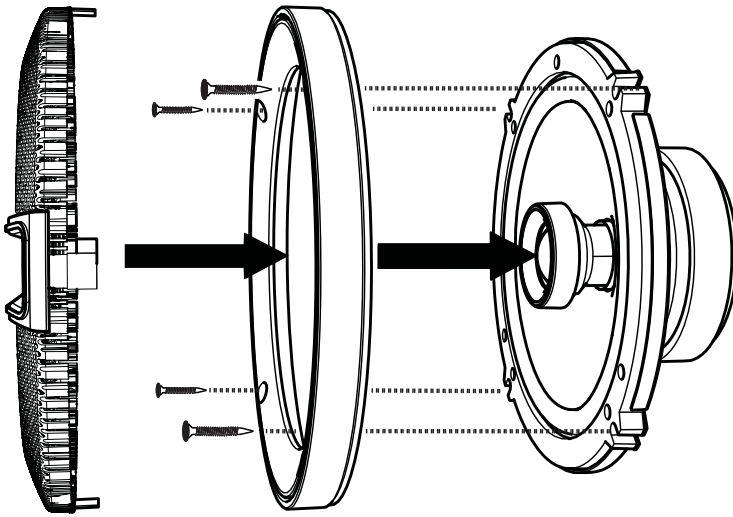
Zwei KS Koax-Systems an einen einzelnen Kanal anschließen
Total Impedanz: 8 ohms



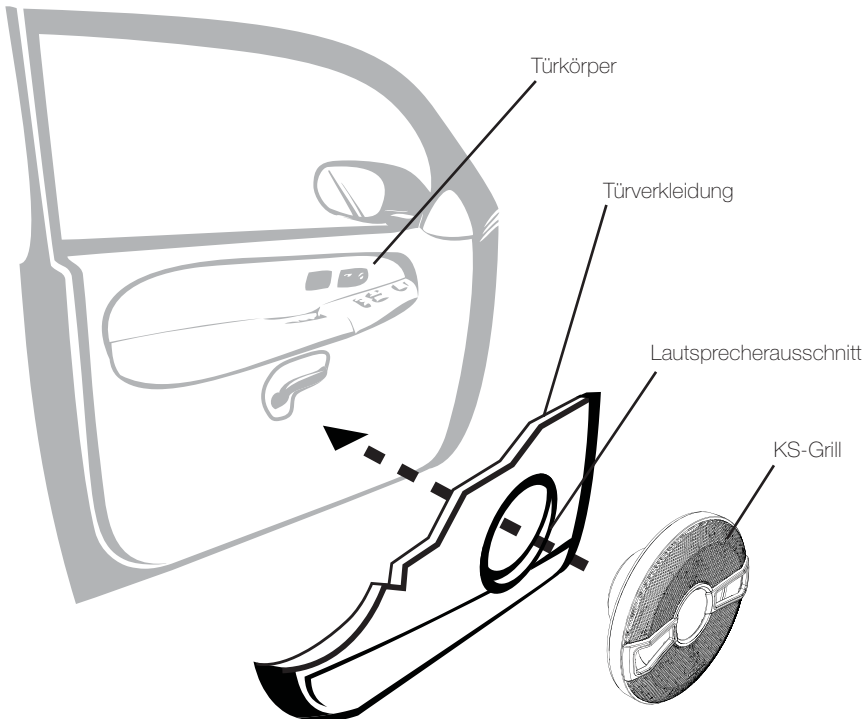
LEISTUNG

Modell:	KSC350	KSC40	KSC460	KSC4100	KSC50	KSC650	KSC670	KSC680	KSC690	KSC6930
Lausprecher-Design	2-Weg	2-Weg	2-Weg	2-Weg	2-Weg	2-Weg	2-Weg	2-Weg	2-Weg	3-Weg
Tiefthöher [in, mm]	3-1/2, 89	4, 100	4x6, 100x160	4x10, 100x250	5-1/4, 130	6-1/2, 160	6-3/4, 165	6x8, 160x200	6x9, 160x230	6x9, 160x230
Mitte [in, mm]	-	-	-	-	-	-	-	-	-	1, 25
Hochthöher [in, mm]	1/2, 13	1/2, 13	1/2, 13	1/2, 13	3/4, 20	3/4, 20	3/4, 20	3/4, 20	1, 25	3/4, 20
Nennimpedanz [Ω]	4	4	4	4	4	4	4	4	4	4
Spitzenbelastbarkeit [Watt]	100	150	150	150	150	200	200	150	300	300
Dauerbelastbarkeit [Watt RMS]	50	75	75	75	75	100	100	75	150	150
Sensitivität [1 W, 1 m]	88	88	88	88	90	90	90	90	92	92
Frequenzgang [Hz]	80–20k	60–20k	50–20k	45–20k	45–21k	43–21k	40–21k	45–21k	30–21k	30–21k
Durchmesser Montageloch [in, mm]	3-1/16, 78	3-11/16, 94	4x5-5/16, 101x151	3-7/8x9-3/8, 99x238	4-1/2, 115	4-13/16, 123	5-9/16, 141	5x7-3/16, 127x182	5-11/16x8-7/16, 144x215	5-11/16x8-7/16, 144x215
Tiefe Oberseitenmontage [in, mm]	1-5/8, 42	1-13/16, 46	1-11/16, 44	2-3/8, 61	1-3/4, 45	1-13/16, 46	1-13/16, 46	2-1/4, 58	3-3/16, 81	3-1/8, 80
Tiefe Unterseitenmontage [in, mm]	1-7/8, 49	2-1/16, 51	2, 51	2-13/16, 71	2, 52	2-3/16, 54	2, 50	2-5/8, 67	3-11/16, 93	3-5/8, 92
Hochthöher-Überstand [in, mm]	3/16, 4	0	1/16, 2	0	1/4, 6	5/16, 8	3/8, 10	1/16, 2	0	0
Grill	Nein	Ja	Nein	Nein	Ja	Ja	Ja	Nein	Ja	Ja
Material Hochthöhermagnet	Neodym	Neodym	Neodym	Neodym	Neodym	Neodym	Neodym	Neodym	Neodym	Neodym
Material Hochtonkalotten	Silk	Silk	Silk	Silk	Silk	Silk	Silk	Silk	Silk	Silk
Design Hochthöher	Balancierte Kalotte	Balancierte Kalotte	Balancierte Kalotte	Balancierte Kalotte	Kalotte	Kalotte	Kalotte	Kalotte	Kalotte	Kalotte
Material Tiefthöherkonus	Polypropylen	Polypropylen	Polypropylen	Polypropylen	Polypropylen	Polypropylen	Polypropylen	Polypropylen	Polypropylen	Polypropylen
Material Tiefthöherisicken	Rubber	Rubber	Rubber	Rubber	Rubber	Rubber	Rubber	Rubber	Rubber	Rubber

EINBAU



Befestigen Sie den Lautsprecher am gewünschten Ort.



Tipp: Sie sind ein KICKER Verstärker, ein Comp Subwoofer Gehäuse und ein paar Kabel weg von einem starken Hifi-System! Die Kicker Verstärker machen es leicht, zu hartem Bass mit Ihrem originalen Radio zu verbessern. Bitte fragen Sie Ihren Kicker Händler nach die Verstärker Nachrüstung.

MODÈLE : **KSC350 | KSC40 | KSC460 | KSC4100**
KSC5250 | KSC60 | KSC650 | KSC680
KSC690 | KSC6930

IMPORTANT AVERTISSEMENT DE SÉCURITÉ

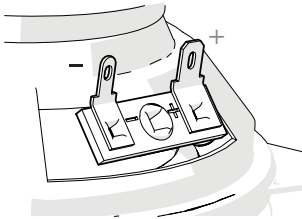
Prolongée fonctionnement continu d'un amplificateur, haut-parleur ou subwoofer d'une manière déformée, coupée ou sur-alimenté peut provoquer votre système audio de surchauffer, éventuellement prendre feu et causer des dommages graves à vos composants et / ou véhicule. Amplificateurs nécessitent jusqu'à 4 pouces (10cm) de ventilation ouverte. Subwoofers doivent être montés avec au moins 1 pouce (2,5 cm) entre l'avant de l'enceinte et toute surface.

COAXIAUX KS

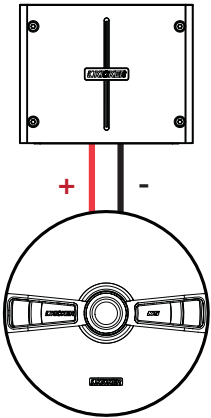
Vos haut-parleurs de KS coaxiaux ont été conçus pour l'environnement automoteur dur. L'haut-parleur utilise des matériels avancés et les techniques de construction pour maintenir l'exécution optimale pendant des années pour venir.

CÂBLAGE

Nous conseillons d'utiliser du fil de calibre 16 (ou supérieur). Les coaxiaux KS ont une valeur nominale de 4 ohms et fonctionnent avec n'importe quelle source ou n'importe quel amplificateur conçu pour une charge de 4 ohms. **S'assurer que la source ou l'amplificateur est prévu pour un fonctionnement à 4 ohms.**

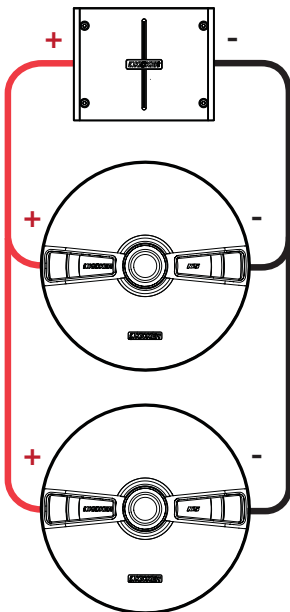


amplificateur / source

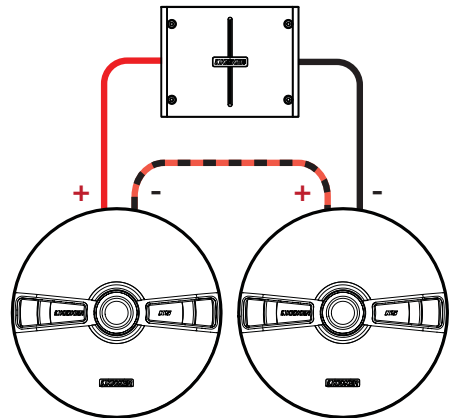


Connectez le câblage aux bornes.

Deux haut-parleurs à une chaîne seule
Total Impédance: 8 ohms



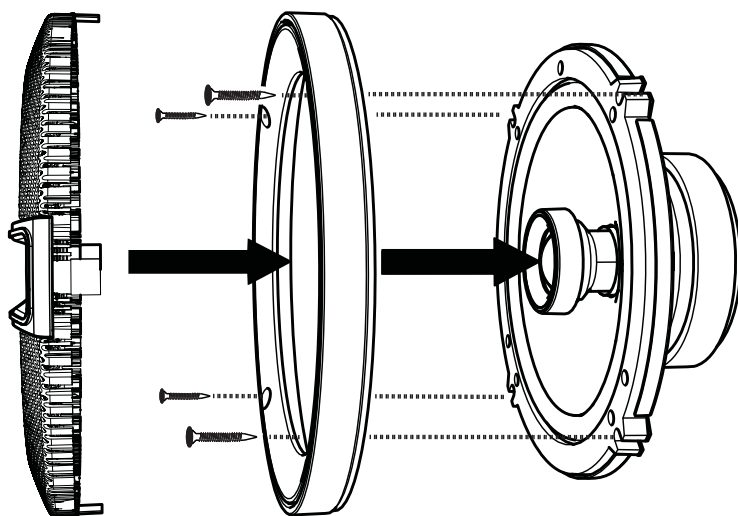
Deux haut-parleurs à une parallèle seule
Total Impédance: 2 ohms



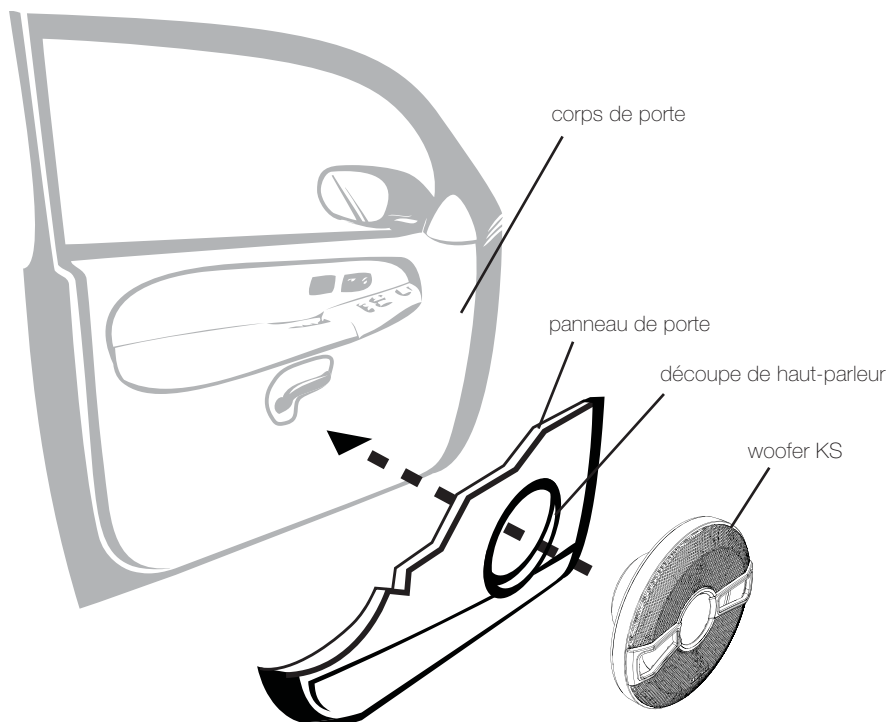
PERFORMANCES

Modele:	KSC350	KSC40	KSC460	KSC4100	KSC50	KSC650	KSC670	KSC680	KSC690	KSC6930
Conception du haut-parleur	2 voies	2 voies	2 voies	2 voies	2 voies	2 voies	2 voies	2 voies	2 voies	3 voies
Grave [po ; mm]	3-1/2, 89	4, 100	4x6, 100x160	4x10, 100x250	5-1/4, 130	6-1/2, 160	6-3/4, 165	6x8, 160x200	6x9, 160x230	6x9, 160x230
Médium [po ; mm]	-	-	-	-	-	-	-	-	-	1, 25
Aigu [po ; mm]	1/2, 13	1/2, 13	1/2, 13	1/2, 13	3/4, 20	3/4, 20	3/4, 20	3/4, 20	1, 25	3/4, 20
Impédance nominale [Ω]	4	4	4	4	4	4	4	4	4	4
Puissance maximale [W]	100	150	150	150	200	200	200	150	300	300
Puissance continue [watts RMS]	50	75	75	75	100	100	100	75	150	150
Sensibilité [1 W, 1 m]	88	88	88	88	90	90	90	90	92	92
Réponse en fréquence [Hz]	80-20k	60-20k	50-20k	45-20k	45-21k	43-21k	40-21k	45-21k	30-21k	30-21k
Diamètre du trou de montage [po ; mm]	3-1/16, 78	3-11/16, 94	4x5-5/16, 101x151	3-7/8x3-3/8, 99x238	4-1/2, 115	4-13/16, 123	5-9/16, 141	5x7-3/16, 127x182	5-11/16x8-7/16, 144x215	5-11/16x8-7/16, 144x215
Profondeur du montage supérieur [po ; mm]	1-5/8, 42	1-13/16, 46	1-11/16, 44	2-3/8, 61	1-3/4, 45	1-13/16, 46	1-13/16, 46	2-1/4, 58	3-3/16, 81	3-1/8, 80
Profondeur du montage inférieur [po ; mm]	1-7/8, 49	2-1/16, 51	2, 51	2-13/16, 71	2, 52	2-3/16, 54	2, 50	2-5/8, 67	3-11/16, 93	3-5/8, 92
Protubérance du haut-parleur des aigus [po ; mm]	3/16, 4	0	1/16, 2	0	1/4, 6	5/16, 8	3/8, 10	1/16, 2	0	0
Grilles	Non	Oui	Non	Non	Oui	Oui	Oui	Non	Oui	Oui
Matériau armé du haut-parleur des aigus	Néodyme	Néodyme	Néodyme	Néodyme	Néodyme	Néodyme	Néodyme	Néodyme	Néodyme	Néodyme
Matériau du dôme du haut-parleur des aigus	Sole	Sole	Sole	Sole	Sole	Sole	Sole	Sole	Sole	Sole
Forme du haut-parleur des aigus	Dôme équilibré	Dôme équilibré	Dôme équilibré	Dôme équilibré	Dôme	Dôme	Dôme	Dôme	Dôme	Dôme
Matériau du cône du haut-parleur des graves	Polypropylène	Polypropylène	Polypropylène	Polypropylène	Polypropylène	Polypropylène	Polypropylène	Polypropylène	Polypropylène	Polypropylène
Matériau de l'enceinte du haut-parleur des graves	Caoutchouc	Caoutchouc	Caoutchouc	Caoutchouc	Caoutchouc	Caoutchouc	Caoutchouc	Caoutchouc	Caoutchouc	Caoutchouc

MONTAGE



Fixez le haut-parleur à l'endroit désiré.



Astuce de pro : Vous êtes un KICKER Amplificateur, un caisson d'extrêmes graves, et quelques câbles loin d'un grand système de stéréo ! Les amplificateurs le font facile à améliorer le basse balancer-solide avec votre radio existante.

INTERNATIONAL WARRANTY

Contact your International KICKER dealer or distributor concerning specific procedures for your country's warranty policies.

WARNING: KICKER products are capable of producing sound levels that can permanently damage your hearing! Turning up a system to a level that has audible distortion is more damaging to your ears than listening to an undistorted system at the same volume level. The threshold of pain is always an indicator that the sound level is too loud and may permanently damage your hearing. Please use common sense when controlling volume.

Our goods come with guarantees that cannot be excluded under the **Australian Consumer Law**. You are entitled to a replacement or refund for a major failure and for compensation for any other reasonably foreseeable loss or damage. You are also entitled to have the goods repaired or replaced if the goods fail to be of acceptable quality and the failure does not amount to a major failure.

GARANTÍA INTERNACIONAL **Versión Española**

Comuníquese con su concesionario o distribuidor Kicker internacional para obtener información sobre procedimientos específicos relacionados con las normas de garantía de su país.

ADVERTENCIA: Los excitadores Kicker son capaces de producir niveles de sonido que pueden dañar permanentemente el oído. Subir el volumen del sistema hasta un nivel que produzca distorsión es más dañino para el oído que escuchar un sistema sin distorsión al mismo volumen. El dolor es siempre una indicación de que el sonido es muy fuerte y que puede dañar permanentemente el oído. Sea precavido cuando controle el volumen.

La frase "combustible para vivir la vida Livin' Loud™ a todo volumen" se refiere al entusiasmo por la vida que la marca Kicker de estéreos de automóvil representa y a la recomendación a nuestros clientes de que vivan lo mejor posible ("a todo volumen") en todo sentido. La línea de altavoces y amplificadores Kicker es la mejor del mercado de audio de automóviles y por lo tanto representa el "combustible" para vivir a todo volumen en el área de "estéreos de automóvil" de la vida de nuestros clientes. Recomendamos a todos nuestros clientes que obedezcan todas las reglas y reglamentos locales sobre ruido en cuanto a los niveles legales y apropiados de audición fuera del vehículo.

INTERNATIONALE GARANTIE **Deutsche Version**

Nehmen Sie mit Ihren internationalen Kicker-Fachhändler oder Vertrieb Kontakt auf, um Details über die Garantieleistungen in Ihrem Land zu erfahren.

WARNUNG: KICKER-Treiber können einen Schallpegel erzeugen, der zu permanenten Gehörschäden führen kann! Wenn Sie ein System auf einen Pegel stellen, der hörbare Verzerrungen erzeugt, schadet das Ihren Ohren mehr, als ein nicht verzerrtes System auf dem gleichen Lautstärkepegel. Die Schmerzschwelle ist immer eine Anzeige dafür, dass der Schallpegel zu laut ist und zu permanenten Gehörschäden führen kann. Seien Sie bei der Lautstärkeeinstellung bitte vernünftig!

Der Slogan "Treibstoff für Livin' Loud" bezieht sich auf die mit den Kicker-Autostereosystemen assoziierte Lebensfreude und die Tatsache, dass wir unsere Kunden ermutigen, in allen Aspekten ihres Lebens nach dem Besten ("Livin' Loud") zu streben. Die Lautsprecher und Verstärker von Kicker sind auf dem Markt für Auto-SoundSysteme führend und stellen somit den "Treibstoff" für das Autostereoeerlebnis unserer Kunden dar. Wir empfehlen allen unseren Kunden, sich bezüglich der zugelassenen und passenden Lautstärkepegel außerhalb des Autos an die örtlichen Lärmvorschriften zu halten.

GARANTIE INTERNATIONALE **Version Française**

Pour connaître les procédures propres à la politique de garantie de votre pays, contactez votre revendeur ou distributeur International Kicker.

AVERTISSEMENT: Les haut-parleurs Kicker ont la capacité de produire des niveaux sonores pouvant endommager l'ouïe de façon irréversible ! L'augmentation du volume d'un système jusqu'à un niveau présentant une distorsion audible endommage davantage l'ouïe que l'écoute d'un système sans distorsion au même volume. Le seuil de la douleur est toujours le signe que le niveau sonore est trop élevé et risque d'endommager l'ouïe de façon irréversible. Réglez le volume en faisant preuve de bon sens !

L'expression " carburant pour vivre plein pot " fait référence au dynamisme de la marque Kicker d'équipements audio pour véhicules et a pour but d'encourager nos clients à faire le maximum (" vivre plein pot ") dans tous les aspects de leur vie. Les haut-parleurs et amplificateurs Kicker sont les meilleurs dans le domaine des équipements audio et représentent donc pour nos client le " carburant pour vivre plein pot " dans l'aspect " installation audio de véhicule " de leur vie. Nous encourageons tous nos clients à respecter toutes les lois et réglementations locales relatives aux niveaux sonores acceptables à l'extérieur des véhicules.



©2016 Stillwater Designs