

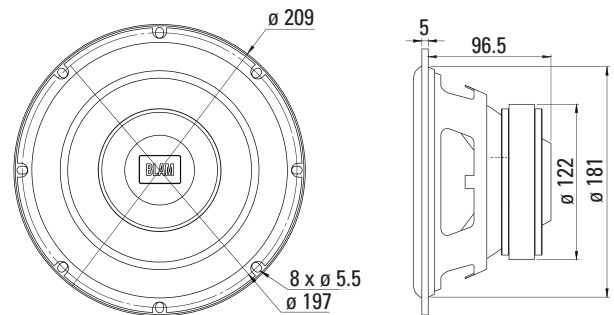
## R8 EL

### Subwoofer

**2 ohm 210 mm (8 ") subwoofer  
for compact enclosure  
Power Max 300W**

- 210 mm (8 ") subwoofer for compact enclosure
- Maximum power: 300 W / Nominal Power 150 W
- Frequency response: 45 Hz - 500 Hz
- Efficiency 92.5 dB
- Impedance 2 Ohms

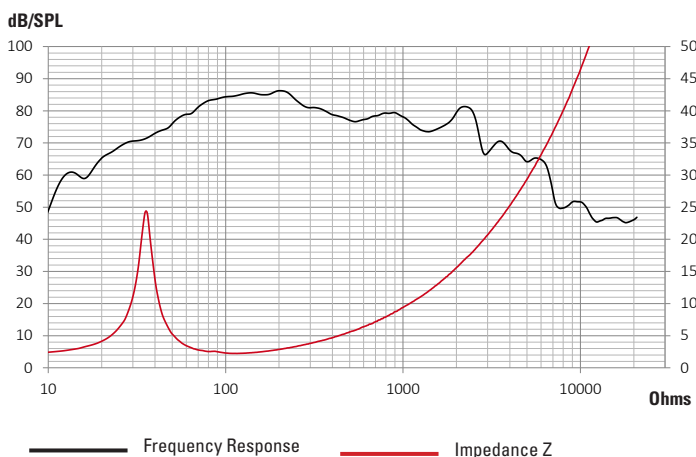
Steel basket with machined gasket - Rigid treated pulp cone - Butyl rubber surround - Long life "conex" spider - 40 mm voice coil, on fiber glass former - 120 mm x 20 mm motor assembly - Machined extended T yoke - Optimized for use in a 10 to 13 liter bass reflex enclosure - Grille included



#### TECHNICAL SPECIFICATIONS

Component	Subwoofer	
Max power	300 W	
Nominal power	150 W	
Impedance	2 Ω	
Freq. Response	45-500 Hz	
Sensitivity	92,5 dB/SPL	
Magnet	Ferrite	
Magnet size Ø x h	120 x 20 mm	4,724 "x 0,787"
Total driver displacement	0,5 l	0,018 cf
Weight of one component	2,3 kg	5,071 lb
Voice coil Ø	38 mm	1,496"
Voice coil height	22 mm	0,866 "
Cone	Rigid treated paper	

#### FREQUENCY RESPONSE / IMPEDANCE



#### THIELE-SMALL PARAMETERS

effective Ø (d)	165 mm
Sd	213,82 cm <sup>2</sup>
Xmax	8 mm
Re	2 Ω
Fs	35,58 Hz
Le	487,73 µH @ 1 kHz
Le	955,48 µH @10 kHz
Vas	20,82 L
Mms	61,72 g
Cms	0,000324 m/N
BL	7,36 Tm
Qts	0,47
Qes	0,51
Qms	5,74
Spl	91 dB

#### RECOMMENDED ENCLOSURES

Internal volume Vb	Internal ø port	Length port	Fb	F-3dB	Boost
10	7 cm	46 cm	47 Hz	46 Hz	4,0 dB at 73 Hz
15	7 cm	35 cm	44 Hz	39 Hz	3,5 dB at 61 Hz
25	7 cm	30 cm	40 Hz	35 Hz	3,0 dB at 53 Hz