

KEY FEATURES

- Designed to be used with 1" compression drivers.
- Coverage angles of 60° in the horizontal plane and 40° in the vertical plane.
- Precise directivity control in the pass band.
- Square and compact design, providing versatile mounting options.
- Cast aluminium construction.

GENERAL DESCRIPTION

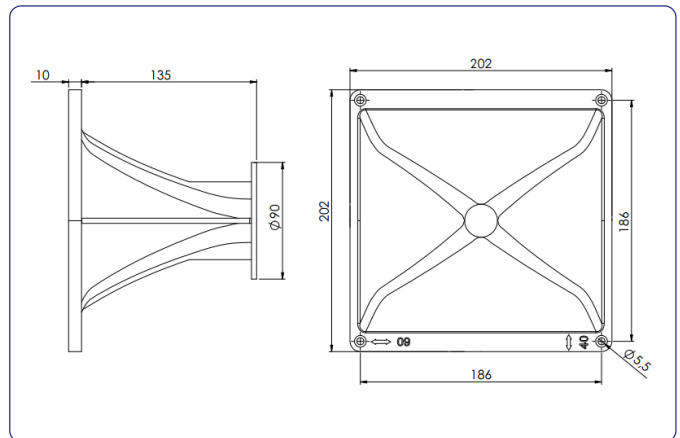
This horn has been designed to work specifically with 1" compression drivers, providing uniform on and off-axis response.

The constant directivity characteristics of this model ensure the ability to cover 60° width horizontally and 40° width vertically, at virtually any frequency within its operational range.

To ensure freedom of resonance, this horn is constructed of cast aluminium, with flat frof finish to facilitate flush mounting. Its square shape allows to easily rotate the horn without any need for modification in the cabinet.



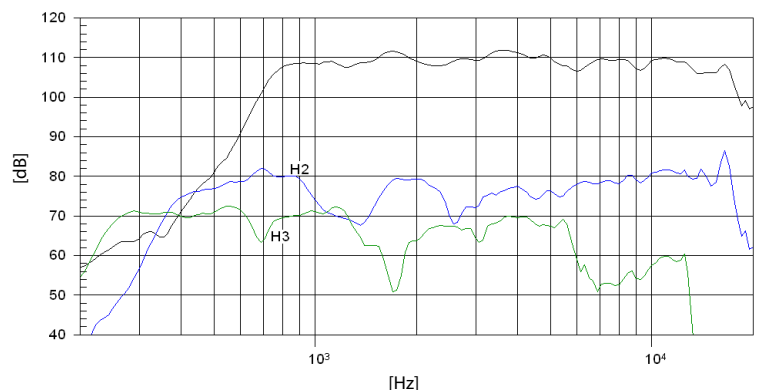
DIMENSION DRAWINGS



TECHNICAL SPECIFICATIONS

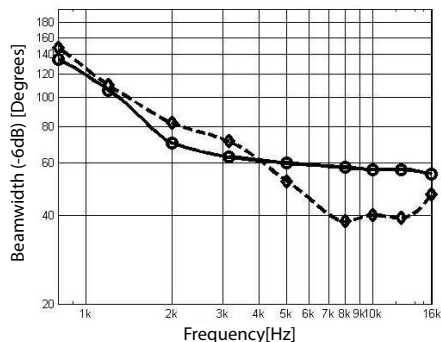
Throat diameter	25,4 mm	1in
Horizontal beamwidth	60° (+10°, -5°)	
	(-6dB, 2 - 16 kHz)	
Vertical beamwidth	40° (+31°, -2°)	
	(-6 dB, 3 - 16 kHz)	
Directivity factor (Q)	14,1 (average 0,8 - 16 kHz)	
Directivity factor (DI)	11 dB (+2 dB, -6,4 dB)	
Cut-off frequency	1200 Hz	
Dimensiones (W x H x D)	202 x 202 x 145 mm	
	7,95 x 7,95 x 5,71 in	
Cut-out dimensions (W x H)	177 x 177 mm	
	6,97 x 6,97 in	
Net weight	1 kg	2,2 lb
Shipping weight	1,3 kg	2,87 lb
Material	Cast aluminium	

FREQUENCY RESPONSE

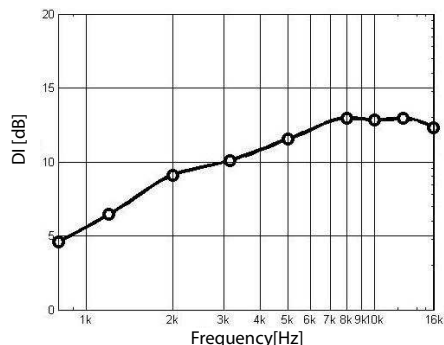


Note: On axis frequency response measured with CP-385/Nd standing on infinite baffle in anechoic chamber, 1W @ 1m

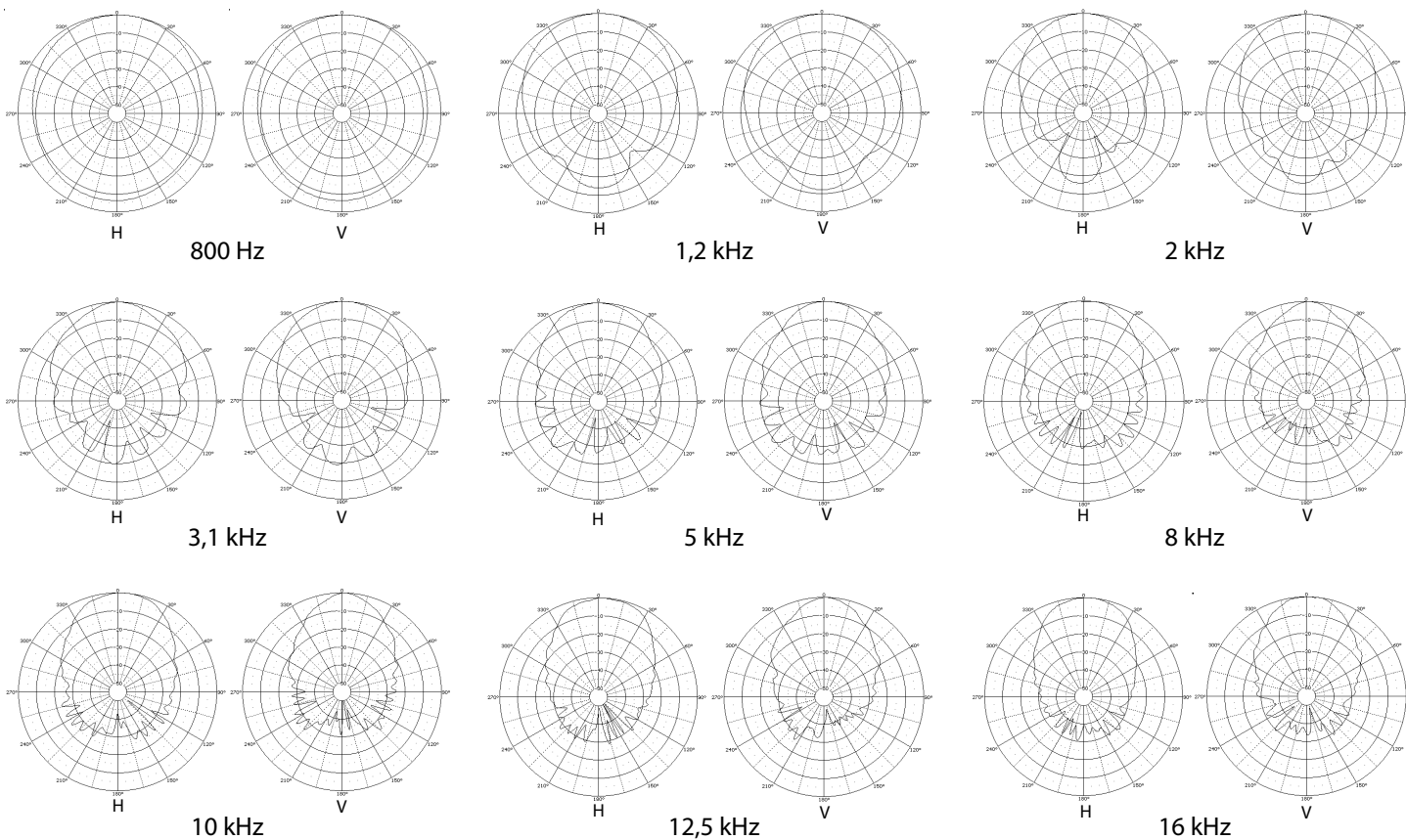
-6 dB BEAMWIDTH *



DIRECTIVITY



POLAR RESPONSE **



Notes:

* Horizontal beamwidth is represented by the heavy line. Vertical beamwidth is represented by the discontinuous line.

** The polar plots are reproduction of measurements done with single sinusoidal signal tones, at the indicated frequencies. The microphone was placed 2m from the horn and rotation was around the centre of the emitter source.