

KEY FEATURES

- 2" exit (50 mm) high frequency compression driver
- 3" (72,4 mm) voice coil diameter
- 160 W program power above 0,8 kHz
- Sensitivity: 112 dB, 1W / 1m
- Titanium dome with polyester surround
- Lightweight aluminium voice coil
- Aluminium cover
- Neodymium magnet

TECHNICAL SPECIFICATIONS

Throat diameter	50,8 mm.	2 in.
Rated impedance		8 Ω
Minimum impedance	7,1 Ω @ 5 kHz	
D.C. resistance		5,5 Ω
Power capacity*	60 W _{AES} above 0,8 kHz	
	80 W _{AES} above 1,5 kHz	
Program power	120 W above 0,8 kHz	
	160 W above 1,5 kHz	
Sensitivity**	112 dB 1W @ 1m	
	coupled to TD-460/N	
Frequency range	0,6 - 20 kHz	
Recommended crossover	0,8 kHz or higher	(12 dB/oct min.)
Voice coil diameter	72,4 mm	2,85 in
Magnetic assembly weight	3,1 kg	6,8 lb
Flux density		2,2 T
BL factor		11,5 N/A

MOUNTING INFORMATION

Overall diameter	145 mm	5,7 in
Depth	89 mm	3,5 in
Mounting	Four M6 threaded holes, 90° apart on 101,6 mm (4") diameter circle	
Net weight	3,5 kg	7,7 lb
Shipping weight	3,75 kg	8,25 lb

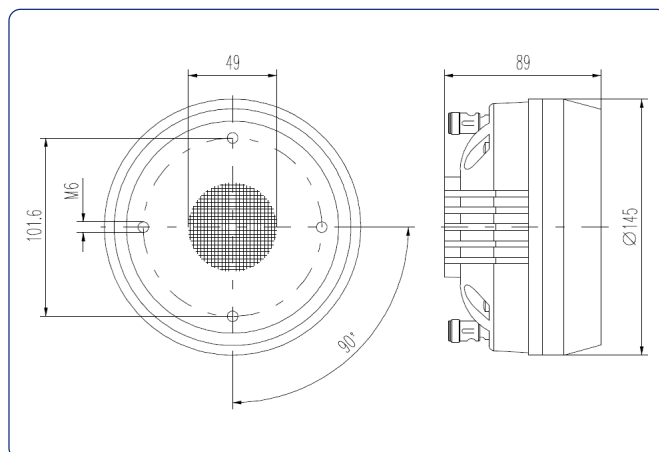
Notes:

* The power capacity is determined according to AES2-1984 (r2003) standard. Program power is defined as the transducer's ability to handle normal music program material.

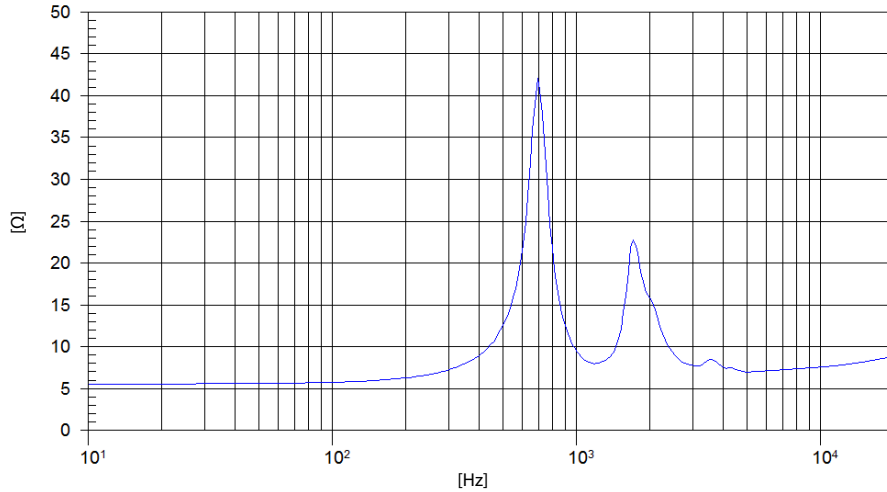
** Sensitivity was measured at 1m distance, on axis, with 1 W input, averaged in the range 1 - 7 kHz.



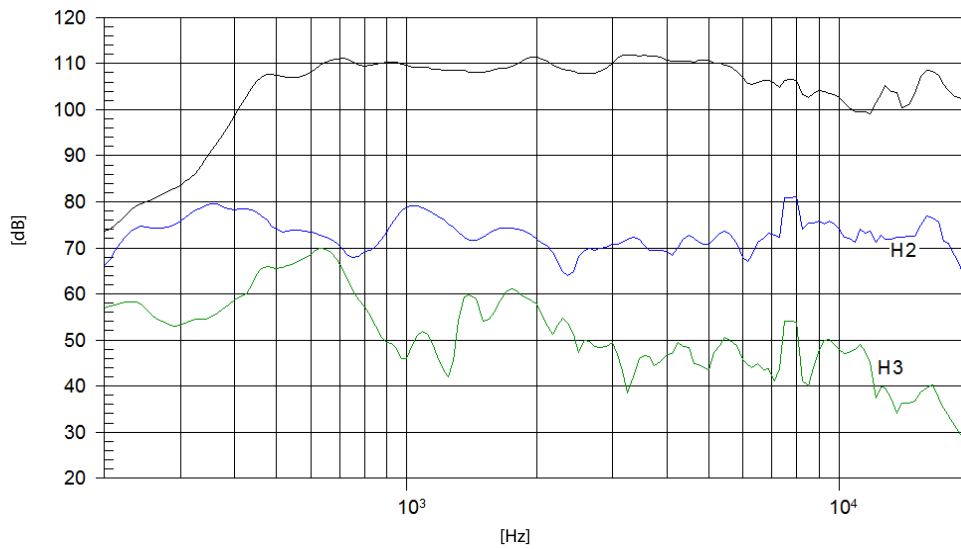
DIMENSION DRAWINGS



FREE AIR IMPEDANCE CURVE



FREQUENCY RESPONSE AND DISTORTION



Note: On axis frequency response measured coupled to TD-460/N horn in anechoic chamber, 1W @ 1m