

KEY FEATURES

- 200 W_{AES} power handling capacity for LF unit
- 40 W_{AES} power handling capacity for HF unit
- High sensitivity: 92 dB (LF) and 103 dB (HF)
- Low resonant frequency: 65 Hz
- Extended controlled displacement: $X_{MAX} \pm 5,5$ mm
- Extended mechanical displacement capability:
 $X_{damage} \pm 26$ mm
- CONEX spider
- Designed with *MMSS technology*
- Common neodymium magnet system for both units
- Low weight and mounting depth
- Excellent off-axis response
- 70° conical dispersion

TECHNICAL SPECIFICATIONS

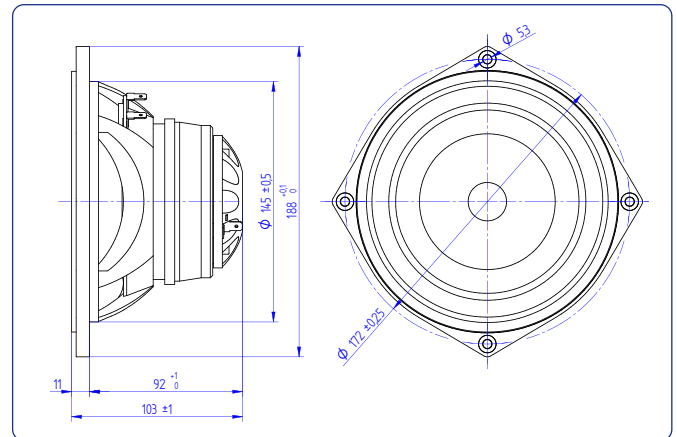
Nominal diameter	165 mm	6,5 in
Rated impedance (LF/HF)	8 / 8 Ω	
Minimum impedance (LF/HF)	5,4 / 5,0 Ω	
Power capacity* (LF/HF)	200 / 40 W _{AES}	
Program power (LF/HF)	400 / 80 W	
Sensitivity (LF/HF**)	92 dB	1W @ Z _N
	103 dB	1W @ Z _N
Frequency range	65 - 20.000 Hz	
Recom. HF crossover	2,5 kHz or higher (12 dB/oct min slope)	
Voice coil diameter (LF/HF)	50,8 mm	2 in
	44,45 mm	1,75 in
BL factor	10,52 N/A	
Moving mass	0,016 kg	
Voice coil length	14 mm	
Air gap height	7 mm	
X_{damage} (peak to peak)	26 mm	

THIELE-SMALL PARAMETERS***

Resonant frequency, f_s	65 Hz
D.C. Voice coil resistance, R_e	5,0 Ω
Mechanical Quality Factor, Q_{ms}	3,95
Electrical Quality Factor, Q_{es}	0,29
Total Quality Factor, Q_{ts}	0,27
Equivalent Air Volume to C_{ms}, V_{as}	9,4 l
Mechanical Compliance, C_{ms}	366 μ m / N
Mechanical Resistance, R_{ms}	1,67 kg / s
Efficiency, η_0	0,86 %
Effective Surface Area, S_d	0,0135 m ²
Maximum Displacement, X_{max}****	5,5 mm
Displacement Volume, V_d	68,85 cm ³
Voice Coil Inductance, L_e	0,24 mH



DIMENSION DRAWINGS



MOUNTING INFORMATION

Overall diameter	188 mm	7,4 in
Bolt circle diameter	172 mm	6,77 in
Baffle cutout diameter:		
- Front mount	145 mm	5,72 in
Depth	103 mm	4,06 in
Volume displaced by driver	0,55 l	0,02 ft ³
Net weight	1,98 kg	4,38 lb
Shipping weight	2,21 kg	4,89 lb

Notes:

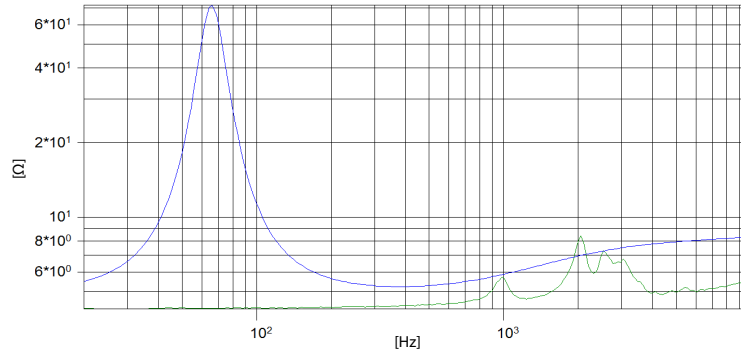
* The power capacity is determined according to AES2-1984 (r2003) standard. Program power is defined as the transducer's ability to handle normal music program material.

** Sensitivity was measured at 1m distance, on axis, with 1W input, averaged in the range 1 - 7 kHz.

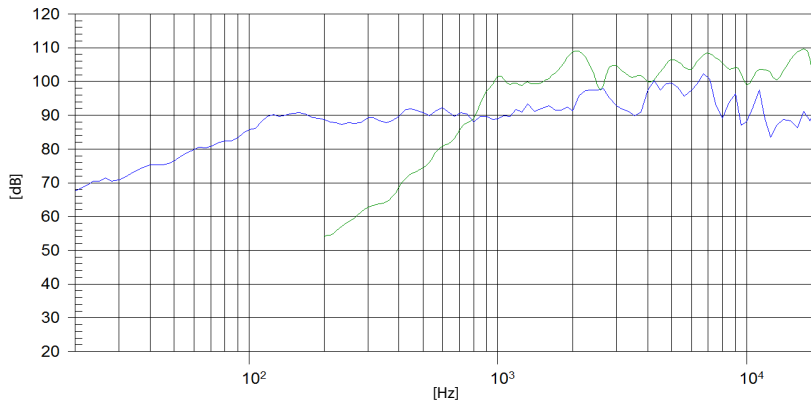
*** T-S parameters are measured after an exercise period using a preconditioning power test. The measurements are carried out with a velocity-current laser transducer and will reflect the long term parameters (once the loudspeaker has been working for a short period of time).

**** The X_{max} is calculated as (L_{vc} - H_{ag})/2 + (H_{ag}/3,5), where L_{vc} is the voice coil length and H_{ag} is the air gap height.

FREE AIR IMPEDANCE CURVE

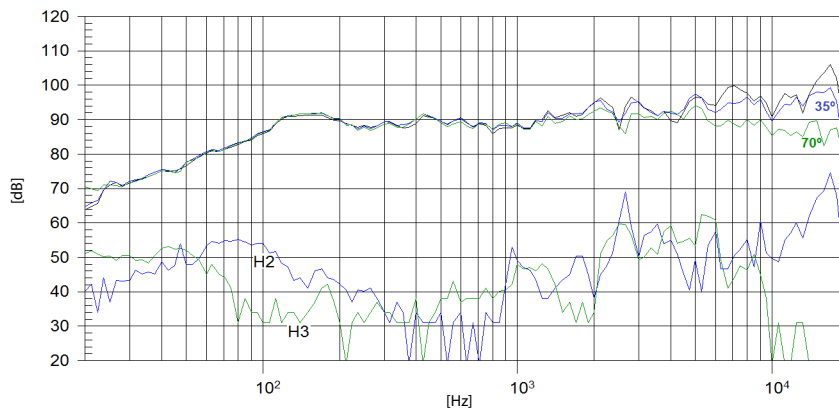


FREQUENCY RESPONSE



Note: On axis frequency response measured with loudspeaker standing on infinite baffle in anechoic chamber, 1W @ 1m

FILTERED AND OFF-AXIS FREQUENCY RESPONSE



Note: Filtered frequency response measured with loudspeaker standing on infinite baffle in anechoic chamber, 1W @ 1m with FD-2CX