

Signature Series Speakers Installation Instructions	2
Instructions d'installation des haut-parleurs Signature Series	5
Altoparlanti Signature Series Istruzioni di installazione	8
Lautsprecher der Signature Series – Installationsanweisungen	12
Instrucciones de instalación de los altavoces de la Signature Series	16
Instruções de instalação dos alto-falantes da Signature Series	19
Signature Series luidsprekers - installatie-instructies	23

Garmin®, the Garmin logo, FUSION®, the Fusion logo, and True-Marine™ are trademarks of Garmin Ltd. or its subsidiaries, registered in the USA and other countries. These trademarks may not be used without the express permission of Garmin.



Printed in China
November 2017
I90-01845-90_OC



Signature Series Speakers Installation Instructions

Important Safety Information

⚠ WARNING

Failure to follow these warnings and cautions could result in personal injury, damage to the vessel, or poor product performance.

See the *Important Safety and Product Information* guide in the product box for product warnings and other important information.

This device must be installed according to these instructions.

Disconnect the vessel's power supply before beginning to install this product.

⚠ CAUTION

Audio systems can produce sound pressure levels exceeding 135 dB. Continuous exposure to sound pressure levels over 100 dB may cause permanent hearing loss. The volume is typically too loud if you cannot hear people speaking around you. Limit the amount of time you listen at high volume. If you experience ringing in your ears or muffled speech, stop listening and have your hearing checked.

Always wear safety goggles, ear protection, and a dust mask when drilling, cutting, or sanding.

NOTICE

When drilling or cutting, always check what is on the opposite side of the surface.

It is strongly recommended that you have your audio system installed by a professional installer to ensure optimum performance.

You must read all installation instructions before beginning the installation. If you experience difficulty during the installation, go to www.fusionentertainment.com for product support.

What's In the Box

- 2 speakers
- 2 tinned, pre-terminated speaker wires (6 m)
- 12 Phillips stainless steel, 4.2 mm x 38 mm (8 gauge x 1.5 in.) mounting screws
- Mounting templates
- 2 foam mounting gaskets
- 2 grilles (Classic models only)
- 2 tinned LED connection cables (6 m) (Sports models only)
- Hex key (Sports models only)

Tools Needed

- Electric drill
- Drill bit (size varies based on surface material)
- Phillips screwdriver
- Wire strippers
- Crimping tool
- Electrical tape
- Appropriate saw or utility knife to cut surface material
- Marine sealant (optional)

NOTE: For customized installations, additional tools and materials may be needed.

Mounting Considerations

Selecting the correct mounting location is critical to optimize the performance of each speaker. FUSION® speakers are designed to perform in the widest possible range of mounting locations, but the more you plan the installation, the better the speakers' sound will be.

- For the best performance, the speakers should not be mounted low in the boat. Sound travels in the direction in which the speakers are facing. When the speakers are mounted low, the sound quality and volume are not ideal.

- If you intend to mount the speakers outside the boat, they must be mounted in a location well above the waterline, where they are not submerged. The speakers must be mounted in a location where they will not be damaged by docks, pilings, or other pieces of equipment. When mounted correctly, these speakers are rated IP65 for protection in the harsh marine environment from the front of the speaker. Water exposure and damage to the rear of the speaker will void the warranty. This includes when mounted in a sealed enclosure, especially if they are exposed to wash down. A port or vent may allow water to collect in the enclosure and damage the speaker.
- The speaker mounting locations should enable you to hear sound from both speakers, and from different directions, at the same time to achieve a sound stage effect. To achieve this effect, the speakers usually should not be mounted side-by-side.
- For better bass performance, each speaker should be mounted in an area that provides just enough room behind the speaker. Too small an area restricts bass, and too large an area compromises bass performance. Placing a speaker close to an open area (where sound from the back of the speaker has a very short path to compete with sound from the front of the speaker) produces the least bass.
- When possible, the area behind each speaker should be enclosed.
- The speaker mounting locations must provide sufficient clearance for the mounting depth of the speakers as specified in the product specifications.
- When a speaker is not exposed to the outside environment, a better bass performance can be achieved using an enclosure that has a ported design. See the optimum enclosure design recommendations. Those recommendations specify volume only, and for the ported option, an optimum port size and length are also provided.
- You should select a flat mounting surface for the best seal.
- You should protect the speaker wires from sharp objects and always use rubber grommets when wiring through panels.
- The mounting location must avoid potential obstacles, such as fuel and hydraulic lines and wiring.
- You should protect all terminals and connections from grounding and from each other. Failure to do so could result in permanent damage to the audio system and void the product warranty.
- To avoid interference with a magnetic compass, the speakers should not be installed closer to a compass than the compass-safe distance value listed in the product specifications.
- The audio system must be turned off before making any connections to the source unit, amplifier, or speakers. Failure to do so could result in permanent damage to the audio system.

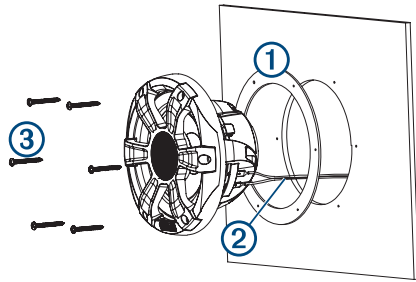
Mounting the Speakers

Before mounting the speakers, you must choose a location where there is enough clearance behind the mounting surface. Refer to the specifications for clearance information.

Before mounting the speakers, you must choose a location following the guidelines above.

- 1 Route the wires from the source to the speaker location, away from sources of electrical interference.
- 2 Trim the template and make sure it fits in the selected location.
- 3 Orient the template with the FUSION logo at the bottom of the template.
- 4 Secure the template to the selected location.
- 5 Using a drill bit appropriate for the mounting surface, drill a hole inside the dashed line on the template to prepare the mounting surface for cutting.
- 6 Using a rotary tool or jigsaw, cut the mounting surface along the inside of the line on the template.
- 7 Place the speaker in the cutout to test the fit.
- 8 If necessary, use a file and sandpaper to refine the size of the cutout.
- 9 After the speaker fits correctly in the cutout, ensure the mounting holes on the speaker line up with the pilot holes on the template.
- 10 If the mounting holes on the speaker do not line up, mark the new hole locations.

- 11 Using an appropriately sized drill bit for the mounting surface and screw type, drill the holes.
- 12 Remove the template from the mounting surface.
- 13 Place the included gasket ① on the back of the speaker, aligning the holes on the gasket with the holes on the speaker.



- 14 Connect the speaker wires ② while observing polarity.
- 15 Push the wire into a retaining clip to relieve the tension on the wire.
- 16 If necessary, connect the LED wires (see the following section).
- 17 Place the speaker in the cutout.
- 18 Secure the speaker to the mounting surface using the included screws ③.

NOTE: Do not over tighten the screws, especially if the mounting surface is not flat.
- 19 If necessary, attach the grille to the speaker front.

Sports Model LED Wiring

Connecting the LED Wires to the Sports Model Speakers

NOTE: This feature is available only on the Sports model speakers. You can control the color of the LEDs by the polarity of the LED wires.

- 1 Using the hex key, loosen the screws on the wiring terminals on the back of the speaker.
- 2 Connect the black and red wires to the terminal according to the preferred LED color.

Blue LED	Black to negative (-) Red to positive (+)
White LED	Black to positive (+) Red to negative (-)

- 3 Using the hex key, tighten the screws on the wiring terminals.
- 4 Push the wire into a retaining clip to relieve the tension on the wire.

Connecting the Sports Model Speakers LED Wires to Power

NOTE: This feature is available only on the Sports model speakers.

All 12 Vdc wiring to the LEDs must be fused at the power-source end of your cable using a 3 A fuse. The red power (+) wire should be connected to a 12 Vdc source through an isolator switch or circuit breaker to turn the speaker LEDs on and off. You can use the same isolator or circuit breaker controlling the supply to your stereo, which allows you to turn the LEDs and the stereo on and off at the same time.

If it is necessary to extend the red and black wires included with the speakers, you should use 20 AWG (0.5 mm²) or thicker wire.

- 1 Route the red power (+) and black ground (-) wires to the battery and speaker.
- 2 Connect the black wire to the negative (-) battery terminal.
- 3 Connect the red wire to the positive (+) terminal through a 3 A fuse and isolator switch or circuit breaker.

Attaching the Grille to the Classic Model Speakers

NOTE: This feature is available only on the Classic model speakers.

- 1 With the speakers mounted, hold the grille with the FUSION logo at the bottom, or at the 6 o'clock position.
- 2 Turn the grille counter-clockwise about 10°, so the FUSION logo is at the 5 o'clock position.
- 3 Place the grille on the rim of the speaker.

- 4 Twist the grille clockwise to secure it.

Speaker Information

True-Marine™ Products

True-Marine products are subjected to rigorous environmental testing under harsh marine conditions to surpass industry guidelines for marine products.

Any product that bears the True-Marine stamp of assurance has been designed for simplicity of use and combines advanced marine technologies to deliver an industry leading entertainment experience. All True-Marine products are supported by the FUSION 3-year worldwide limited consumer warranty.

Optional LED Voltage Regulator

You can use an LED voltage regulator (optional accessory SG-VREGLED) to regulate the battery voltage supply to the LED lights. You can use the voltage regulator if you notice the levels of brightness changing when you are running your engine, charging, or using battery power only. The voltage regulator can power the LEDs on up to ten Signature Series speakers or subwoofers; for example four pairs of speakers and two subwoofers.

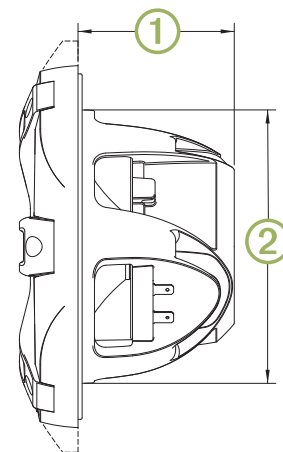
Registering Your Signature Series

Help us better support you by completing our online registration today.

- Go to www.fusionentertainment.com.
- Keep the original sales receipt, or a photocopy, in a safe place.

Dimension Drawings

Signature Series Side View

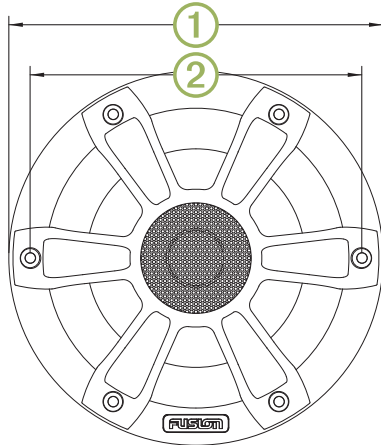


Dimension	6.5" Speakers	7.7" Speakers	8.8" Speakers
①	76 mm (3.0 in.)	82.5 mm (3.25 in.)	102.5 mm (4.05 in.)
②	133 mm (5.25 in.)	153 mm (6.0 in.)	184.9 mm (7.28 in.)

A Sports model speaker is shown, but the dimensions are the same for the Classic model speaker.

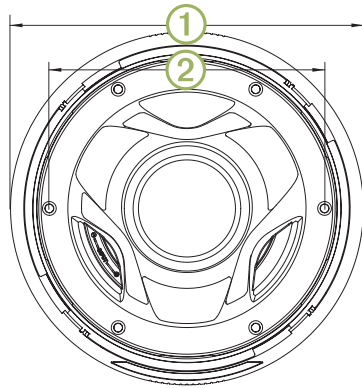
NOTE: You must allow at least 3 mm (0.15 in.) of clearance beyond the depth of the speaker.

Sports Model Front View



Dimension	6.5" Speakers	7.7" Speakers	8.8" Speakers
①	176 mm (6.93 in.)	196 mm (7.69 in.)	224 mm (8.8 in.)
②	156 mm (6.13 in.)	176 mm (6.94 in.)	202 mm (7.95 in.)

Classic Model Back View



Dimension	6.5" Speakers	7.7" Speakers	8.8" Speakers
①	200 mm (7.88 in.)	220 mm (8.69 in.)	247 mm (9.72 in.)
②	156 mm (6.13 in.)	176 mm (6.94 in.)	202 mm (7.95 in.)

Cleaning the Speakers

NOTE: When mounted correctly, these speakers are rated IP65 for protection in the harsh marine environment from the front of the speaker. They are not designed to withstand high pressure water spray, which may occur when you wash down your vessel. Failure to carefully spray-clean the vessel may damage the product and void the warranty.

NOTICE

Do not use harsh or solvent-based cleaners on the speakers. Using such cleaners may damage the product and void the warranty.

- 1 Clean all salt water and salt residue from the speaker grille with a damp cloth soaked in fresh water.
- 2 Use a mild detergent to remove a heavy buildup of salt or stains.

Troubleshooting

Before you contact your FUSION dealer or service center, you should perform a few simple troubleshooting steps to help diagnose the problem.

If the FUSION speaker has been installed by a professional installation company, you should contact the company so the technicians can assess the problem and advise you about possible solutions.

There is no sound coming from the speakers

- Verify that all connections from the source device and/or the amplifier are connected correctly to the speaker terminals.

The system lacks bass or high frequencies

- Verify that the correct wire polarity is observed between the source and speakers.
The wires should be connected positive to positive and negative to negative.
- Verify that the speakers are attached firmly to the mounting surface.

The audio is distorted

- Verify that the source volume is not too loud for the speaker, and reduce the volume if necessary.
- Verify that the panels surrounding the speaker on the vessel are not rattling.
- Verify that the source device and/or the amplifier are connected to the speaker terminals correctly.
- If the speaker is connected to an amplifier, verify that the input level of the amplifier is matched to the output level of the stereo. For more information, see the manual for the amplifier.

The LED lights will not turn on

- Verify that all wiring connections are correct and tight.

The LEDs pulse with the bass notes of the music

- Install a FUSION LED voltage regulator (SG-VREGLED).

Specifications

Specification	6.5" Speakers	7.7" Speakers	8.8" Speakers
Max. power (Watts)	230 W	280 W	330 W
RMS power (Watts)	75 W	100 W	130 W
Efficiency (1 W/1 m)	90 dB	91 dB	91 dB
Frequency response (+ 3 dB)	70 Hz to 22 kHz	60 Hz to 22 kHz	50 Hz to 20 kHz
Min. mounting depth (clearance)	79 mm (3.11 in.)	86 mm (3.39 in.)	105.5 mm (4.15 in.)
Mounting diameter (clearance)	136 mm (5.35 in.)	156 mm (6.12 in.)	188 mm (7.4 in.)
Impedance	4 ohms		
LED Supply Voltage (Sports Model Speakers only)	From 10.8 to 16 Vdc		
LED Load Current at 14.4 Vdc (Sports Model Speakers only)	150 mA		
Operating temperature range	From 0 to 50°C (from 32 to 122°F)		
Storage temperature range	From -20 to 70°C (from -4 to 158°F)		
Tweeter type	Silk dome		

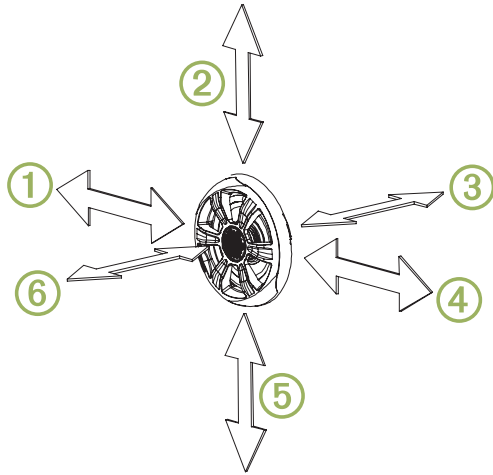
Compass-Safe Distances

All speakers contain magnets which may cause interference with instruments on your boat. The size of the magnet used in the speaker affects how much interference the speaker may cause.

Interference can cause deviations and variations in the readings of sensitive navigational equipment, such as magnetic compasses. These deviations can cause inaccuracies or offsets in the readings, but will not harm the equipment. To alleviate the deviations, adjust the compass for the deviation following the manufacturer's instructions or move the speaker away from the navigational equipment. After moving a source of interference, you may need to recalibrate the compass.

If you are navigating solely by a magnetic compass, use extreme caution to place the speaker far enough away from the compass to avoid causing deviations in the readings.

To avoid deviations to navigational equipment, position the speakers so they are separated from the navigational equipment by at least the distance listed in the table below.



Direction from Speaker	6.5" Speakers	7.7" Speakers	8.8" Speakers
①	181 cm (5.94 ft.)	193 cm (6.33 ft.)	171 cm (5.61 ft.)
②	198 cm (6.49 ft.)	224 cm (7.35 ft.)	171 cm (5.61 ft.)
③	310 cm (10.17 ft.)	358 cm (11.75 ft.)	412 cm (13.52 ft.)
④	153 cm (5.02 ft.)	175 cm (5.74 ft.)	173 cm (5.68 ft.)
⑤	160 cm (5.24 ft.)	198 cm (6.50 ft.)	178 cm (5.84 ft.)
⑥	310 cm (10.17 ft.)	333 cm (10.93 ft.)	318 cm (10.43 ft.)

Amplifier Power Rating Recommendations

6.5" Speakers	From 30 to 90 W RMS, playing music
7.7" Speakers	From 25 to 120 W RMS, playing music
8.8" Speakers	From 25 to 140 W RMS, playing music

Optimum Enclosure Recommendations

Specification	6.5" Speakers	7.7" Speakers	8.8" Speakers
Sealed enclosure volume*	18 L (0.64 ft. ³)	20 L (0.71 ft. ³)	22 L (0.78 ft. ³)
Ported (Vented) enclosure volume**	25 L (0.88 ft. ³)	30 L (1.06 ft. ³)	35 L (1.23 ft. ³)
Port diameter	76 mm (3 in.)	76 mm (3 in.)	76 mm (3 in.)
Port length	162 mm (6.4 in.)	160 mm (6.3 in.)	170 mm (6.7 in.)

* Fully filled with absorption material

** Lined with absorption material

Instructions d'installation des haut-parleurs Signature Series

Informations importantes relatives à la sécurité

⚠ AVERTISSEMENT

Le non-respect de ces avertissements et de ces mises en garde est susceptible de provoquer des blessures, d'endommager le bateau ou de dégrader les performances du produit.

Consultez le guide *Informations importantes sur le produit et la sécurité* inclus dans l'emballage du produit pour prendre connaissance des avertissements et autres informations importantes sur le produit.

Cet appareil doit être installé conformément à ces instructions.

Déconnectez l'alimentation du bateau avant de commencer à installer ce produit.

⚠ ATTENTION

Les systèmes audio peuvent produire des niveaux de pression acoustique de plus de 135 dB. L'exposition prolongée à des niveaux de pression acoustique supérieurs à 100 dB peut entraîner une perte d'audition irréversible. Le volume est généralement trop élevé si vous ne parvenez pas à entendre les personnes qui parlent autour de vous. Limitez le temps d'écoute durant lequel

le volume est élevé. Si vos oreilles sifflent ou si vous entendez des sons étouffés, arrêtez l'écoute et faites contrôler votre audition.

Portez toujours des lunettes de protection, un équipement antibruit et un masque anti-poussière lorsque vous percez, coupez ou poncez.

AVIS

Lorsque vous percez ou coupez, commencez toujours par vérifier la nature de la face opposée de l'élément.

Pour des performances optimales, il est vivement recommandé de confier l'installation du système audio à un professionnel.

Lisez toutes les instructions d'installation avant de commencer l'installation. Si vous rencontrez des difficultés durant l'installation, rendez-vous sur le site www.fusionentertainment.com pour obtenir de l'aide sur le produit.

Contenu de l'emballage

- 2 haut-parleurs
- 2 fils de haut-parleurs étamés et pré-terminés (6 m)
- 12 vis de montage cruciformes en acier inoxydable, 4,2 mm x 38 mm (jauge 8 x 1,5")
- Modèles de montage
- 2 joints de montage en mousse
- 2 grilles (modèles classiques uniquement)
- 2 câbles étamés de connexion pour voyants LED (6 m) (modèles sports uniquement)
- Clé Allen (modèles sports uniquement)

Outils requis

- Perceuse électrique
- Foret (la taille varie en fonction du matériel de la surface de montage)
- Tournevis cruciforme
- Dénude-fil
- Outil pour serrer
- Ruban isolant
- Scie appropriée ou couteau à lame rétractable pour découper le matériel de la surface de montage
- Mastic d'étanchéité (facultatif)

REMARQUE : pour des installations sur mesure, des outils et du matériel supplémentaires peuvent être nécessaires.

Considérations relatives au montage

Les performances de chaque haut-parleur reposent sur le choix d'un emplacement d'installation approprié. Si les haut-parleurs FUSION sont conçus pour fonctionner à peu près partout, la qualité de leur son dépend de la manière dont vous allez étudier leur installation.

- Pour des performances optimales, n'installez pas les haut-parleurs trop bas dans le bateau. Le son est transmis à l'horizontale à partir des haut-parleurs. Si les haut-parleurs sont trop bas, la qualité acoustique et le volume ne sont pas idéals.
- Si vous envisagez de monter les haut-parleurs à l'extérieur du bateau, ils doivent être installés à un emplacement situé bien au-dessus de la ligne de flottaison pour ne pas être immergés. Les haut-parleurs doivent être installés à un emplacement éloigné des quais et autres équipements. Quand ils sont installés correctement, ces haut-parleurs offrent en façade un indice de protection IP65 contre les aléas de l'environnement marin. Tout contact avec l'eau et tout endommagement à l'arrière du haut-parleur entraîne l'annulation de la garantie. Cela inclut les installations dans un caisson clos, surtout si ce dernier est exposé aux projections d'eau. De l'eau peut en effet passer dans le caisson et endommager le haut-parleur.
- Les emplacements de montage du haut-parleur doivent vous permettre d'entendre le son provenant des deux haut-parleurs, et à des directions différentes et au même moment pour que la configuration acoustique soit idéale. Pour y parvenir, évitez de monter les haut-parleurs côte à côte.
- Pour de meilleures basses, installez chaque haut-parleur dans une zone pourvue d'un espace suffisant à l'arrière. Si la zone est trop petite, les basses sont moins fortes. En revanche, la zone ne doit pas être trop

grande au risque de compromettre les performances des basses. Le fait de placer un haut-parleur à proximité d'une zone ouverte (quand le son provenant de l'arrière du haut-parleur traverse une très courte distance pour rejoindre le son sortant de la façade du haut-parleur) diminue les basses.

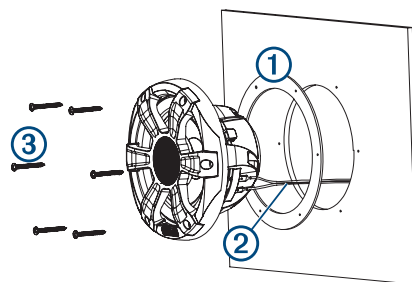
- Dans la mesure du possible, la zone à l'arrière de chaque haut-parleur doit être fermée.
- Les emplacements de montage des haut-parleurs doivent fournir suffisamment d'espace pour la profondeur de montage des haut-parleurs, conformément aux caractéristiques du produit.
- Lorsqu'un haut-parleur n'est pas au contact de l'environnement extérieur, les performances des basses peuvent être améliorées à l'aide d'une enceinte réflexe. Consultez les recommandations à suivre pour obtenir une configuration avec enceinte réflexe idéale. Ces recommandations indiquent le volume, et pour l'option avec enceinte réflexe, la taille et la longueur optimales de l'enceinte sont également précisées.
- Choisissez une surface de montage plate pour une meilleure étanchéité.
- Il est conseillé de protéger les fils du haut-parleur contre tout objet tranchant et de toujours utiliser des passe-câbles lorsque vous faites passer les fils dans des tableaux.
- L'emplacement de montage doit éviter tout obstacle potentiel, comme des flexibles hydrauliques ou des câbles.
- Protégez toutes les bornes et connexions contre les risques de court-circuit et isolez-les les unes des autres. Dans le cas contraire, le système audio pourrait être endommagé de manière irréversible et la garantie annulée.
- Pour éviter toute interférence avec un compas magnétique, les haut-parleurs doivent être installés à la distance de sécurité au compas indiquée dans les caractéristiques techniques du produit.
- Le système audio doit être éteint avant de procéder à tout branchement du côté de l'appareil source, de l'ampli ou des haut-parleurs. Dans le cas contraire, le système audio pourrait être endommagé de manière irréversible.

Installation des haut-parleurs

Avant d'installer les haut-parleurs, choisissez un emplacement avec suffisamment d'espace à l'arrière de la surface de montage. Consultez les informations sur l'espace à respecter.

Avant d'installer les haut-parleurs, vous devez choisir un emplacement adapté, en suivant les recommandations précédentes.

- 1 Acheminez les fils de la source vers l'emplacement du haut-parleur, en les éloignant des sources d'interférences électroniques.
- 2 Découpez le modèle et assurez-vous que le caisson de basse s'adapte à l'emplacement choisi.
- 3 Orientez le modèle de façon à ce que le logo FUSION soit dirigé vers le bas du modèle.
- 4 Fixez le modèle sur l'emplacement choisi.
- 5 A l'aide d'un foret adapté à la surface de montage, percez un trou à l'intérieur de la ligne pointillée dessinée sur le modèle pour préparer la surface de montage à la découpe.
- 6 À l'aide d'une scie circulaire ou d'une scie sauteuse, découpez la surface de montage le long de la ligne du modèle.
- 7 Placez le haut-parleur dans la découpe pour vérifier l'ajustement.
- 8 Au besoin, utilisez une lime et du papier de verre pour affiner le contour de la découpe.
- 9 Lorsque le haut-parleur est bien ajusté au contour, assurez-vous que les trous de montage sur le haut-parleur s'alignent sur les trous d'implantation du modèle.
- 10 Si les trous de montage sur le haut-parleur ne sont pas alignés, repérez les nouveaux emplacements des trous.
- 11 Percez les trous à l'aide d'un foret de taille adaptée à la surface de montage et au type de vis.
- 12 Retirez le modèle de la surface de montage.
- 13 Placez le joint inclus ① au dos du haut-parleur, en prenant soin d'aligner les trous du joint avec ceux du haut-parleur.



- 14 Connectez les fils du haut-parleur ② en respectant bien la polarité.
- 15 Enfoncez le fil dans un crochet de fixation pour diminuer la tension exercée sur le fil.
- 16 Si besoin, connectez les fils des voyants LED (voir la section suivante).
- 17 Placez le haut-parleur dans la découpe.
- 18 Fixez le haut-parleur à la surface de montage à l'aide des vis fournies ③.
REMARQUE : ne serrez pas les vis outre mesure, surtout si la surface de montage n'est pas plate.
- 19 Si besoin, fixez la grille sur la façade du haut-parleur.

Câblage des voyants LED du caisson de basse, modèle sports

Connexion des fils des voyants LED aux haut-parleurs, modèle sports

REMARQUE : cette fonction est uniquement disponible sur les haut-parleurs modèle sports.

Vous pouvez contrôler la couleur des voyants LED en jouant sur la polarité des fils des voyants LED.

- 1 Avec la clé Allen, désérrez les vis présentes sur les bornes du câblage à l'arrière du haut-parleur.
- 2 Connectez les fils noir et rouge à la borne en fonction de la couleur de voyant LED que vous préférez.

LED bleu	Noir vers borne négative (-) Rouge vers borne positive (+)
LED blanc	Noir vers borne positive (+) Rouge vers borne négative (-)

- 3 Avec la clé Allen, serrez les vis situées sur les bornes du câblage.
- 4 Enfoncez le fil dans un crochet de fixation pour diminuer la tension exercée sur le fil.

Connexion des fils des voyants LED à l'alimentation sur les haut-parleurs, modèle sports

REMARQUE : cette fonction est uniquement disponible sur les haut-parleurs modèle sports.

Pour tout le câblage 12 V c.c. des voyants LED, un fusible de 3 A doit être posé à l'extrémité de la source d'alimentation de votre câble. Le fil d'alimentation rouge (+) doit être connecté à une source 12 V c.c. à l'aide d'un sectionneur ou d'un disjoncteur afin d'allumer et éteindre les voyants LED du haut-parleur. Vous pouvez utiliser le même sectionneur ou disjoncteur que vous utilisez pour alimenter votre chaîne stéréo, ce qui vous permet d'allumer et d'éteindre les voyants LED et la chaîne stéréo en même temps.

Si les fils rouge et noir fournis avec les haut-parleurs sont trop courts, vous pouvez les rallonger à l'aide d'un câble de 0,5 mm² (20 AWG) ou supérieur.

- 1 Acheminez les fils d'alimentation rouge (+) et de mise à la terre noir (-) vers la batterie et le haut-parleur.
- 2 Connectez le fil noir à la borne négative (-) de la batterie.
- 3 Connectez le fil rouge à la borne positive (+) à l'aide d'un fusible de 3 A et d'un sectionneur ou d'un disjoncteur.

Fixation de la grille sur les haut-parleurs, modèle classique

REMARQUE : cette fonction est uniquement disponible sur les haut-parleurs modèle classique.

- 1 Une fois les haut-parleurs montés, tenez la grille en orientant le logo FUSION vers le bas, soit en position 6 h.
- 2 Tournez la grille dans le sens inverse des aiguilles d'une montre d'environ 10°, afin que le logo FUSION se retrouve en position 5 h.

- Placez la grille sur le rebord du haut-parleur.
- Tournez la grille dans le sens des aiguilles d'une montre pour la bloquer.

Informations sur les haut-parleurs

True-MarineProduits

Les produits True-Marine sont soumis à des essais d'environnement rigoureux lors de conditions maritimes difficiles afin de dépasser les recommandations du secteur.

Les produits portant la certification True-Marine ont été conçus dans une optique d'ergonomie et allient des technologies avancées pour la mer afin de proposer une expérience ludique inégalée. Tous les produits True-Marine sont fournis avec la garantie limitée de trois ans FUSION pour les produits grand public.

Régulateur de tension pour voyants LED en option

Vous pouvez utiliser un régulateur de tension pour voyants LED (accessoire en option appelé « SG-VREGLED ») afin de réguler la tension de la batterie émise pour les voyants LED. Vous pouvez utiliser le régulateur de tension si vous remarquez un changement de luminosité lors du fonctionnement du moteur, de la recharge, ou de l'utilisation de la batterie seule. Le régulateur de tension peut alimenter les voyants LED de dix haut-parleurs ou caissons de basses Signature Series maximum ; quatre paires de haut-parleurs et deux caissons de basses, par exemple.

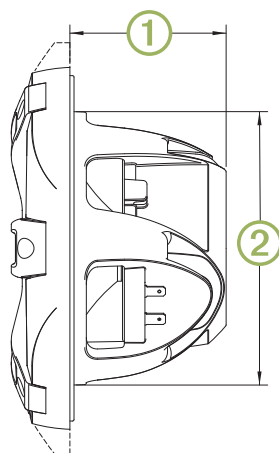
Enregistrement de votre Signature Series

Aidez-nous à mieux vous servir en remplissant dès aujourd'hui notre formulaire d'enregistrement en ligne.

- Rendez-vous sur le site www.fusionentertainment.com.
- Conservez en lieu sûr l'original de la facture ou une photocopie.

Croquis sur les dimensions

Signature Series : vue latérale

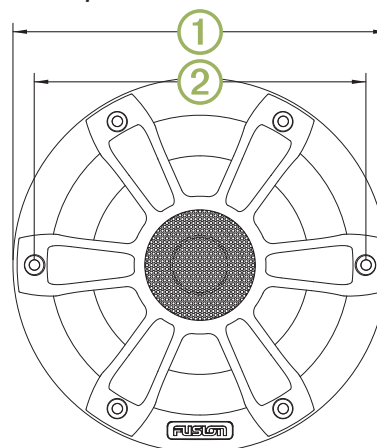


Dimensions	Haut-parleurs 6,5 po	Haut-parleurs 7,7"	Haut-parleurs 8,8 po
①	76 mm (3,0 po)	82,5 mm (3,25 po)	102,5 mm (4,05 po)
②	133 mm (5,25 po)	153 mm (6,0 po)	184,9 mm (7,28 po)

L'illustration du haut-parleur présente le modèle sports mais les dimensions sont identiques à celles du modèle classique.

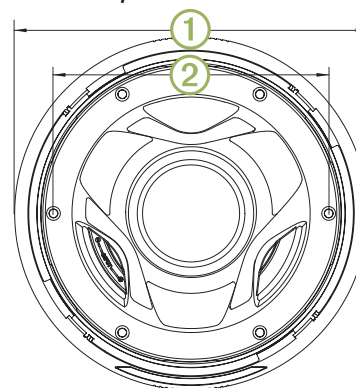
REMARQUE : vous devez laisser au moins 3 mm (0,15 pi) d'espace en plus de la profondeur du haut-parleur.

Vue de face du modèle sports



Dimensions	Haut-parleurs 6,5 po	Haut-parleurs 7,7"	Haut-parleurs 8,8 po
①	176 mm (6,93 po)	196 mm (7,69 po)	224 mm (8,8 po)
②	156 mm (6,13 po)	176 mm (6,94 po)	202 mm (7,95 po)

Vue arrière du modèle classique



Dimensions	Haut-parleurs 6,5 po	Haut-parleurs 7,7"	Haut-parleurs 8,8 po
①	200 mm (7,88 po)	220 mm (8,69 po)	247 mm (9,72")
②	156 mm (6,13 po)	176 mm (6,94 po)	202 mm (7,95 po)

Nettoyage des haut-parleurs

REMARQUE : quand ils sont installés correctement, ces haut-parleurs offrent en façade un indice de protection IP65 contre les aléas de l'environnement marin. Ils ne sont pas conçus pour résister à des jets d'eau puissants, comme lorsque vous lavez votre bateau au jet. Si vous ne faites pas attention au moment de laver votre bateau au jet, vous risquez d'endommager le produit et d'annuler la garantie.

AVIS

N'utilisez aucun produit nettoyant abrasif ni à base de solvant sur les haut-parleurs. L'utilisation de ce type de produit risque d'endommager l'appareil et d'annuler la garantie.

- Nettoyez l'eau salée et les résidus de sel de la grille du haut-parleur à l'aide d'un chiffon humidifié avec de l'eau douce.
- Utilisez un détergent doux pour ôter l'accumulation de sel ou les taches.

Dépannage

Avant de contacter votre revendeur ou centre de services FUSION, suivez quelques étapes simples de dépannage afin de diagnostiquer le problème qui vous concerne par vous-même.

Si le haut-parleur FUSION a été installé par une entreprise d'installation, prenez contact avec cette entreprise afin que les techniciens puissent localiser le problème et vous conseiller sur d'éventuelles solutions.

Aucun son ne sort des haut-parleurs

- Vérifiez que toutes les connexions de l'appareil source ou de l'ampli sont correctement effectuées vers les bornes du haut-parleur.

Le système manque de fréquences basses ou aiguës

- Vérifiez que la polarité des fils est bien respectée entre la source et les haut-parleurs.
Les fils doivent être connectés de la façon suivante : borne positive à positive, borne négative à négative.
- Vérifiez que les haut-parleurs sont bien fixés à la surface de montage.

Le son est déformé

- Vérifiez que le volume à la source n'est pas trop élevé pour le haut-parleur et réduisez-le si besoin.
- Vérifiez que les tableaux disposés autour du haut-parleur du bateau ne s'entrechoquent pas.
- Vérifiez que l'appareil source ou l'ampli sont correctement connectés aux bornes du haut-parleur.
- Si le haut-parleur est connecté à un ampli, vérifiez que le niveau d'entrée de l'ampli correspond bien au niveau de sortie de la chaîne stéréo. Pour plus d'informations, consultez le manuel de l'ampli.

Les voyants LED ne s'allument pas

- Veillez à ce que toutes les connexions de câbles soient correctes et bien serrées.

Les voyants LED battent au rythme des notes de basse de la musique

- Installez un régulateur de tension pour voyants LED FUSION (SG-VREGLED).

Caractéristiques techniques

Caractéristique	Haut-parleurs 6,5 po	Haut-parleurs 7,7"	Haut-parleurs 8,8 po
Puissance max. (watts)	230 W	280 W	330 W
Puissance RMS (watts)	75 W	100 W	130 W
Efficacité (1 W/1 m)	90 dB	91 dB	91 dB
Réponse de fréquence (+ 3 dB)	De 70 Hz à 22 kHz	De 60 Hz à 22 kHz	De 50 Hz à 20 kHz
Profondeur de montage minimale (dégagement)	79 mm (3,11 po)	86 mm (3,39 po)	105,5 mm (4,15 po)
Diamètre de montage (dégagement)	136 mm (5,35 po)	156 mm (6,12 po)	188 mm (7,4 po)
Impédance	4 ohms		
Tension d'alimentation pour voyants LED (haut-parleurs modèle sports uniquement)	De 10,8 à 16 V c.c.		
Courant de charge des voyants LED à 14,4 V c.c. (haut-parleurs modèle sports uniquement)	150 mA		
Plage de températures de fonctionnement	De 0 à 50 °C (de 32 à 122 °F)		
Plage de températures de stockage	De -20 à 70°C (de -4 à 158°F)		
Type de baffle	Silk dome		

Distances de sécurité du compas

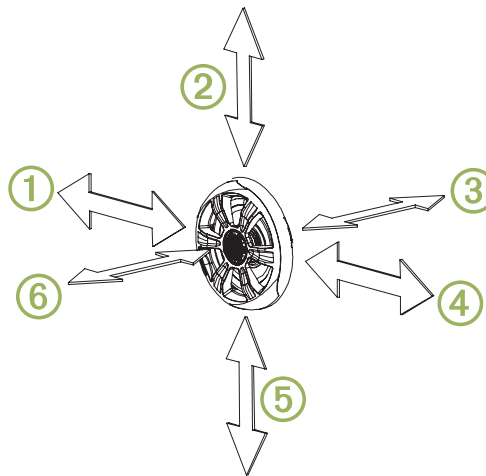
Tous les haut-parleurs contiennent des aimants susceptibles de provoquer des interférences avec les instruments présents sur votre bateau. La taille de l'aimant utilisé dans le haut-parleur joue sur le degré d'intensité de l'interférence qu'il peut entraîner.

Les interférences peuvent provoquer des écarts et des inexactitudes dans les lectures fournies par les équipements de navigation sensibles, comme les compas magnétiques. Ces écarts peuvent entraîner des lectures inexactes ou décalées sans avoir de conséquences néfastes sur les équipements en question. Pour réduire ces écarts, ajustez le compas en prenant compte de la valeur de décalage, conformément aux instructions du fabricant, ou éloignez le

haut-parleur de l'équipement de navigation. Quand vous déplacez une source d'interférence, vous devrez peut-être procéder au réétalonnage du compas.

Si seul un compas magnétique vous guide pendant la navigation, soyez très prudent lorsque vous éloignez le haut-parleur du compas afin d'éviter de provoquer des écarts de lecture.

Pour éviter les écarts dans votre équipement de navigation, éloignez les haut-parleurs en respectant les distances minimum répertoriées dans le tableau ci-dessous.



Direction depuis le haut-parleur	Haut-parleurs 6,5 po	Haut-parleurs 7,7 po	Haut-parleurs 8,8 po
①	181 cm (5,94 pi)	193 cm (6,33 pi)	171 cm (5,61 pi)
②	198 cm (6,49 pi)	224 cm (7,35 pi)	171 cm (5,61 pi)
③	310 cm (10,17 pi)	358 cm (11,75 pi)	412 cm (13,52 pi)
④	153 cm (5,02 pi)	175 cm (5,74 pi)	173 cm (5,68 pi)
⑤	160 cm (5,24 pi)	198 cm (6,50 pi)	178 cm (5,84 pi)
⑥	310 cm (10,17 pi)	333 cm (10,93 pi)	318 cm (10,43 pi)

Recommandations relatives à la puissance nominale de l'ampli

Haut-parleurs 6,5 po	De 30 à 90 W RMS, lecture de musique
Haut-parleurs 7,7"	De 25 à 120 W RMS, lecture de musique
Haut-parleurs 8,8 po	De 25 à 140 W RMS, lecture de musique

Recommandations en cas d'utilisation d'une enceinte antirésonnante

Caractéristique	Haut-parleurs 6,5 po	Haut-parleurs 7,7"	Haut-parleurs 8,8 po
Volume du caisson clos*	18 L (0,64 pi ³)	20 L (0,71 pi ³)	22 L (0,78 pi ³)
Volume de l'enceinte réflexe**	25 L (0,88 pi ³)	30 L (1,06 pi ³)	35 L (1,23 pi ³)
Diamètre du réflex	76 mm (3 po)	76 mm (3 po)	76 mm (3 po)
Longueur du réflex	162 mm (6,4 po)	160 mm (6,3")	170 mm (6,7 po)

* Entièrement comblé avec du matériel d'absorption

** Doublé avec le matériel d'absorption

Altoparlanti Signature Series Istruzioni di installazione

Informazioni importanti sulla sicurezza

⚠ AVVERTENZA

La mancata osservanza delle seguenti avvertenze e avvisi potrebbe causare lesioni personali, danni all'imbarcazione o scarse prestazioni del prodotto.

Se guiden *Vigtige oplysninger om sikkerhed og produkter* i æsken med produktet for at se produktadvarsler og andre vigtige oplysninger.

Questo dispositivo deve essere installato attenendosi alle seguenti istruzioni. Scollegare l'alimentazione dell'imbarcazione prima di installare il prodotto.

⚠ ATTENZIONE

I sistemi audio possono produrre livelli di pressione audio superiori a 135 dB. L'esposizione costante a livelli di pressione audio superiori a 100 dB può causare perdita di udito permanente. Generalmente il volume è troppo alto se non si riescono a sentire le persone che parlano. Limitare la quantità di tempo in cui si utilizza il volume alto. Se si avvertono fischi alle orecchie o suoni ovattati, interrompere l'ascolto e far controllare l'udito.

Durante le operazioni di foratura, taglio o carteggiatura, indossare degli occhiali protettivi, una maschera antipolvere e un'adeguata protezione per l'udito.

AVVISO

Prima di effettuare fori o tagli verificare l'eventuale presenza di oggetti nel lato opposto della superficie da tagliare.

Per prestazioni ottimali, è consigliata l'installazione del sistema audio da parte di un tecnico specializzato.

Leggere tutte le istruzioni di installazione prima di iniziare l'installazione. In caso di difficoltà durante l'installazione, visitare il sito Web www.fusionentertainment.com per assistenza relativa ai prodotti.

Contenuto della confezione

- 2 altoparlanti
- 2 cavi degli altoparlanti stagnati, preterminati (6 m)
- 12 viti di montaggio Phillips in acciaio inossidabile 4,2 mm x 38 mm (calibro 8 x 1,5 poll.)
- Modelli di montaggio
- 2 guarnizioni per il montaggio in schiuma
- 2 griglie (solo modelli Classico)
- 2 cavi stagnati per il collegamento dei LED (6 m) (solo modelli Sport)
- Chiave esagonale (solo modelli Sport)

Strumenti necessari per l'installazione

- Trapano elettrico
- Punta da trapano (la dimensione varia in base al materiale della superficie)
- Cacciavite Phillips
- Spelacavi
- Crimpatrice
- Nastro isolante
- Sega o taglierino per tagliare il materiale della superficie
- Sigillante marino (opzionale)

NOTA: per le installazioni personalizzate, potrebbero essere necessari altri strumenti e materiali.

Informazioni sull'installazione

Selezionare la posizione di installazione corretta è fondamentale per ottimizzare le prestazioni di ciascun altoparlante. Gli altoparlanti FUSION sono progettati per funzionare nella gamma più ampia possibile di posizioni di installazione, tuttavia maggiore sarà la pianificazione dell'installazione, migliore sarà la qualità dell'audio emesso dagli altoparlanti.

- Per prestazioni ottimali, gli altoparlanti non devono essere installati nella parte bassa dell'imbarcazione. L'audio viaggia nella direzione verso la quale sono rivolti gli altoparlanti. La qualità del suono non è ottimale se gli altoparlanti vengono montati in basso.
- Per installare gli altoparlanti al di fuori dell'imbarcazione, scegliere una posizione nettamente sopra la superficie dell'acqua, in modo tale che non vengano sommersi. Installare gli altoparlanti in una posizione che eviti danni causati da banchine, piloni o altre attrezzature. Se montati correttamente, questi altoparlanti hanno un grado di protezione IP65 per l'impiego in ambienti marini difficili. L'esposizione all'acqua e i danni alla parte posteriore dell'altoparlante invalideranno la garanzia. Ciò include l'installazione in un involucro sigillato, specialmente se lavabile. Una porta

o una presa d'aria potrebbero consentire all'acqua di penetrare nell'involucro e danneggiare l'altoparlante.

- Le posizioni di installazione degli altoparlanti devono permettere di udire i suoni provenienti da entrambi gli altoparlanti e da diverse posizioni contemporaneamente per raggiungere un effetto audio diffuso. Per raggiungere questo effetto, gli altoparlanti non devono essere installati uno accanto all'altro.
- Per prestazioni ottimali dei bassi, installare ciascun altoparlante in un'area che prevede spazio sufficiente dietro l'altoparlante. Un'area troppo ridotta limita i bassi e un'area troppo vasta compromette le prestazioni dei bassi. Posizionare un altoparlante vicino a un'area aperta (in cui il suono proveniente dalla parte posteriore dell'altoparlante ha un percorso molto breve rispetto all'audio proveniente dalla parte anteriore dell'altoparlante) produce bassi più attenuati.
- Laddove possibile, l'area dietro a ciascun altoparlante deve essere racchiusa.
- Le posizioni di installazione dell'altoparlante devono fornire ingombro sufficiente alla profondità di installazione degli altoparlanti, come indicato nelle specifiche del prodotto.
- Se un altoparlante non viene esposto all'ambiente esterno, è possibile ottenere migliori prestazioni dei bassi utilizzando un involucro dotato di porte. Visualizzare le note per la protezione ottimale. Tali note specificano esclusivamente il volume e, per l'opzione con porte, viene fornita la dimensione e la lunghezza ottimale delle porte.
- Selezionare una superficie di installazione piatta per sigillare in modo ottimale.
- Proteggere i cavi dell'altoparlante da oggetti acuminati e utilizzare sempre occhiali di gomma per i cablaggi nei pannelli.
- La posizione di installazione deve evitare potenziali ostacoli, ad esempio carburante, tubi idraulici e cavi.
- Proteggere tutti i terminali e le connessioni da incagliamenti. In caso contrario potrebbero verificarsi danni permanenti al sistema audio che invalideranno la garanzia del prodotto.
- Per evitare interferenze con una bussola magnetica, installare gli altoparlanti rispettando la distanza di sicurezza dalla bussola indicata nelle specifiche del prodotto.
- Il sistema audio deve essere spento prima di effettuare qualsiasi collegamento all'unità sorgente, all'amplificatore o agli altoparlanti. In caso contrario potrebbero verificarsi danni permanenti al sistema audio.

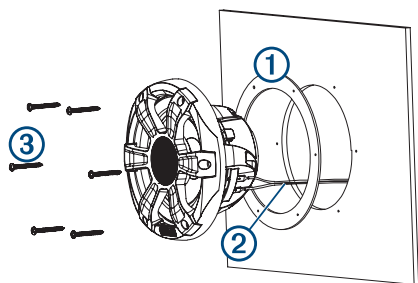
Installazione degli altoparlanti

Prima di installare gli altoparlanti, scegliere una posizione con sufficiente ingombro dietro la superficie di installazione. Fare riferimento alle caratteristiche tecniche per informazioni sull'ingombro.

Prima di installare gli altoparlanti, scegliere una posizione seguendo le linee guida precedenti.

- 1 Passare i cavi dalla sorgente alla posizione degli altoparlanti, lontano da fonti di interferenza elettrica.
- 2 Rifinire la dima e accertarsi che sia idonea per la posizione selezionata.
- 3 Orientare la dima con il logo FUSION rivolto verso la parte inferiore della dima.
- 4 Fissare la dima nella posizione di installazione.
- 5 Con una punta da trapano compatibile con la superficie di installazione, praticare un foro all'interno della linea tracciata sulla dima per prepararsi al taglio della superficie di installazione.
- 6 Tagliare con una sega o con uno strumento a rotazione la superficie di installazione seguendo l'interno della linea sulla dima.
- 7 Posizionare l'altoparlante nel foro per verificare l'ingombro.
- 8 Se necessario, utilizzare una lima e della carta abrasiva per rifinire l'incasso.
- 9 Dopo aver inserito correttamente l'altoparlante nell'incasso, accertarsi che i fori di montaggio su quest'ultimo siano allineati ai fori di riferimento sulla dima.
- 10 Se i fori non sono allineati segnare la nuova posizione corretta.

- 11 Con una punta da trapano di dimensioni compatibili con la superficie di installazione e con il tipo di viti, praticare i fori.
- 12 Rimuovere la dima dalla superficie di installazione.
- 13 Inserire la guarnizione inclusa ① sul retro dell'altoparlante, allineando i fori sulla guarnizione ai fori sull'altoparlante.



- 14 Collegare i cavi dell'altoparlante ② osservando la polarità.
 - 15 Inserire il cavo in una clip di fissaggio per allentare la tensione sul cavo.
 - 16 Se necessario, collegare i cavi LED (consultare la sezione seguente).
 - 17 Posizionare l'altoparlante nella sagoma ritagliata.
 - 18 Fissare l'altoparlante alla superficie di montaggio utilizzando le viti in dotazione ③.
- NOTA:** non serrare eccessivamente le viti, specialmente se la superficie di installazione non è piana.
- 19 Se necessario, collegare la griglia alla parte frontale dell'altoparlante.

Cavi LED del subwoofer modello Sport

Collegamento dei cavi LED agli altoparlanti modello Sport

NOTA: questa funzione è disponibile solo per gli altoparlanti modello Sport.

È possibile controllare il colore dei LED in base alla polarità dei cavi LED.

- 1 Con una chiave esagonale, allentare le viti sui terminali dei cavi sulla parte posteriore dell'altoparlante.
- 2 Collegare i cavi nero e rosso al terminale in base al colore LED preferito.

LED blu	Nero a negativo (-) Rosso a positivo (+)
LED bianco	Nero a positivo (+) Rosso a negativo (-)

- 3 Con una chiave esagonale, serrare le viti sui terminali dei cavi.
- 4 Inserire il cavo in una clip di fissaggio per allentare la tensione sul cavo.

Collegamento dei cavi LED degli altoparlanti modello Sport all'alimentazione

NOTA: questa funzione è disponibile solo per gli altoparlanti modello Sport.

Tutti i cablaggi da 12 V cc ai LED devono essere saldati in corrispondenza dell'estremità della sorgente di alimentazione del cavo mediante un fusibile 3 A. Il cavo di alimentazione rosso (+) deve essere collegato a una sorgente da 12 V cc tramite un interruttore/sezionatore o un interruttore automatico per accendere e spegnere i LED dell'altoparlante. È possibile utilizzare lo stesso interruttore/sezionatore o interruttore automatico che controlla l'alimentazione dello stereo per accendere e spegnere contemporaneamente i LED e lo stereo.

Se fosse necessario prolungare i cavi rosso e nero inclusi con gli altoparlanti, utilizzare un cavo da 0,5 mm (20 AWG²) o di maggiore spessore.

- 1 Passare il cavo rosso (+) e il cavo nero di terra (-) attraverso la batteria e l'altoparlante.
- 2 Collegare il cavo nero al terminale negativo (-) della batteria.
- 3 Collegare il cavo rosso al terminale positivo (+) mediante un fusibile 3 A e un interruttore/sezionatore o interruttore automatico.

Collegamento della griglia agli altoparlanti modello Classico

NOTA: questa funzione è disponibile solo per gli altoparlanti modello Classico.

- 1 Con gli altoparlanti installati, posizionare la griglia con il logo FUSION rivolto verso la parte inferiore oppure posizionato a ore 6.

- 2 Ruotare la griglia in senso antiorario di circa 10°, in modo che il logo FUSION sia posizionato a ore 5.
- 3 Posizionare la griglia sul cerchio dell'altoparlante.
- 4 Ruotare la griglia in senso orario per fissarla.

Informazioni sugli altoparlanti

Prodotti True-Marine

I prodotti True-Marine sono soggetti a rigorosi test ambientali in condizioni marine difficili per superare le linee guida del settore dei prodotti per la nautica.

I prodotti che includono il bollino di garanzia True-Marine sono stati progettati per la semplicità d'uso e combinano le tecnologie per la nautica più avanzate per offrire un'esperienza di intrattenimento leader del settore. Tutti i prodotti True-Marine sono supportati dalla garanzia mondiale del consumatore FUSION limitata di 3 anni.

Regolatore di tensione LED opzionale

È possibile utilizzare un regolatore di tensione LED (accessorio opzionale SG-VREGLED) per regolare l'alimentazione di tensione della batteria per le luci LED. È possibile utilizzare il regolatore di tensione se si notano cambiamenti nei livelli di luminosità quando il motore è acceso, in carica oppure alimentato esclusivamente a batteria. Il regolatore di tensione può alimentare i LED di massimo dieci altoparlanti o subwoofer Signature Series; ad esempio otto altoparlanti e due subwoofer.

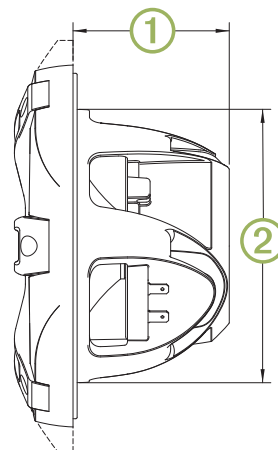
Registrazione del Signature Series

Per un'assistenza completa, eseguire subito la registrazione in linea.

- Visitare il sito Web www.fusionentertainment.com.
- Conservare in un luogo sicuro la ricevuta di acquisto originale o la fotocopia.

Disegni di ingombro del subwoofer

Vista laterale del modello Signature Series

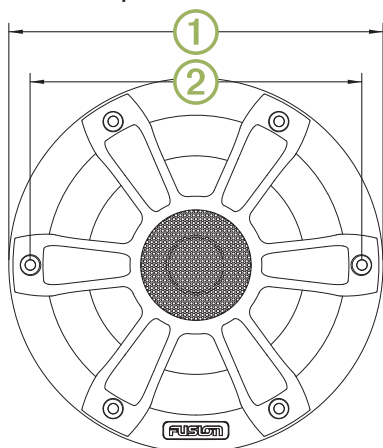


Dimensione	Altoparlanti da 6,5"	Altoparlanti da 7,7"	Altoparlanti da 8,8"
①	76 mm (3,0 poll.)	82,5 mm (3,25 poll.)	102,5 mm (4,05 poll.)
②	133 mm (5,25 poll.)	153 mm (6,0 poll.)	184,9 mm (7,28 poll.)

Nell'esempio viene mostrato un altoparlante modello Sport, ma le dimensioni sono le stesse per l'altoparlante modello Classico.

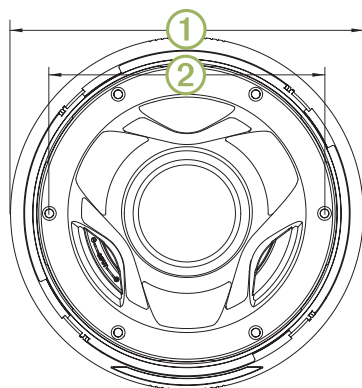
NOTA: lasciare almeno 3 mm (0,15 poll.) di spazio oltre la profondità dell'altoparlante.

Vista anteriore del modello Sport



Dimensione	Altoparlanti da 6,5"	Altoparlanti da 7,7"	Altoparlanti da 8,8"
①	176 mm (6,93 poll.)	196 mm (7,69 poll.)	224 mm (8,8 poll.)
②	156 mm (6,13 poll.)	176 mm (6,94 poll.)	202 mm (7,95 poll.)

Vista posteriore del modello Classico



Dimensione	Altoparlanti da 6,5"	Altoparlanti da 7,7"	Altoparlanti da 8,8"
①	200 mm (7,88 poll.)	220 mm (8,69 poll.)	247 mm (9,72 poll.)
②	156 mm (6,13 poll.)	176 mm (6,94 poll.)	202 mm (7,95 poll.)

Pulizia degli altoparlanti

NOTA: se montati correttamente, questi altoparlanti hanno un grado di protezione IP65 per l'impiego in ambienti marini difficili. Non sono progettati per resistere a spruzzi d'acqua ad alta pressione, che potrebbero verificarsi durante il lavaggio dell'imbarcazione. Gli spruzzi d'acqua possono danneggiare il prodotto e invalidare la garanzia.

AVVISO

Non utilizzare detergenti aggressivi o a base di solventi sugli altoparlanti. L'uso di tali detergenti può danneggiare il prodotto e invalidare la garanzia.

- 1 Rimuovere l'acqua salata e i residui di sale dalla griglia dell'altoparlante con un panno soffice inumidito con acqua dolce.
- 2 Utilizzare un detergente delicato per rimuovere gli accumuli di sale o le macchie d'acqua.

Risoluzione dei problemi

Prima di contattare il rivenditore FUSION o il centro assistenza, effettuare una semplice procedura per diagnosticare il problema.

Se l'altoparlante FUSION è stato installato da una ditta di installazione professionale, contattare la ditta in modo che i tecnici possano valutare il problema e fornire possibili soluzioni.

Dagli altoparlanti non proviene alcun suono

- Verificare che tutte le connessioni dal dispositivo sorgente e/o dall'amplificatore siano collegate correttamente ai terminali dell'altoparlante.

Il sistema non trasmette le frequenze alte o basse

- Verificare che la polarità dei cavi sia rispettata tra la sorgente e gli altoparlanti.
I cavi devono essere collegati da positivo a positivo e da negativo a negativo.
- Verificare che gli altoparlanti siano collegati saldamente alla superficie di installazione.

L'audio è distorto

- Verificare che il volume della sorgente non sia troppo alto per l'altoparlante e ridurre il volume se necessario.
- Verificare che i pannelli che circondano l'altoparlante sull'imbarcazione non emettano fruscii.
- Verificare che il dispositivo sorgente e/o l'amplificatore siano collegati correttamente ai terminali dell'altoparlante.
- Se l'altoparlante è collegato a un amplificatore, verificare che il livello di input dell'amplificatore corrisponda al livello di output dello stereo. Per ulteriori informazioni, consultare il manuale dell'amplificatore.

Le luci LED non si accendono

- Verificare che tutti i collegamenti dei cavi siano corretti e saldi.

I LED pulsano con le note musicali basse

- Installare un regolatore di tensione LED FUSION (SG-VREGLED).

Specifiche

Specifica	Altoparlanti da 6,5"	Altoparlanti da 7,7"	Altoparlanti da 8,8"
Potenza massima (Watt)	230 W	280 W	330 W
Potenza RMS (Watt)	75 W	100 W	130 W
Efficienza (1 W/1 m)	90 dB	91 dB	91 dB
Risposta in frequenza (+ 3 dB)	Da 70 Hz a 22 kHz	Da 60 Hz a 22 kHz	Da 50 Hz a 20 kHz
Minima minima (ingombro)	79 mm (3,11 poll.)	86 mm (3,39 poll.)	105,5 mm (4,15 poll.)
Diametro di installazione (ingombro)	136 mm (5,35 poll.)	156 mm (6,12 poll.)	188 mm (7,4 poll.)
Impedenza	4 ohm		
Tensione di alimentazione LED (solo per gli altoparlanti modello Sport)	Da 10,8 a 16 V cc		
Corrente di carico LED a 14,4 V cc (solo per gli altoparlanti modello Sport)	150 mA		
Temperatura operativa	Da 0 a 50 °C (da 32 a 122 °F)		
Temperatura di stoccaggio	Da -20 a 70 °C (da -4 a 158 °F)		
Tipo di tweeter	Cupola di seta		

Distanze di sicurezza dalla bussola

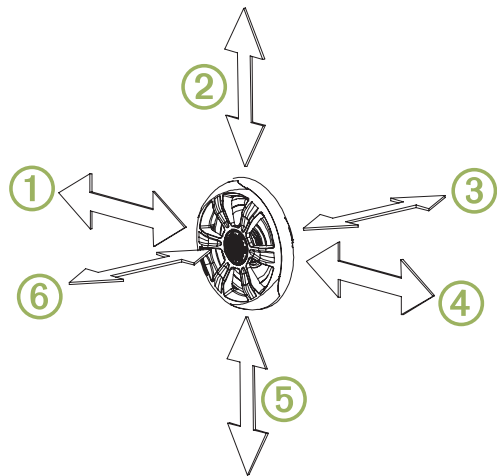
Tutti gli altoparlanti contengono magneti che possono causare interferenze con le strumentazioni sull'imbarcazione. La dimensione del magnete utilizzato nell'altoparlante influisce sulla quantità di interferenza causata dall'altoparlante.

L'interferenza può causare deviazioni e variazioni nelle letture delle apparecchiature di navigazione sensibili, ad esempio le bussole magnetiche. Tali deviazioni possono causare imprecisioni o differenze nelle letture, ma non causeranno danni alle apparecchiature. Per ridurre le deviazioni, regolare la bussola per la deviazione attenendosi alle istruzioni fornite dal produttore o

allontanare l'altoparlante dalle apparecchiature di navigazione. Dopo aver spostato una fonte di interferenza, è possibile ricalibrare la bussola.

Se durante la navigazione viene utilizzata esclusivamente una bussola magnetica, accertarsi di posizionare l'altoparlante sufficientemente lontano dalla bussola per evitare di causare deviazioni nelle letture.

Per evitare deviazioni alle apparecchiature di navigazione, posizionare gli altoparlanti alla distanza minima indicata nella tabella riportata di seguito dalle apparecchiature di navigazione.



Direzione dall'altoparlante	Altoparlanti da 6,5"	Altoparlanti da 7,7"	Altoparlanti da 8,8"
①	181 cm (5,94 piedi)	193 cm (6,33 piedi)	171 cm (5,61 piedi)
②	198 cm (6,49 piedi)	224 cm (7,35 piedi)	171 cm (5,61 piedi)
③	310 cm (10,17 piedi)	358 cm (11,75 piedi)	412 cm (13,52 piedi)
④	153 cm (5,02 piedi)	175 cm (5,74 piedi)	173 cm (5,68 piedi)
⑤	160 cm (5,24 piedi)	198 cm (6,50 piedi)	178 cm (5,84 piedi)
⑥	310 cm (10,17 piedi)	333 cm (10,93 piedi)	318 cm (10,43 piedi)

Note sulla classificazione di potenza dell'amplificatore

Altoparlanti da 6,5"	RMS da 30 a 90 W, riproduzione di musica
Altoparlanti da 7,7"	RMS da 25 a 120 W, riproduzione di musica
Altoparlanti da 8,8"	RMS da 25 a 140 W, riproduzione di musica

Note per la protezione ottimale

Specifica	Altoparlanti da 6,5"	Altoparlanti da 7,7"	Altoparlanti da 8,8"
Volume del rivestimento sigillato*	18 L (0,64 piedi ³)	20 L (0,71 piedi ³)	22 L (0,78 piedi ³)
Volume del rivestimento con porte (ventilato)**	25 L (0,88 piedi ³)	30 L (1,06 piedi ³)	35 L (1,23 piedi ³)
Diametro della porta	76 mm (3 poll.)	76 mm (3 poll.)	76 mm (3 poll.)
Lunghezza della porta	162 mm (6,4 poll.)	160 mm (6,3 poll.)	170 mm (6,7 poll.)

*Riempito completamente con materiale assorbente

**Rivestito con materiale assorbente

Lautsprecher der Signature Series – Installationsanweisungen

Wichtige Sicherheitsinformationen

⚠️ WARNUNG

Wenn Sie die Warnungen und Vorsichtshinweise nicht beachten, könnte es zu Personenschäden, Schäden am Schiff oder zu einer schlechten Leistung des Produkts kommen.

Lesen Sie alle Produktwarnungen und sonstigen wichtigen Informationen der Anleitung "Wichtige Sicherheits- und Produktinformationen", die dem Produkt beiliegt.

Das Gerät muss gemäß diesen Anweisungen installiert werden.

Beginnen Sie erst mit der Installation dieses Produkts, wenn Sie die Stromversorgung des Boots getrennt haben.

⚠️ ACHTUNG

Audiosysteme können Schalldruckpegel von mehr als 135 dB erzeugen. Wenn Sie fortwährend Schalldruckpegeln von mehr als 100 dB ausgesetzt sind, können Sie Ihr Gehör dauerhaft verlieren. In der Regel ist die Lautstärke zu hoch eingestellt, wenn Sie Menschen, die sich in Ihrer Nähe unterhalten, nicht hören können. Begrenzen Sie in diesem Zusammenhang den Zeitraum, in dem Sie sich einer erhöhten Lautstärke aussetzen. Bei Klingelgeräuschen im Ohr oder der Wahrnehmung gedämpfter Töne sollten Sie das Anhören von Musik oder Ähnlichem einstellen und Ihr Gehör überprüfen lassen.

Tragen Sie beim Bohren, Schneiden und Schleifen immer Schutzbrille, Gehörschutz und eine Staubschutzmaske.

HINWEIS

Prüfen Sie beim Bohren oder Schneiden stets die andere Seite der zu bearbeitenden Fläche.

Es wird dringend empfohlen, das Audiosystem von Fachpersonal installieren zu lassen, um eine optimale Leistung zu erzielen.

Lesen Sie die gesamten Installationsanweisungen, bevor Sie mit der Installation beginnen. Sollten bei der Installation Probleme auftreten, finden Sie unter www.fusionentertainment.com Supportinformationen.

Lieferumfang

- 2 Lautsprecher
- 2 verzinnte, vorkonfektionierte Lautsprecherleitungen (6 m)
- 12 Kreuzschlitz-Befestigungsschrauben aus Edelstahl, 4,2 mm x 38 mm (AWG 8 x 1,5 Zoll)
- Montageschablonen
- 2 Schaumstoff-Einbaudichtungen
- 2 Gitter (nur klassische Modelle)
- 2 verzinnte LED-Verbindungskabel (6 m) (nur Sportmodelle)
- Inbusschlüssel (nur Sportmodelle)

Erforderliches Werkzeug

- Elektrische Bohrmaschine
- Bohrer (die Größe variiert je nach Material der Oberfläche)
- Kreuzschlitzschraubendreher
- Seitenschneider
- Crimpzange
- Isolierband
- Geeignete Säge oder Teppichmesser zum Schneiden der Oberfläche
- Seewassertaugliches Dichtungsmittel (optional)

HINWEIS: Bei einer individuell angepassten Installation ist u. U. zusätzliches Werkzeug und Material erforderlich.

Hinweise zur Montage

Die Auswahl des richtigen Montageorts ist für eine optimale Leistung der einzelnen Lautsprecher unerlässlich. FUSION Lautsprecher wurden so entwickelt, dass sie an möglichst vielen Montageorten montiert werden können. Je besser Sie die Installation planen, desto besser wird der Klang der Lautsprecher sein.

- Die Lautsprecher bieten die beste Leistung, wenn sie nicht tief auf dem Boot montiert werden. Der Ton wird in die Richtung ausgegeben, in die die Lautsprecher weisen. Bei einer niedrigen Montage der Lautsprecher sind die Klangqualität und die Lautstärke nicht ideal.
- Wenn Sie die Lautsprecher an der Außenseite des Boots montieren möchten, müssen sie an einem Ort so weit oberhalb der Wasserlinie montiert werden, dass sie nicht ins Wasser eintauchen. Die Lautsprecher müssen an einem Ort montiert werden, an dem sie nicht durch Docks,

Pfeiler oder andere Teile beschädigt werden. Bei ordnungsgemäßer Montage entsprechen diese Lautsprecher der Schutzklasse IP65 für den Schutz vor den harten Bedingungen auf See auf der Vorderseite des Lautsprechers. Wenn die Rückseite des Lautsprechers Feuchtigkeit ausgesetzt wird oder sie beschädigt wird, führt dies zum Erlöschen der Garantie. Dies schließt auch die Montage in einem geschlossenen Gehäuse ein, insbesondere, wenn sie abfließendem Wasser ausgesetzt sind. Durch eine Öffnung kann sich Wasser im Gehäuse sammeln, was eine Beschädigung des Lautsprechers zur Folge haben kann.

- Wählen Sie die Montageorte der Lautsprecher so, dass Sie den Ton aus beiden Lautsprechern aus unterschiedlichen Richtungen gleichzeitig hören, wie dies auf einer Bühne der Fall wäre. Hierzu sollten die Lautsprecher in der Regel nicht nebeneinander montiert werden.
- Verbessern Sie die Bassleistung, indem Sie jeden Lautsprecher an einem Ort montieren, der hinter dem Lautsprecher gerade ausreichend Platz bietet. Ist der Platz zu klein, wird der Bass gehemmt. Ist er zu groß, wird die Bassleistung eingeschränkt. Ein Lautsprecher in der Nähe eines offenen Bereichs (an dem Ton hinten vom Lautsprecher nur kurz mit Ton vorne vom Lautsprecher konkurriert) sorgt für den geringsten Bass.
- Der Bereich hinter den Lautsprechern sollte nach Möglichkeit geschlossen sein.
- An den Montageorten der Lautsprecher muss ausreichend Freiraum für die in den technischen Daten des Produkts angegebene Montagetiefe der Lautsprecher sein.
- Wenn ein Lautsprecher nicht im Freien montiert ist, wird die Bassleistung durch ein Bassreflexgehäuse verbessert. Weitere Informationen finden Sie in den Empfehlungen für ein optimales Gehäuse. Diese Empfehlungen führen lediglich das Volumen an, wobei für das Bassreflexgehäuse auch eine optimale Öffnungsgröße und -länge angegeben ist.
- Wählen Sie eine flache Montagefläche, um eine optimale Dichtung zu erzielen.
- Halten Sie die Lautsprecherleitungen von scharfen Gegenständen fern, und verwenden Sie beim Verlegen der Kabel durch Konsolen stets Gummitüllen.
- Der Montageort muss frei von möglichen Hindernissen wie Kraftstoff- und Hydraulikleitungen sowie -kabeln sein.
- Schützen Sie alle Anschlüsse und Verbindungen vor Erdung, und achten Sie darauf, dass sie sich nicht berühren. Andernfalls könnte das Audiosystem dauerhaft beschädigt werden und die Produktgarantie erlöschen.
- Damit es nicht zu Interferenzen mit Magnetkompassen kommt, muss bei der Montage der Lautsprecher der in den technischen Daten zum Produkt aufgeführte Sicherheitsabstand zum Kompass eingehalten werden.
- Das Audiosystem muss ausgeschaltet sein, bevor Sie Verbindungen mit dem Quellgerät, dem Verstärker oder den Lautsprechern herstellen. Andernfalls könnte es zu dauerhaften Schäden am Audiosystem kommen.

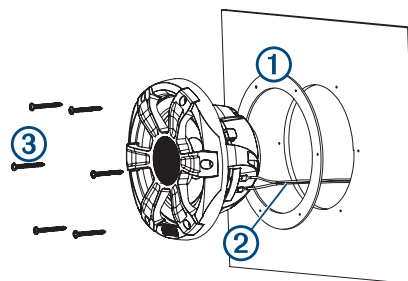
Montieren der Lautsprecher

Wählen Sie vor der Montage der Lautsprecher einen Montageort aus, der hinter der Montagefläche genug Freiraum bietet. Informationen zum Freiraum finden Sie in den technischen Daten.

Wählen Sie vor der Montage der Lautsprecher einen Montageort aus, und folgen Sie dazu den oben angegebenen Richtlinien.

- 1 Verlegen Sie die Leitungen von der Quelle zum Montageort des Lautsprechers. Dabei muss ausreichend Abstand zu elektronischen Störquellen bestehen.
- 2 Schneiden Sie die Schablone zu, und achten Sie darauf, dass sie an den gewählten Montageort passt.
- 3 Richten Sie die Schablone so aus, dass sich das FUSION Logo unten befindet.
- 4 Befestigen Sie die Schablone am gewählten Ort.
- 5 Bringen Sie mit einem für die Montagefläche geeigneten Bohrer ein Loch in der gestrichelten Linie auf der Schablone an, um die Montagefläche für das Schneiden vorzubereiten.
- 6 Schneiden Sie mit einer Stichsäge die Montagefläche entlang der Innenseite der Schablonenlinie aus.

- 7 Setzen Sie den Lautsprecher in den Ausschnitt ein, um den Sitz zu testen.
- 8 Passen Sie den Durchmesser des Ausschnitts bei Bedarf mit Feile und Sandpapier an.
- 9 Wenn der Lautsprecher ordnungsgemäß im Ausschnitt sitzt, vergewissern Sie sich, dass die Montagelöcher am Lautsprecher auf die Vorbohrungen der Schablone ausgerichtet sind.
- 10 Ist das nicht der Fall, kennzeichnen Sie neue Positionen für die Löcher.
- 11 Bringen Sie mit einem für die Montagefläche und den Schraubentyp geeigneten Bohrer die Löcher an.
- 12 Entfernen Sie die Schablone von der Montagefläche.
- 13 Setzen Sie die mitgelieferte Dichtung ① auf die Rückseite des Lautsprechers. Richten Sie dabei die Löcher der Dichtung auf die Löcher am Lautsprecher aus.



- 14 Verbinden Sie die Lautsprecherleitungen ②, und achten Sie dabei auf die korrekte Ausrichtung der Pole.
- 15 Drücken Sie die Leitung in eine Halteklammer, um den auf die Leitung ausgeübten Druck zu verringern.
- 16 Verbinden Sie bei Bedarf die LED-Leitungen (siehe folgender Abschnitt).
- 17 Setzen Sie den Lautsprecher in den Ausschnitt ein.
- 18 Sichern Sie den Lautsprecher mit den mitgelieferten Schrauben ③ an der Montagefläche.
HINWEIS: Ziehen Sie die Schrauben nicht zu fest an. Dies gilt besonders dann, wenn die Montagefläche nicht flach ist.
- 19 Bringen Sie bei Bedarf das Gitter an der Vorderseite des Lautsprechers an.

LED-Verkabelung beim Sportmodell

Verbinden der LED-Leitungen mit den Lautsprechern des Sportmodells

HINWEIS: Diese Funktion ist nur bei Lautsprechern des Sportmodells verfügbar.

Die Farbe der LEDs lässt sich mittels der Polarität der LED-Leitungen steuern.

- 1 Lösen Sie mit dem Inbusschlüssel die Schrauben am Kabelschuh auf der Rückseite des Lautsprechers.
- 2 Verbinden Sie die schwarze und die rote Leitung entsprechend Ihrer bevorzugten LED-Farbe mit dem Anschluss.

Blaue LED	Schwarz zum Minuspol (-) Rot zum Pluspol (+)
Weißer LED	Schwarz zum Pluspol (+) Rot zum Minuspol (-)

- 3 Ziehen Sie mit dem Inbusschlüssel die Schrauben am Kabelschuh an.
- 4 Drücken Sie die Leitung in eine Halteklammer, um den auf die Leitung ausgeübten Druck zu verringern.

Verbinden der LED-Leitungen der Lautsprecher des Sportmodells mit der Stromversorgung

HINWEIS: Diese Funktion ist nur bei Lautsprechern des Sportmodells verfügbar.

Alle 12-V-Gleichspannungskabelverbindungen mit den LEDs erfordern eine 3-A-Sicherung am Kabelende zur Stromversorgung. Die rote Stromleitung (+) wird über einen Trennschalter oder Unterbrecher mit einer 12-V-Gleichspannungsquelle verbunden, um die LEDs am Lautsprecher ein- und auszuschalten. Sie können denselben Trennschalter oder Unterbrecher

verwenden, der die Stromversorgung zum Radio regelt. So lassen sich die LEDs und das Radio gleichzeitig ein- und ausschalten.

Wenn die im Lieferumfang der Lautsprecher enthaltenen roten und schwarzen Leitungen verlängert werden müssen, verwenden Sie Leitungen mit einer Stärke von mindestens 0,5 mm² (AWG 20).

- 1 Führen Sie die rote Stromleitung (+) und die schwarze Masseleitung (-) zur Batterie und zum Lautsprecher.
- 2 Verbinden Sie die schwarze Leitung mit dem Minuspol (-) der Batterie.
- 3 Verbinden Sie die rote Leitung über eine 3-A-Sicherung und einen Trennschalter bzw. Unterbrecher mit dem Pluspol (+).

Befestigen des Gitters an Lautsprechern des klassischen Modells

HINWEIS: Diese Funktion ist nur bei Lautsprechern des klassischen Modells verfügbar.

- 1 Montieren Sie zunächst die Lautsprecher. Halten Sie das Gitter dann so, dass sich das FUSION Logo unten befindet (6-Uhr-Position).
- 2 Drehen Sie das Gitter ca. 10° gegen den Uhrzeigersinn. Das FUSION Logo ist jetzt an der 5-Uhr-Position.
- 3 Setzen Sie das Gitter auf den Rand des Lautsprechers.
- 4 Drehen Sie das Gitter im Uhrzeigersinn, um es sicher zu befestigen.

Lautsprecherinformationen

True-Marine Produkte

True-Marine Produkte werden strengen Umweltprüfungen unter harten marinen Bedingungen unterzogen, um Branchenrichtlinien für Marineprodukte zu übertreffen.

Produkte mit dem True-Marine Qualitätsstempel wurden mit Blick auf eine einfache Bedienung entwickelt und weisen fortschrittliche Marinetechologien auf, um im Bereich der Schifffahrt optimale Unterhaltung zu bieten. Alle True-Marine Produkte haben eine weltweite, eingeschränkte dreijährige FUSION Garantie.

Optionaler LED-Spannungsregler

Sie können mit einem LED-Spannungsregler (optionales Zubehör, SG-VREGLED) die Batteriespannungsversorgung zu den LEDs regeln. Verwenden Sie den Spannungsregler, wenn sich die Helligkeit beim Betrieb des Motors, beim Laden oder beim Betrieb nur mit Batterie ändern. Der Spannungsregler kann die LEDs von bis zu zehn Lautsprechern oder Subwoofern der Signature Series betreiben, beispielsweise vier Lautsprecherpaare und zwei Subwoofer.

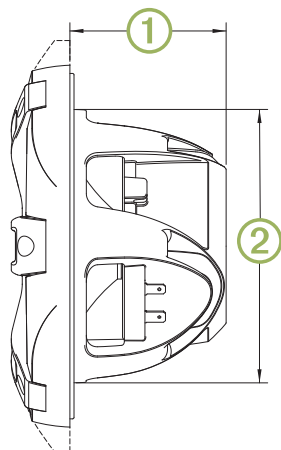
Registrieren des Signature Series

Helfen Sie uns, unseren Service weiter zu verbessern, und füllen Sie die Online-Registrierung noch heute aus.

- Rufen Sie die Website www.fusionentertainment.com auf.
- Bewahren Sie die Originalquittung oder eine Kopie an einem sicheren Ort auf.

Darstellung der Abmessungen

Seitenansicht der Signature Series

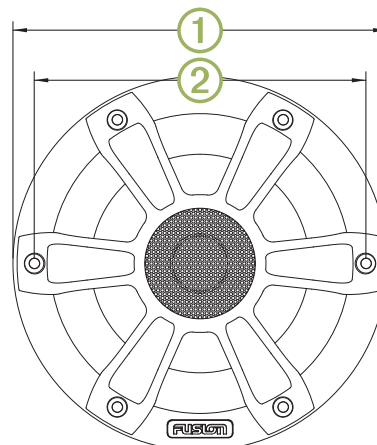


Abmessungen	6,5-Zoll-Lautsprecher	7,7-Zoll-Lautsprecher	8,8-Zoll-Lautsprecher
①	76 mm (3,0 Zoll)	82,5 mm (3,25 Zoll)	102,5 mm (4,05 Zoll)
②	133 mm (5,25 Zoll)	153 mm (6 Zoll)	184,9 mm (7,28 Zoll)

In der Darstellung ist ein Lautsprecher des Sportmodells abgebildet. Die Abmessungen sind jedoch mit denen eines Lautsprechers des klassischen Modells identisch.

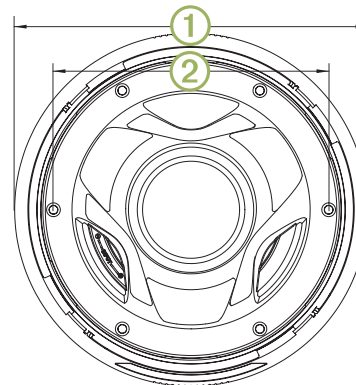
HINWEIS: Zusätzlich zur Tiefe des Lautsprechers müssen mindestens 3 mm (0,15 Zoll) Freiraum vorhanden sein.

Vorderansicht des Sportmodells



Abmessungen	6,5-Zoll-Lautsprecher	7,7-Zoll-Lautsprecher	8,8-Zoll-Lautsprecher
①	176 mm (6,93 Zoll)	196 mm (7,69 Zoll)	224 mm (8,8 Zoll)
②	156 mm (6,13 Zoll)	176 mm (6,94 Zoll)	202 mm (7,95 Zoll)

Rückansicht des klassischen Modells



Abmessungen	6,5-Zoll-Lautsprecher	7,7-Zoll-Lautsprecher	8,8-Zoll-Lautsprecher
①	200 mm (7,88 Zoll)	220 mm (8,69 Zoll)	247 mm (9,72 Zoll)
②	156 mm (6,13 Zoll)	176 mm (6,94 Zoll)	202 mm (7,95 Zoll)

Reinigen der Lautsprecher

HINWEIS: Bei ordnungsgemäßer Montage entsprechen diese Lautsprecher der Schutzklasse IP65 für den Schutz vor den harten Bedingungen auf See auf der Vorderseite des Lautsprechers. Sie widerstehen keinem Hochdruckspritzwasser, wie es beispielsweise beim Reinigen des Schiffs auftreten kann. Seien Sie beim Reinigen des Schiffs mit Spritzwasser vorsichtig. Andernfalls kann es zu Schäden am Produkt und zum Erlöschen der Garantie kommen.

HINWEIS

Verwenden Sie an den Lautsprechern keine scharfen oder lösemittelhaltigen Reinigungsmittel. Die Verwendung derartiger Reinigungsmittel kann zur Beschädigung des Produkts und zum Erlöschen der Garantie führen.

- 1 Entfernen Sie Salzwasser und Salzurückstände am Lautsprechergitter mit einem Tuch, das mit klarem Wasser befeuchtet wurde.
- 2 Verwenden Sie ein mildes Reinigungsmittel, um starke Salzurückstände oder Flecken zu entfernen.

Fehlerbehebung

Bevor Sie sich mit einem FUSION Händler oder Service-Center in Verbindung setzen, führen Sie die hier beschriebenen einfachen Schritte zur Fehlerbehebung durch, um die Fehlerdiagnose zu erleichtern.

Wenn der FUSION Lautsprecher von Fachpersonal installiert wurde, wenden Sie sich an das entsprechende Installationsunternehmen, damit sich ein Techniker das Problem ansehen und eine mögliche Lösung vorschlagen kann.

Die Lautsprecher geben keinen Ton aus

- Vergewissern Sie sich, dass alle Verbindungen vom Quellgerät und/oder vom Verstärker ordnungsgemäß mit den Lautsprecheranschlüssen verbunden sind.

Das System gibt keine Bässe oder hohen Frequenzen wieder

- Vergewissern Sie sich, dass die Polarität der Leitung zwischen der Quelle und den Lautsprechern richtig ist.

Die positiven Leitungen müssen mit dem positiven Anschluss und die negativen Leitungen mit dem negativen Anschluss verbunden sein.

- Vergewissern Sie sich, dass die Lautsprecher sicher an der Montagefläche befestigt sind.

Der Ton ist verzerrt

- Vergewissern Sie sich, dass die Lautstärke der Quelle nicht zu laut für die Lautsprecher ist, und verringern Sie die Lautstärke bei Bedarf.
- Vergewissern Sie sich, dass die Konsolen um den Lautsprecher auf dem Schiff nicht klappern.
- Vergewissern Sie sich, dass das Quellgerät und/oder der Verstärker ordnungsgemäß mit den Lautsprecheranschlüssen verbunden sind.
- Wenn der Lautsprecher mit einem Verstärker verbunden ist, stellen Sie sicher, dass der Eingangspegel des Verstärkers dem Ausgabepegel des Radios entspricht. Weitere Informationen finden Sie im Handbuch des Verstärkers.

Die LEDs gehen nicht an

- Vergewissern Sie sich, dass die Verkabelung überall korrekt und sicher befestigt ist.

Die LEDs pulsieren bei den Basstönen der Musik

- Installieren Sie einen FUSION LED-Spannungsregler (SG-VREGLED).

Technische Daten

Angabe	6,5-Zoll-Lautsprecher	7,7-Zoll-Lautsprecher	8,8-Zoll-Lautsprecher
Maximale Leistung (Watt)	230 W	280 W	330 W
Effektive Leistung (Watt)	75 W	100 W	130 W
Wirkungsgrad (1 W/1 m)	90 dB	91 dB	91 dB
Frequenzgang (+ 3 dB)	70 Hz bis 22 kHz	60 Hz bis 22 kHz	50 Hz bis 20 kHz
Min. Montagetiefe (Freiraum)	79 mm (3,11 Zoll)	86 mm (3,39 Zoll)	105,5 mm (4,15 Zoll)
Montagedurchmesser (Freiraum)	136 mm (5,35 Zoll)	156 mm (6,12 Zoll)	188 mm (7,4 Zoll)
Impedanz	4 Ohm		
LED-Stromversorgung (nur Lautsprecher des Sportmodells)	10,8 bis 16 V Gleichspannung		
LED-Laststrom bei 14,4 V Gleichspannung (nur Lautsprecher des Sportmodells)	150 mA		
Betriebstemperaturbereich	0 °C bis 50 °C (32 °F bis 122 °F)		
Lagertemperaturbereich	-20 °C bis 70 °C (-4 °F bis 158 °F)		
Art des Hochtöners	Seidenkalotte		

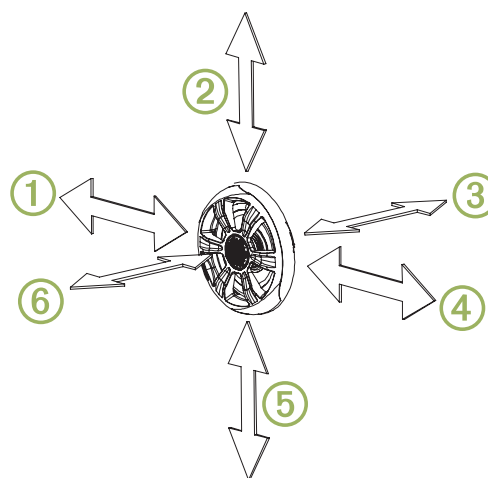
Sicherheitsabstände zum Kompass

Alle Lautsprecher enthalten Magneten, die zu Störungen von Instrumenten an Bord führen können. Es hängt von der Größe des Magneten im Lautsprecher ab, wie stark die vom Lautsprecher evtl. verursachten Störungen sind.

Störungen können zu Abweichungen und Missweisungen bei den Messwerten empfindlicher Navigationsgeräte wie Magnetkompassen führen. Diese Abweichungen können ungenaue oder versetzte Messwerte hervorrufen, beschädigen die Geräte jedoch nicht. Verringern Sie die Abweichungen, indem Sie den Kompass entsprechend den Anweisungen des Herstellers für die Abweichung anpassen oder den Lautsprecher aus der Nähe von Navigationsgeräten entfernen. Nachdem Sie eine Störquelle beseitigt haben, müssen Sie den Kompass ggf. neu kalibrieren.

Wenn Sie für die Navigation ausschließlich einen Magnetkompass verwenden, müssen Sie unbedingt darauf achten, einen ausreichenden Abstand zwischen Lautsprecher und Kompass einzuhalten, damit es nicht zu Abweichungen der Messwerte kommt.

Vermeiden Sie Abweichungen der Navigationsgeräte, indem Sie die Lautsprecher so positionieren, dass mindestens der in der folgenden Tabelle aufgeführte Abstand zu Navigationsgeräten eingehalten wird.



Richtung vom Lautsprecher	6,5-Zoll-Lautsprecher	7,7-Zoll-Lautsprecher	8,8-Zoll-Lautsprecher
①	181 cm (5,94 Fuß)	193 cm (6,33 Fuß)	171 cm (5,61 Fuß)
②	198 cm (6,49 Fuß)	224 cm (7,35 Fuß)	171 cm (5,61 Fuß)
③	310 cm (10,17 Fuß)	358 cm (11,75 Fuß)	412 cm (13,52 Fuß)
④	153 cm (5,02 Fuß)	175 cm (5,74 Fuß)	173 cm (5,68 Fuß)
⑤	160 cm (5,24 Fuß)	198 cm (6,5 Fuß)	178 cm (5,84 Fuß)
⑥	310 cm (10,17 Fuß)	333 cm (10,93 Fuß)	318 cm (10,43 Fuß)

Empfehlungen zur Nennleistung des Verstärkers

6,5-Zoll-Lautsprecher	30 bis 90 W (eff.), Musikwiedergabe
7,7-Zoll-Lautsprecher	25 bis 120 W (eff.), Musikwiedergabe
8,8-Zoll-Lautsprecher	25 bis 140 W (eff.), Musikwiedergabe

Empfehlungen für ein optimales Gehäuse

Angabe	6,5-Zoll-Lautsprecher	7,7-Zoll-Lautsprecher	8,8-Zoll-Lautsprecher
Volumen eines geschlossenen Gehäuses*	18 l (0,64 ft ³)	20 l (0,71 ft ³)	22 l (0,78 ft ³)
Volumen eines Bassreflexgehäuses**	25 l (0,88 ft ³)	30 l (1,06 ft ³)	35 l (1,23 ft ³)
Durchmesser der Öffnung	76 mm (3 Zoll)	76 mm (3 Zoll)	76 mm (3 Zoll)
Länge der Öffnung	162 mm (6,4 Zoll)	160 mm (6,3 Zoll)	170 mm (6,7 Zoll)

* Vollständig mit absorbierendem Material ausgekleidet

** Mit absorbierendem Material ausgekleidet

Instrucciones de instalación de los altavoces de la Signature Series

Información importante sobre seguridad

⚠ ADVERTENCIA

El incumplimiento de las advertencias y precauciones que se indican puede derivar en daños personales o en la embarcación, así como en un rendimiento deficiente del producto.

Consulta la guía *Información importante sobre el producto y tu seguridad* que se incluye en la caja del producto y en la que encontrarás advertencias e información importante sobre el producto.

El dispositivo debe instalarse de acuerdo con estas instrucciones.

Desconecta el suministro de alimentación de la embarcación antes de iniciar la instalación del producto.

⚠ ATENCIÓN

Los sistemas de audio pueden generar niveles de presión acústica superiores a los 135 dB. La exposición constante a niveles de presión acústica superiores a los 100 dB puede provocar la pérdida permanente de la audición. Si no puedes escuchar a la gente que te rodea, es probable que el volumen sea demasiado alto. Limita la cantidad de tiempo que escuchas el dispositivo con un volumen elevado. Si notas pitidos en el oído o escuchas las voces apagadas, deja de escuchar el dispositivo y acude a tu médico.

Utiliza siempre gafas de seguridad, un protector de oídos y una máscara antipolvo cuando vayas a realizar orificios, cortes o lijados.

AVISO

Al realizar orificios o cortes, comprueba siempre lo que hay al otro lado de la superficie.

Te recomendamos que la instalación del sistema de audio corra a cargo de un instalador profesional con el fin de garantizar un rendimiento óptimo.

Debes leer todas las instrucciones de instalación antes de proceder. Si tienes dificultades durante la instalación, visita www.fusionentertainment.com para obtener asistencia técnica.

Contenido de la caja

- 2 altavoces
- 2 cables para altavoz estañados preconectorizados (6 m)
- 12 tornillos de montaje Phillips de acero inoxidable de 4,2 mm x 38 mm (calibre 8 x 1,5 in)
- Plantillas de montaje
- 2 juntas de montaje de espuma
- 2 rejillas (solo en modelos Clásico)
- 2 cables de conexión LED estañados (6 m) (solo en modelos Deportivo)
- Llave allen (solo en modelos Deportivo)

Herramientas necesarias

- Taladro eléctrico
- Broca (el tamaño varía en función del material de la superficie)
- Destornillador Phillips
- Peladores de cables
- Herramienta de crimpado
- Cinta para aplicaciones eléctricas
- Sierra o cuchillo de uso general aptos para cortar el material de la superficie
- Sellador marino (opcional)

NOTA: para instalaciones hechas a medida, es posible que se necesiten herramientas y materiales adicionales.

Especificaciones de montaje

La elección de la ubicación de montaje correcta es esencial para optimizar el rendimiento de los altavoces. Los altavoces FUSION están diseñados para ofrecer el mejor rendimiento en el mayor número posible de superficies de

montaje; no obstante, cuanto mejor planifiques la instalación, mayor será la calidad de sonido de los altavoces.

- Para obtener el mejor rendimiento, los altavoces no deben instalarse en la parte inferior de la embarcación. El sonido se propaga en la dirección en la que están orientados los altavoces. Si estos se instalan en una posición baja, la calidad del sonido y el volumen no serán los ideales.
- Si vas a instalar los altavoces en el exterior de la embarcación, deberán montarse en una ubicación considerablemente superior al nivel del agua, de forma que no queden sumergidos. Deben instalarse en una zona en la que no resulten dañados por los efectos de muelles, pilotes u otras instalaciones. Cuando están montados correctamente, estos altavoces cuentan con un grado de protección IP65 frente a las duras condiciones marinas en la parte frontal del altavoz. En caso de que la parte posterior del altavoz entre en contacto con el agua y resulte dañada, se anulará la garantía. Esto puede ocurrir aunque esté instalado en una caja sellada, en particular si está expuesto a la erosión del agua. Es posible que se acumule agua en la caja a través de la ventana o abertura, lo que provocará daños en el altavoz.
- Los altavoces deben instalarse en una ubicación que te permita escuchar el sonido procedente de ambos dispositivos desde distintos ángulos, a fin de obtener la máxima definición. Para ello, los altavoces no deben instalarse uno junto al otro.
- Para un mejor rendimiento de los graves, ambos altavoces deben instalarse en una zona en la que quede suficiente espacio tras ellos. Si el espacio es demasiado reducido, la calidad de los graves se verá limitada, y si es demasiado amplio, también afectará al rendimiento. Si se sitúa el altavoz cerca de una zona abierta (en la que el sonido procedente de la parte posterior del altavoz cuente con una trayectoria muy pequeña para competir con el sonido de la parte frontal del altavoz), se generarán menos graves.
- Siempre que sea posible, el espacio detrás de cada altavoz debe estar cerrado.
- Los altavoces deben instalarse en una ubicación con suficiente espacio, en función de la profundidad de montaje de los altavoces que se indica en las especificaciones del producto.
- Si un altavoz no está expuesto a elementos externos, se puede obtener un mejor rendimiento de graves utilizando una caja reflectora de graves. Consulta las recomendaciones para seleccionar un diseño de caja óptimo. Estas recomendaciones indican únicamente el volumen; para la opción de caja reflectora de graves, también se especifica el tamaño de ventana y la longitud óptimos.
- Debes elegir una superficie de montaje plana para que el espacio sea lo más hermético posible.
- Debes mantener los cables de los altavoces lejos de objetos afilados y utilizar siempre arandelas de goma al pasar los cables a través de los paneles.
- La ubicación de montaje no debe estar expuesta a posibles obstáculos, como pueden ser conductos hidráulicos o de combustible, o cables.
- Debes proteger todos los terminales y conexiones frente a cortocircuitos y evitar que entren en contacto entre ellos. De lo contrario, el sistema de audio podría dañarse de forma permanente y la garantía del producto se anularía.
- Para evitar interferencias con un compás magnético, los altavoces deben instalarse respetando la distancia de seguridad mínima del compás indicada en las especificaciones del producto.
- El sistema de audio debe apagarse antes de realizar cualquier conexión con la unidad de origen, el amplificador o los altavoces. De lo contrario, el sistema de audio podría dañarse de forma permanente.

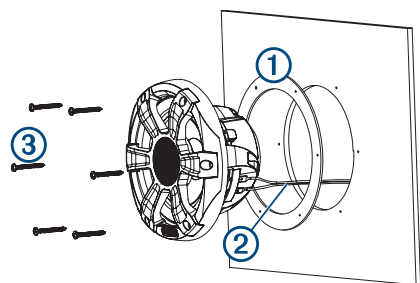
Instalar los altavoces

Antes de proceder a la instalación de los altavoces, debes elegir una ubicación que cuente con suficiente espacio libre en la parte posterior. Consulta las especificaciones para obtener información sobre el espacio libre.

Antes de montar los altavoces, debes elegir una ubicación que cumpla las directrices anteriores.

- 1 Lleva los cables desde la ubicación de origen hasta los altavoces, lejos de fuentes de interferencias eléctricas.

- 2 Recorta la plantilla y asegúrate de que encaja en la ubicación en la que deseas montar el sistema.
- 3 Coloca la plantilla de modo que el logotipo de FUSION quede en la parte inferior de la misma.
- 4 Fija la plantilla en la ubicación seleccionada.
- 5 Con una broca adecuada para la superficie de montaje, perfora un orificio en la parte interior de la línea discontinua de la plantilla con objeto de preparar la superficie de montaje para el corte.
- 6 Con una herramienta giratoria o una sierra de calar, corta la superficie de montaje a lo largo de la parte interior de la línea indicada en la plantilla.
- 7 Coloca el altavoz en la pieza recortada para comprobar si cabe.
- 8 Si es necesario, pule el tamaño de la pieza recortada con una lima y papel de lija.
- 9 Tras comprobar que el altavoz encaja en la pieza recortada, asegúrate de que los orificios de montaje de este quedan alineados con los orificios guía de la plantilla.
- 10 Si no quedan alineados, marca nuevas ubicaciones para los orificios.
- 11 Perfora los orificios utilizando un tamaño de broca adecuado para la superficie de montaje y el tipo de tornillo.
- 12 Retira la plantilla de la superficie de montaje.
- 13 Coloca la junta suministrada ① en la parte posterior del altavoz, de forma que los orificios de la junta y los del altavoz coincidan.



- 14 Conecta los cables del altavoz ② teniendo en cuenta la polaridad.
 - 15 Introduce el cable en una pinza de retención para reducir la tensión.
 - 16 Si es necesario, conecta los cables de las luces LED (consulta la sección siguiente).
 - 17 Coloca el altavoz en la pieza recortada.
 - 18 Fija el altavoz a la superficie de montaje con los tornillos suministrados ③.
- NOTA:** no aprietes los tornillos en exceso, especialmente si la superficie de montaje no es plana.
- 19 Si es necesario, fija la rejilla a la parte frontal del altavoz.

Cableado de las luces LED en el modelo Deportivo

Conexión de los cables de las luces LED a altavoces del modelo Deportivo

NOTA: esta función solo está disponible en altavoces del modelo Deportivo. Puedes controlar el color de los LED mediante la polaridad de los cables de las luces LED.

- 1 Utiliza la llave hexagonal para aflojar los tornillos de los terminales de cableado de la parte posterior del altavoz.
- 2 Conecta los cables negro y rojo al terminal en función del color de LED que desees.

LED azul	Negro a terminal negativo (-) Rojo a terminal positivo (+)
LED blanco	Negro a terminal positivo (+) Rojo a terminal negativo (-)

- 3 Utiliza la llave hexagonal para apretar los tornillos de los terminales de cableado.
- 4 Introduce el cable en una pinza de retención para reducir la tensión.

Conectar los cables de las luces LED de altavoces del modelo Deportivo a la alimentación

NOTA: esta función solo está disponible en altavoces del modelo Deportivo.

Todos los cables de 12 V de CC de las luces LED deben contar con un fusible de 3 A en el extremo de la fuente de alimentación del cable. El cable de alimentación rojo (+) debe conectarse a una fuente de 12 V de CC mediante un interruptor de aislamiento o un disyuntor para que los LED del altavoz se enciendan y se apaguen. Puedes utilizar el mismo interruptor de aislamiento o disyuntor para controlar el suministro de alimentación al sistema estéreo, lo que permitirá que los LED y el sistema estéreo se enciendan y apaguen a la vez.

Si es necesario alargar los cables rojo y negro suministrados con los altavoces, debes utilizar un cable de 0,5 mm² (20 AWG) o de un grosor superior.

- 1 Lleva el cable de alimentación rojo (+) y el cable de tierra negro (-) hacia la batería y el altavoz.
- 2 Conecta el cable negro al terminal negativo (-) de la batería.
- 3 Conecta el cable rojo al terminal positivo (+) mediante un fusible de 3 A y un interruptor de aislamiento o disyuntor.

Montar la rejilla en altavoces del modelo Clásico

NOTA: esta función solo está disponible en altavoces del modelo Clásico.

- 1 Una vez instalados los altavoces, sostén la rejilla de forma que el logotipo de FUSION quede en la parte inferior o en la posición de las 6 en punto.
- 2 Gira la rejilla en sentido contrario a las agujas del reloj unos 10°, de forma que el logotipo de FUSION quede en la posición de las 5 en punto.
- 3 Coloca la rejilla en el borde del altavoz.
- 4 Gírala en el sentido de las agujas del reloj para fijarla.

Información sobre los altavoces

True-MarineProductos

Los productos True-Marine se someten a rigurosas pruebas medioambientales bajo duras condiciones marinas con el fin de cumplir con la normativa del sector para productos náuticos.

Los productos que cuentan con el sello de garantía True-Marine se han diseñado para proporcionar facilidad de uso y combinan tecnologías náuticas avanzadas con el objetivo de ofrecer una experiencia de entretenimiento líder en el sector. Todos los productos True-Marine cuentan con la garantía limitada de 3 años de FUSION para usuarios en cualquier parte del mundo.

Regulador de tensión LED opcional

Puedes utilizar un regulador de tensión LED (accesorio opcional SG-VREGLED) para controlar el suministro de tensión de la batería a las luces LED. Puedes utilizar el regulador de tensión si notas que el nivel de brillo cambia al poner en marcha el motor, durante el proceso de carga o si se está usando solo la alimentación de la batería. El regulador de tensión puede mantener encendidas las luces LED de hasta diez altavoces o subwoofers de la Signature Series; por ejemplo, cuatro pares de altavoces y dos subwoofers.

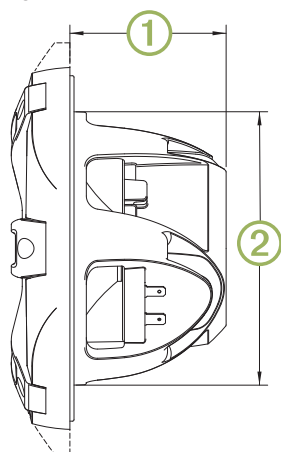
Registro de la unidad Signature Series

Completa hoy mismo el registro en línea y ayúdanos a ofrecerte un mejor servicio.

- Visita www.fusionentertainment.com.
- Guarda la factura original o una fotocopia en un lugar seguro.

Gráficos de dimensiones

Vista lateral de altavoces Signature Series

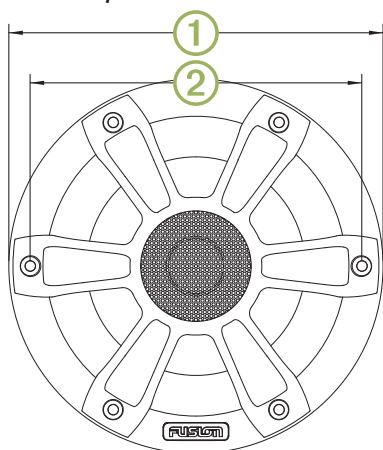


Dimensión	Altavoces de 6,5"	Altavoces de 7,7"	Altavoces de 8,8"
①	76 mm (3 in)	82,5 mm (3,25 in)	102,5 mm (4,05 in)
②	133 mm (5,25 in)	153 mm (6 in)	184,9 mm (7,28 in)

Se muestra un altavoz del modelo Deportivo, sin embargo, las dimensiones son las mismas para altavoces del modelo Clásico.

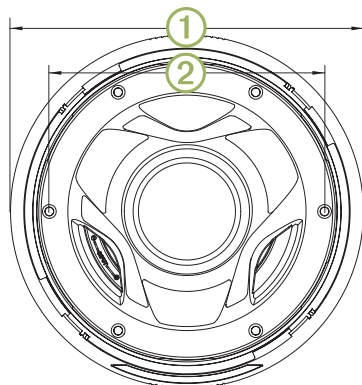
NOTA: debes dejar un espacio libre de al menos 3 mm (0,15 in) con respecto a la profundidad del altavoz.

Vista frontal del modelo Deportivo



Dimensión	Altavoces de 6,5"	Altavoces de 7,7"	Altavoces de 8,8"
①	176 mm (6,93 in)	196 mm (7,69 in)	224 mm (8,8 in)
②	156 mm (6,13 in)	176 mm (6,94 in)	202 mm (7,95 in)

Vista posterior del modelo Clásico



Dimensión	Altavoces de 6,5"	Altavoces de 7,7"	Altavoces de 8,8"
①	200 mm (7,88 in)	220 mm (8,69 in)	247 mm (9,72 in)
②	156 mm (6,13 in)	176 mm (6,94 in)	202 mm (7,95 in)

Limpiar los altavoces

NOTA: cuando están montados correctamente, estos altavoces cuentan con un grado de protección IP65 frente a las duras condiciones marinas en la parte frontal del altavoz. No están diseñados para soportar pulverizaciones de agua a altas presiones, que pueden tener lugar durante la limpieza de la embarcación. En caso de que la embarcación no se limpie correctamente mediante pulverización, se podría dañar el producto, con lo que la garantía quedaría anulada.

AVISO

No utilices productos de limpieza agresivos o a base de disolventes en los altavoces. El uso de estos productos podría dañar el producto y anular la garantía.

- 1 Elimina el agua salada y cualquier resto de sal de la rejilla del altavoz con un paño humedecido en agua dulce.
- 2 Utiliza un detergente suave para eliminar grandes acumulaciones de sal o manchas.

Solución de problemas

Antes de ponerte en contacto con tu distribuidor o centro de servicio de FUSION, te recomendamos que sigas estos sencillos pasos, que pueden ayudarte a identificar y solucionar el problema.

Si la instalación del altavoz FUSION se ha llevado a cabo por parte de una empresa de instalación profesional, debes ponerte en contacto con ella para que los técnicos puedan evaluar el problema y aconsejarte sobre las posibles soluciones.

Los altavoces no emiten ningún sonido

- Comprueba que todas las conexiones del dispositivo de origen o el amplificador a los terminales del altavoz se han realizado correctamente.

El sistema no reproduce los graves o los agudos

- Comprueba que se ha tenido en cuenta la polaridad de los cables al realizar la conexión entre el dispositivo de origen y los altavoces. El cable positivo debe conectarse al terminal positivo y el cable negativo al terminal negativo.
- Asegúrate de que los altavoces están fijados con firmeza a la superficie de montaje.

El audio se distorsiona

- Comprueba que el volumen de origen no es demasiado alto para el altavoz y redúcelo si es necesario.
- Comprueba que los paneles que rodean al altavoz en la embarcación no vibran.
- Comprueba que el dispositivo de origen o el amplificador están conectados correctamente a los terminales del altavoz.
- Si el altavoz está conectado a un amplificador, comprueba que el nivel de entrada del amplificador se corresponde con el nivel de salida del sistema estéreo. Para obtener más información, consulta el manual del amplificador.

Las luces LED no se encienden

- Comprueba que las conexiones de todos los cables se han realizado correctamente y no están sueltas.

Las luces LED parpadean con las notas graves de la música

- Instala un regulador de tensión LED FUSION (SG-VREGLED).

Especificaciones

Especificación	Altavoces de 6,5"	Altavoces de 7,7"	Altavoces de 8,8"
Potencia máxima (vatios)	230 W	280 W	330 W
Potencia RMS (vatios)	75 W	100 W	130 W
Eficiencia (1 W/1 m)	90 dB	91 dB	91 dB

Especificación	Altavoces de 6,5"	Altavoces de 7,7"	Altavoces de 8,8"
Respuesta de frecuencia (+ 3 dB)	De 70 Hz a 22 kHz	De 60 Hz a 22 kHz	De 50 Hz a 20 kHz
Profundidad mínima de montaje (espacio libre)	79 mm (3,11 in)	86 mm (3,39 in)	105,5 mm (4,15 in)
Diámetro de montaje (espacio libre)	136 mm (5,35 in)	156 mm (6,12 in)	188 mm (7,4 in)
Impedancia	4 ohmios		
Voltaje de alimentación de las luces LED (solo en altavoces del modelo Deportivo)	De 10,8 a 16 V de CC		
Corriente de carga de las luces LED a 14,4 V de CC (solo en altavoces del modelo Deportivo)	150 mA		
Rango de temperatura de funcionamiento	De 0 °C a 50 °C (de 32 °F a 122 °F)		
Rango de temperatura de almacenamiento	De -20 °C a 70 °C (de -4 °F a 158 °F)		
Tipo de tweeter	Cúpula de seda		

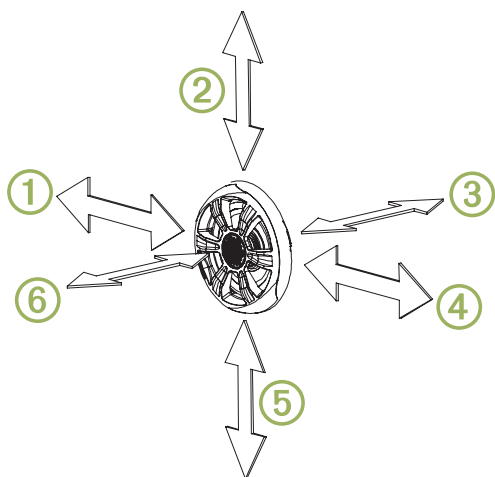
Distancias de seguridad del compás

Todos los altavoces contienen imanes que pueden provocar interferencias con los instrumentos de la embarcación. El nivel de interferencia que el altavoz pueda generar depende del tamaño del imán.

Las interferencias pueden provocar desviaciones y variaciones en la lectura de datos en equipos de navegación sensibles, como compases magnéticos. Si bien estas desviaciones pueden derivar en interpretaciones inexactas o variaciones en la lectura de datos, el equipo no resultará dañado. Para reducirlas, ajusta el compás en función de la desviación siguiendo las instrucciones del fabricante o bien aleja el altavoz del equipo de navegación. Tras mover una fuente de interferencias, es posible que tengas que volver a calibrar el compás.

Si navegas únicamente con la ayuda de un compás magnético, presta especial atención en situar el altavoz lo suficientemente lejos del compás para evitar que se generen desviaciones en las lecturas de datos.

Para evitar desviaciones en el equipo de navegación, coloca los altavoces como mínimo a la distancia que se indica en la siguiente tabla respecto al equipo de navegación.



Dirección respecto al altavoz	Altavoces de 6,5"	Altavoces de 7,7"	Altavoces de 8,8"
①	181 cm (5,94 ft)	193 cm (6,33 ft)	171 cm (5,61 ft)
②	198 cm (6,49 ft)	224 cm (7,35 ft)	171 cm (5,61 ft)
③	310 cm (10,17 ft)	358 cm (11,75 ft)	412 cm (13,52 ft)
④	153 cm (5,02 ft)	175 cm (5,74 ft)	173 cm (5,68 ft)
⑤	160 cm (5,24 ft)	198 cm (6,50 ft)	178 cm (5,84 ft)
⑥	310 cm (10,17 ft)	333 cm (10,93 ft)	318 cm (10,43 ft)

Recomendaciones sobre la potencia nominal del amplificador

Altavoces de 6,5"	De 30 a 90 W RMS (durante la reproducción de música)
Altavoces de 7,7"	De 25 a 120 W RMS (durante la reproducción de música)
Altavoces de 8,8"	De 25 a 140 W RMS (durante la reproducción de música)

Recomendaciones para una caja óptima

Especificación	Altavoces de 6,5"	Altavoces de 7,7"	Altavoces de 8,8"
Volumen de la caja sellada*	18 l (0,64 ft ³)	20 l (0,71 ft ³)	22 l (0,78 ft ³)
Volumen de la caja reflectora de graves**	25 l (0,88 ft ³)	30 l (1,06 ft ³)	35 l (1,23 ft ³)
Diámetro de puerto	76 mm (3 in)	76 mm (3 in)	76 mm (3 in)
Longitud de puerto	162 mm (6,4 in)	160 mm (6,3 in)	170 mm (6,7 in)

* Completamente rellena de material absorbente

** Recubierta con material absorbente

Instruções de instalação dos alto-falantes da Signature Series

Informações importantes sobre segurança

⚠ ATENÇÃO

Caso os avisos e precauções não sejam seguidos, poderão ocorrer lesões corporais, danos à embarcação ou desempenho inadequado do produto.

Consulte o guia *Informações importantes sobre segurança e sobre o produto* na caixa do produto para obter mais detalhes sobre avisos e outras informações importantes.

Este dispositivo deve ser instalado de acordo com estas instruções.

Desconecte a fonte de alimentação da embarcação antes de instalar o produto.

⚠ CUIDADO

Sistemas de áudio podem produzir níveis de pressão sonora superiores a 135 dB. A exposição contínua a níveis de pressão sonora superior a 100 dB pode causar perda permanente da audição. Não ouvir às pessoas falando ao seu redor significa que o volume está muito alto. Limite o tempo de exposição caso deseje ouvir algo com um volume mais alto. Caso escute um zumbido ou som abafado, interrompa o uso e procure um especialista.

Sempre use óculos de segurança, protetores auriculares e uma máscara contra pó ao perfurar, cortar ou lixar.

AVISO

Ao fazer perfurações ou cortes, sempre verifique o que está no lado oposto da superfície.

É altamente recomendável que você tenha o seu sistema de áudio instalado por um profissional para garantir um melhor desempenho.

Leia todas as instruções antes de iniciar a instalação. Se tiver dificuldades durante a instalação, acesse www.fusionentertainment.com para suporte.

Conteúdo da caixa

- 2 alto-falantes
- 2 cabos estanhados e pré-finalizados para alto-falante (6 m)
- 12 chaves Phillips em aço inoxidável, Parafusos de 4.2 mm x 38 mm (8 x 1,5 pol)
- Modelos de montagem
- 2 gaxetas de montagem de espuma
- 2 grades (apenas modelos clássicos)
- 2 cabos estanhados de conexão para LED (6 m) (apenas para modelos esportivos)
- Chave sextavada (apenas para modelos esportivos)

Ferramentas necessárias

- Furadeira elétrica
- Broca (o tamanho varia de acordo com o material da superfície)
- Chave Phillips
- Alicates para desencapar fios
- Ferramenta de corte
- Fita isolante
- Serra adequada ou estilete utilitário para cortar o material da superfície
- Selante marítimo (opcional)

OBSERVAÇÃO: para instalações personalizadas, podem ser necessárias ferramentas e materiais adicionais.

Considerações sobre montagem

Selecionar o local correto de montagem é fundamental para melhorar o desempenho de cada alto-falante. Os alto-falantes FUSION são projetados para serem executados em um maior número possível de locais de montagem, mas quanto mais planejar a instalação, melhor o som dos alto-falantes será.

- Para um melhor desempenho, os alto-falantes não devem ser montados na parte inferior do barco. O som viaja na direção em que os alto-falantes estiverem virados. Quando os alto-falantes são montados na parte inferior, a qualidade e o volume do som não são ideais.
- Caso deseje instalar os alto-falantes na parte externa do barco, eles devem ser instalados em um local acima do nível da água, onde não fiquem submersos. Os alto-falantes devem ser montados em um local onde não serão danificados por docas, estacas ou outras peças de equipamento. Quando montados corretamente, esses alto-falantes são classificados como IP65 em relação à proteção contra o severo ambiente marítimo na parte dianteira do alto-falante. Exposição à água e danos à parte traseira do alto-falante irá anular a garantia. Isso inclui, quando montados em um compartimento vedado, especialmente se estiverem expostos à água. Uma porta ou ventilação pode permitir que a água se acumule no compartimento e danificar o alto-falante.
- Os locais de montagem do alto-falante devem permitir que você ouça o som de ambos os alto-falantes e em diferentes direções, ao mesmo tempo, para conseguir um efeito de sonoro de palco. Para conseguir esse efeito, os alto-falantes geralmente não devem ser montados lado-a-lado.
- Para um melhor desempenho de graves, cada alto-falante deve ser montado em uma área que oferece espaço suficiente atrás do alto-falante. Uma área muito pequena restringe os graves, e uma área muito grande compromete o desempenho dos graves. O posicionamento de um alto-falante perto de uma área aberta (em que o som da parte posterior do alto-falante tem um caminho muito curto para competir com o som da parte dianteira) produz o menos graves.
- Quando possível, a área por trás de cada alto-falante deve ser fechada.
- Os locais de montagem do alto-falante devem dispor de espaço suficiente para a profundidade da montagem dos alto-falantes, como especificado nas especificações do produto.
- Quando um alto-falante não estiver exposto ao ambiente externo, um melhor desempenho de graves pode ser alcançado usando um compartimento que tenha um design ventilado. Veja as recomendações ideais de design do compartimento. Estas recomendações especificam apenas o volume, e para a opção com porta, uma porta com comprimento e tamanho ideais também é fornecida.
- Selecione uma superfície de montagem plana para uma melhor vedação.
- Proteja os fios dos alto-falantes contra objetos pontiagudos e sempre utilize ilhós de borracha ao passar a fiação através dos painéis.
- Evite potenciais obstáculos no local de montagem, como linhas hidráulicas e de combustível fiação.
- Proteja todos os terminais e conexões contra o aterramento e um do outro. Caso contrário, pode resultar em danos permanentes ao sistema de áudio e anular a garantia do produto.
- Para evitar interferência com uma bússola magnética, os alto-falantes não devem ser instalados mais próximos do que o valor de distância de segurança de uma bússola relacionado nas especificações do produto.

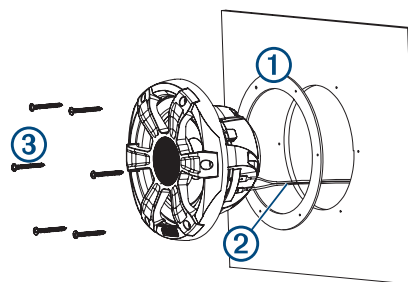
- O sistema de áudio deve ser desligado antes de fazer qualquer conexão à unidade de origem, amplificador ou alto-falantes. Caso contrário, pode resultar em danos permanentes ao sistema de áudio.

Montagem dos alto-falantes

Antes de montar os alto-falantes, escolha um local onde há espaço suficiente na parte traseira da superfície de instalação. Consulte as especificações para obter mais informações sobre as folgas.

Antes de instalar os alto-falantes, escolha o local conforme as diretrizes acima.

- 1 Passe os fios da fonte para alto-falante, longe de fontes de interferência elétrica.
- 2 Ajuste o modelo e certifique-se de estar de acordo com o local selecionado.
- 3 Posicione o modelo com o logotipo FUSION na parte inferior do modelo.
- 4 Prenda o modelo ao local selecionado.
- 5 Com uma broca adequada para a superfície escolhida, faça um furo dentro da linha pontilhada no modelo para preparar a superfície de montagem para o corte.
- 6 Com uma ferramenta giratória ou serra, corte a superfície de montagem ao longo da parte interna da linha indicada no modelo.
- 7 Coloque o alto-falante no corte para testar o ajuste.
- 8 Se necessário, use uma lixa para refinar o tamanho do corte.
- 9 Quando o alto-falante couber corretamente na abertura, certifique-se de que os orifícios de montagem do alto-falante estejam alinhados com os orifícios do piloto no modelo.
- 10 Se os furos de montagem do alto-falante não se alinharem, marque os locais dos novos furos.
- 11 Com uma broca de tamanho apropriado para a superfície de montagem e tipo de parafuso, faça os furos.
- 12 Remova o modelo da superfície de montagem.
- 13 Coloque a gaxeta incluída ① na parte traseira do alto-falante, alinhando os furos na gaxeta com os furos no alto-falante.



- 14 Conecte os fios do alto-falante ② observando a polaridade.
 - 15 Empurre o fio em uma anilha para aliviar a tensão no fio.
 - 16 Se necessário, conecte os fios do LED (veja a seção seguinte).
 - 17 Coloque o alto-falante no corte.
 - 18 Fixe o alto-falante na superfície de montagem usando os parafusos incluídos ③.
- OBSERVAÇÃO:** não aperte os parafusos, especialmente se a superfície de montagem não for plana.
- 19 Se necessário, instale a grade na parte dianteira do alto-falante.

Fiação do modelo LED esportivo

Conexão dos fios de LED nos alto-falantes de modelo esportivo

OBSERVAÇÃO: este recurso está disponível apenas para os alto-falantes de modelo esportivo.

É possível controlar a cor dos LEDs pela polaridade dos fios de LED.

- 1 Com a chave sextavada, solte os parafusos dos terminais da fiação na parte traseira do alto-falante.
- 2 Conecte os fios preto e vermelho no terminal de acordo com a cor de LED preferida.

LED azul	Preto no negativo (-) Vermelho no positivo (+)
LED branco	Preto no positivo (+) Vermelho no negativo (-)

- Com a chave sextavada, aperte os parafusos dos terminais da fiação.
- Empurre o fio em uma anilha para aliviar a tensão no fio.

Conexão dos fios de LED dos alto-falantes de modelo esportivo na alimentação

OBSERVAÇÃO: este recurso está disponível apenas para os alto-falantes de modelo esportivo.

Toda a fiação 12 Vdc dos LEDs deve estar conectada por fusíveis na extremidade da fonte de alimentação do seu cabo usando um fusível 3 A. O cabo de alimentação vermelho (+) deve ser conectado a uma fonte de 12 Vdc através de um interruptor isolador ou um disjuntor para ligar e desligar os LEDs do alto-falante. Você pode usar o mesmo isolador ou disjuntor que controla o fornecimento de energia do seu aparelho de som, o que lhe permite ligar e desligar os LEDs e o aparelho de som ao mesmo tempo.

Se for necessário estender os fios vermelhos e pretos incluídos com os alto-falantes, use um fio 20 AWG (0,5 mm²) ou um fio mais grosso.

- 1 Passe o cabo de alimentação vermelho (+) e o de aterramento preto (-) para a bateria e o alto-falante.
- 2 Conecte o fio preto ao terminal negativo (-) da bateria.
- 3 Conecte o fio vermelho ao terminal positivo (+) através de um fusível 3 A e um interruptor isolador ou disjuntor.

Instalação da grade nos alto-falantes de modelo clássico

OBSERVAÇÃO: este recurso está disponível apenas para os alto-falantes de modelo clássico.

- 1 Com os alto-falantes montados, segure a grade com o logotipo FUSION na parte inferior, ou na posição 6 horas.
- 2 Gire a grade cerca de 10° no sentido anti-horário, de modo que o logotipo FUSION esteja na posição 5 horas.
- 3 Coloque a grade na borda da caixa do alto-falante.
- 4 Gire a grade no sentido horário para fixá-la.

Informações sobre o alto-falante

True-MarineProdutos

Os produtos True-Marine são submetidos a testes ambientais rigorosos em condições marítimas adversas para superar as diretrizes do setor de produtos marinhos.

Qualquer produto que contém o selo de garantia True-Marine foi projetado para uma utilização simplificada e combina tecnologias marinhas avançadas para proporcionar uma experiência de entretenimento líder no setor. Todos os produtos True-Marine são suportados pela garantia limitada de 3 anos da FUSION para clientes do mundo inteiro.

Regulador de tensão para LED opcional

É possível utilizar um regulador de tensão para LED (acessório SG-VREGLED opcional) para regular a tensão da alimentação da bateria para as luzes de LED. É possível utilizar o regulador de tensão, caso observe uma alteração nos níveis de brilho ao ligar o motor, carregar ou usar apenas a energia da bateria. O regulador de tensão pode acionar os LEDs de até dez alto-falantes da Signature Series ou subwoofers; por exemplo, quatro pares de alto-falantes e dois subwoofers.

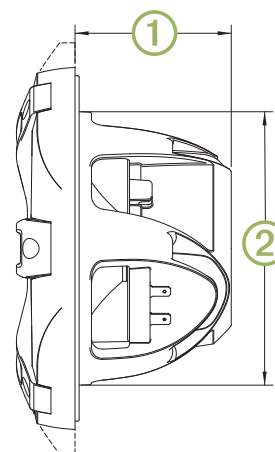
Registro de seu Signature Series

Ajude-nos a atendê-lo melhor completando ainda hoje nosso registro online.

- Acesse www.fusionentertainment.com.
- Mantenha o recibo de venda original ou uma cópia em um local seguro.

Desenhos dimensionais

Visão lateral da série Signature Series

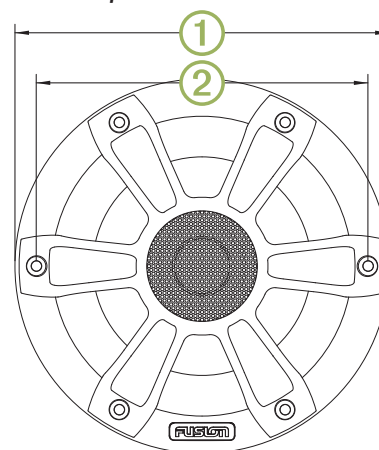


Dimensão	Alto-falantes de 6,5"	Alto-falantes de 7,7"	Alto-falantes de 8,8"
①	76 mm (3,0 pol.)	82,5 mm (3,25 pol.)	102,5 mm (4,05 pol.)
②	133 mm (5,25 pol.)	153 mm (6,0 pol.)	184,9 mm (7,28 pol.)

Um alto-falante de modelo esportivo está sendo exibido, mas as dimensões são as mesmas para o alto-falante de modelo clássico.

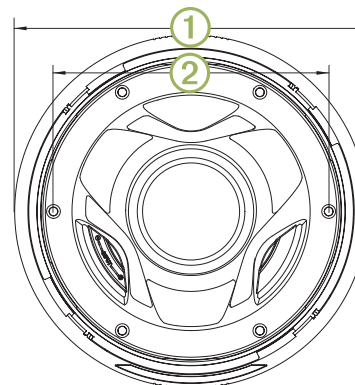
OBSERVAÇÃO: você deve deixar pelo menos 3 mm (0,15 pol.) de distância atrás do alto-falante.

Visão frontal do modelo esportivo



Dimensão	Alto-falantes de 6,5"	Alto-falantes de 7,7"	Alto-falantes de 8,8"
①	176 mm (6,93 pol.)	196 mm (7,69 pol.)	224 mm (8,8 pol.)
②	156 mm (6,13 pol.)	176 mm (6,94 pol.)	202 mm (7,95 pol.)

Visão traseira do modelo clássico



Dimensão	Alto-falantes de 6,5"	Alto-falantes de 7,7"	Alto-falantes de 8,8"
①	200 mm (7,88 pol.)	220 mm (8,69 pol.)	247 mm (9,72 pol.)
②	156 mm (6,13 pol.)	176 mm (6,94 pol.)	202 mm (7,95 pol.)

Limpeza dos alto-falantes

OBSERVAÇÃO: quando montados corretamente, esses alto-falantes são classificados como IP65 em relação à proteção contra o severo ambiente marítimo na parte dianteira do alto-falante. Os alto-falantes não são projetados para suportar jatos de água de alta pressão, o que pode ocorrer ao lavar a sua embarcação. A falta de cuidado ao lavar a embarcação com jato de água pode danificar o produto e anular a garantia.

AVISO

Não use produtos de limpeza abrasivos ou à base de solventes nos alto-falantes. A utilização desses produtos podem danificar o produto e anular a garantia.

- 1 Limpe toda a água salgada e resíduos da grade do alto-falante com um pano úmido.
- 2 Utilize um detergente suave para remover um acúmulo pesado de sal ou manchas.

Solução de problemas

Antes de entrar em contato com o seu revendedor ou centro de serviços da FUSION, execute alguns passos de solução de problemas simples para ajudar a diagnosticar o problema.

Se o alto-falante FUSION foi instalado por uma empresa de instalação profissional, entre em contato com a empresa para que os técnicos possam avaliar o problema e aconselhá-lo sobre as possíveis soluções.

Não há nenhum som saindo dos alto-falantes

- Verifique se todas as conexões do dispositivo de origem e/ou o amplificador estão conectados corretamente aos terminais do alto-falante.

O sistema não tem as frequências graves ou altas

- Verifique se a polaridade dos cabos está correta entre a fonte e os alto-falantes.
Os fios devem estar conectados como positivo com positivo e negativo com negativo.
- Verifique se os alto-falantes estão presos firmemente à superfície de montagem.

O áudio está distorcido

- Verifique se o volume de origem não é demasiadamente alto para o alto-falante e reduza-o se necessário.
- Verifique se os painéis ao redor do alto-falante da embarcação não estão chacoalhando.
- Verifique se o dispositivo de origem e/ou o amplificador estão conectados corretamente aos terminais do alto-falante.
- Se o alto-falante estiver conectado a um amplificador, verifique se o nível de entrada do amplificador corresponde ao nível de saída do som. Para obter mais informações, consulte o manual do amplificador.

As luzes do LED não ascendem

- Verifique se todas as fiações estão corretas e presas.

Os LEDs pulsam com as notas graves da música

- Instale um regulador de tensão para LED FUSION (SG-VREGLED).

Especificações

Especificação	Alto-falantes de 6,5"	Alto-falantes de 7,7"	Alto-falantes de 8,8"
Potência máxima (Watts)	230 W	280 W	330 W
RMS (Watts) de potência	75 W	100 W	130 W
Eficiência (1 W/1 m)	90 dB	91 dB	91 dB
Resposta de frequência (+ 3 dB)	70 Hz a 22 kHz	60 Hz a 22 kHz	50 Hz a 20 kHz

Especificação	Alto-falantes de 6,5"	Alto-falantes de 7,7"	Alto-falantes de 8,8"
Profundidade mínima para montagem (folga)	79 mm (3,11 pol.)	86 mm (3,39 pol.)	105,5 mm (4,15 pol.)
Diâmetro para montagem (folga)	136 mm (5,35 pol.)	156 mm (6,12 pol.)	188 mm (7,4 pol.)
Impedância	4 Ohms		
Tensão de alimentação do LED (apenas para os alto-falantes do modelo esportivo)	De 10,8 a 16 VCC		
Carga do LED atualmente em 14,4 VCC (apenas para os alto-falantes do modelo esportivo)	150 mA		
Intervalo de temperatura de funcionamento	De 0 a 50 °C (de 32 a 122 °F)		
Intervalo de temperatura de armazenamento	De -20 a 70 °C (de -4 a 158 °F)		
Tipo de Tweeter	Cúpula Silk		

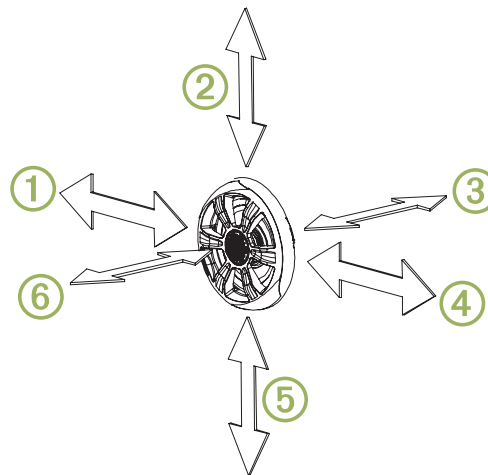
Distâncias seguras da bússola

Todos os alto-falantes contêm ímãs que podem causar interferências com os instrumentos na sua embarcação. O tamanho do ímã usado no alto-falante afeta o nível de interferência que o alto-falante pode causar.

A interferência pode causar desvios e variações em relação à leitura de equipamento de navegação sensível, tal como bússolas magnéticas. Os desvios podem causar imprecisões ou deslocamento nas leituras, sem causar danos ao equipamento. Para diminuir os desvios, ajuste a bússola seguindo as instruções do fabricante ou distancie o alto-falante do equipamento de navegação. Após distanciar a fonte da interferência, pode ser necessário recalibrar a bússola.

Se estiver navegando somente com a ajuda de uma bússola magnética, posicione o alto-falante com distância suficiente da bússola para evitar desvios na leitura.

Para evitar desvios do equipamento de navegação, posicione os alto-falantes para que estejam com a distância mínima do equipamento de navegação listada na tabela abaixo.



Direção do alto-falante	Alto-falantes de 6,5"	Alto-falantes de 7,7"	Alto-falantes de 8,8"
①	181 cm (5,94 pés)	193 cm (6,33 pés)	171 cm (5,61 pés)
②	198 cm (6,49 pés)	224 cm (7,35 pés)	171 cm (5,61 pés)
③	310 cm (10,17 pés)	358 cm (11,75 pés)	412 cm (13,52 pés)
④	153 cm (5,02 pés)	175 cm (5,74 pés)	173 cm (5,68 pés)
⑤	160 cm (5,24 pés)	198 cm (6,50 pés)	178 cm (5,84 pés)
⑥	310 cm (10,17 pés)	333 cm (10,93 pés)	318 cm (10,43 pés)

Recomendações para a classificação da tensão do amplificador

Alto-falantes de 6,5"	De 30 a 90 W RMS, reproduzindo música
Alto-falantes de 7,7"	De 25 a 120 W RMS, reproduzindo música
Alto-falantes de 8,8"	De 25 a 140 W RMS, reproduzindo música

Recomendações de compartimentos ideias

Especificação	Alto-falantes de 6,5"	Alto-falantes de 7,7"	Alto-falantes de 8,8"
Volume do compartimento vedado*	18 l (0,64 pés ³)	20 l (0,71 pés ³)	22 l (0,78 pés ³)
Volume do compartimento com porta (ventilado)**	25 l (0,88 pés ³)	30 l (1,06 pés ³)	35 l (1,23 pés ³)
Diâmetro da porta	76 mm (3 pol)	76 mm (3 pol)	76 mm (3 pol)
Extensão da porta	162 mm (6,4 pol)	160 mm (6,3 pol)	170 mm (6,7 pol)

* Totalmente preenchido com material de absorção

** Forrado com material de absorção

Signature Series luidsprekers - installatie-instructies

Belangrijke veiligheidsinformatie

⚠ WAARSCHUWING

Geen gevolg geven aan deze waarschuwingen en aanbevelingen kan resulteren in persoonlijk letsel, schade aan het vaartuig of slecht functioneren van het product.

Lees de gids *Belangrijke veiligheids- en productinformatie* in de verpakking voor productwaarschuwingen en andere belangrijke informatie.

Dit toestel moet worden geïnstalleerd volgens deze instructies.

Ontkoppel de stroomvoorziening van het vaartuig, voordat u dit product gaat installeren.

⚠ VOORZICHTIG

Audiosystemen kunnen geluidsdrukkniveaus boven 135 dB genereren. Continue blootstelling aan geluidsdrukkniveaus van meer dan 100 dB kan permanente gehoorbeschadiging veroorzaken. Het volume is doorgaans te hoog als u de mensen om u heen niet hoort praten. Beperk de tijd dat u luistert met een hoog volume tot een minimum. Als uw oren suizen of als u spraak alleen gedempt hoort, gebruik het toestel dan niet meer en laat uw gehoor controleren.

Draag altijd een veiligheidsbril, oorbeschermers en een stofmasker tijdens het boren, zagen en schuren.

LET OP

Controleer voordat u gaat boren of zagen wat zich aan de andere kant van het oppervlak bevindt.

Voor optimale prestaties wordt aanbevolen om uw audiosysteem te laten installeren door een professionele installateur.

Lees alle installatie-instructies alvorens de installatie uit te voeren. Als u problemen ondervindt tijdens het installeren, kunt u voor ondersteuning terecht op www.fusionentertainment.com.

Inhoud van de verpakking

- 2 luidsprekers
- 2 vertinde, luidsprekerdraden zonder connector (6 m)
- 12 roestvrijstalen kruiskopmontageschroeven van 4,2 mm x 38 mm (8 gauge x 1,5 inch)
- Montagesjablonen
- 2 schuimrubberen montagepakkingen
- 2 grilles (alleen Klassieke modellen)
- 2 vertinde LED aansluitdraden (6 m) (alleen Sportmodellen)
- Inbussleutel (alleen Sportmodellen)

Benodigd gereedschap

- Elektrische boor
- Boortje (maat afhankelijk van materiaal van ondergrond)
- Kruiskopschroevendraaier
- Draadstriptang
- Krimptang
- Isolatie tape
- Geschikte zaag of een hobbyymes om oppervlaktemateriaal af te zagen of te snijden
- Watervaste kit (optioneel)

OPMERKING: Voor aangepaste installaties zijn mogelijk extra gereedschappen en materialen benodigd.

Aandachtspunten bij de montage

De juiste montageplek kiezen is van essentieel belang voor optimale prestaties van elke luidspreker. FUSION luidsprekers zijn ontworpen om op alle mogelijke montageplaatsen goed te presteren, maar hoe beter u de installatie plant, hoe beter de luidsprekers zullen klinken.

- Plaats de luidsprekers niet te laag in de boot, dit gaat ten koste van de geluidskwaliteit. Geluidsgolven bewegen zich in de richting waarin de luidsprekers zijn geplaatst. Als de luidsprekers laag in de boot zijn gemonteerd, zijn geluidskwaliteit en volume niet ideaal.
- Als u de luidsprekers buiten de boot wilt installeren, moeten ze hoog boven de waterlijn worden geplaatst, zodat ze niet onder water raken. De luidsprekers moeten op een plaats worden geïnstalleerd waar ze niet kunnen worden beschadigd door dokken, palen en andere apparatuur. Als de luidsprekers goed zijn geïnstalleerd, zijn ze beschermd tegen zware omstandigheden op het water volgens beschermingsklasse IP65, vanaf de voorkant van de luidsprekers. Als de achterkant van de luidspreker wordt blootgesteld aan water of beschadigd raakt, vervalt de garantie. Dit geldt ook wanneer ze zijn geplaatst in een afgesloten behuizing, met name wanneer er water langs loopt. Door een poort of ventilatiegat kan water in de behuizing binnendringen en de luidspreker beschadigen.
- De montageplaats van de luidsprekers moet zo worden gekozen dat u tegelijk geluid uit beide luidsprekers en uit verschillende richtingen kunt horen om een opnamestudio-effect te bereiken. Om dit effect te bereiken moeten de luidsprekers doorgaans niet naast elkaar worden geplaatst.
- Om de bastonen te optimaliseren moet elke luidspreker op een plaats worden geïnstalleerd die achter de luidspreker precies voldoende ruimte biedt. Een te kleine ruimte beperkt de bastonen en een te grote ruimte tast de kwaliteit van de bastonen aan. Als de luidspreker dichtbij een open ruimte is geplaatst (waar het geluid uit de achterkant van de luidspreker vrijwel direct wordt overstemd door het geluid uit de voorkant van de luidspreker), zijn de bastonen minimaal.
- De ruimte achter elke luidspreker moet zo mogelijk een afgesloten ruimte zijn.
- De montageplaats van de luidsprekers moet voldoende vrije ruimte bieden voor de montagediepte van de luidsprekers, zoals aangegeven in de productspecificaties.
- Een afgesloten behuizing onderdrukt de bastonen van de luidspreker. In een behuizing die is voorzien van poorten of ventilatiegaten levert de luidspreker qua bastonen betere prestaties. Lees de aanbevelingen voor een optimaal ontworpen behuizing. In deze aanbevelingen wordt alleen volume gespecificeerd en worden voor de optionele behuizing met poorten de grootte en lengte van de poorten gespecificeerd.
- Kies voor optimale afdichting een vlak montageoppervlak.
- Bescherm de luidsprekerkabels tegen scherpe voorwerpen en gebruik altijd rubber ringen voor het geleiden van kabels door panelen.
- Zorg dat de montageplaats vrij is van mogelijke obstakels, zoals brandstofleidingen en hydraulische leidingen en bekabeling.
- Zorg dat alle aansluitpunten en aansluitingen niet in contact kunnen komen met de aarding of andere aansluitingen. Door dergelijke kortsluitingen kan het audiosysteem permanent worden beschadigd en kan de productgarantie komen te vervallen.

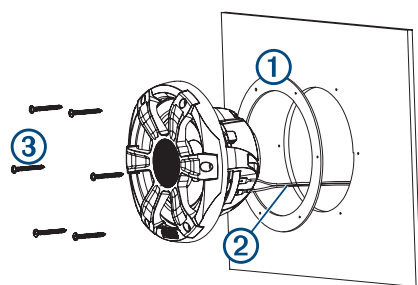
- Teneinde interferentie met een magnetisch kompas te voorkomen, mag het toestel niet dichterbij een kompas worden geïnstalleerd dan op de kompasveilige afstand die is vermeld in de productspecificaties.
- Schakel het audiosysteem uit, voordat u kabels aansluit op de bron, de versterker of de luidsprekers. Als dit niet gebeurt, kan dit permanente beschadiging van het audiosysteem tot gevolg hebben.

De luidsprekers monteren

Kies alvorens de luidsprekers te installeren een montageplaats die achter het montageoppervlak voldoende ruimte biedt. Raadpleeg de specificaties voor informatie over de vrije ruimte.

Kies aan de hand van de bovenstaande richtlijnen eerst een geschikte locatie, alvorens u de luidsprekers installeert.

- 1 Leid de draden van de bron naar de luidsprekerlocatie uit de buurt van bronnen die elektronische interferentie kunnen veroorzaken.
- 2 Snijd de montagesjabloon uit en controleer of deze past op de gekozen locatie.
- 3 Plaats de sjabloon met het FUSION logo aan de onderkant.
- 4 Bevestig de sjabloon op de gekozen locatie.
- 5 Boor met een voor de montageondergrond geschikt boortje een gat aan de binnenkant van de streepjeslijn op de sjabloon om het montageoppervlak voor te bereiden voor zagen.
- 6 Zaag met een slijptol of decoupeerzaag het montageoppervlak uit langs de binnenkant van de streepjeslijn op de sjabloon.
- 7 Plaats de luidspreker in de opening om te testen of dit past.
- 8 Gebruik indien nodig een vijl en schuurpapier om de opening heel precies op maat te krijgen.
- 9 Als de luidspreker goed in de opening past, dient u te controleren of de montagegaten op de luidspreker zijn uitgelijnd met de voorboorgaten op de sjabloon.
- 10 Markeer de locaties van de nieuwe gaten als deze niet zijn uitgelijnd met de montagegaten op de luidspreker.
- 11 Kies een maat boortje dat geschikt is voor het montageoppervlak en type schroef en boor de gaten.
- 12 Verwijder de sjabloon van het montageoppervlak.
- 13 Plaats de meegeleverde pakking ① aan de achterkant van de luidspreker, waarbij u de gaten op de pakking uitlijnt met de gaten op de luidspreker.



- 14 Sluit de luidsprekerdraden aan ② volgens de juiste polariteit.
- 15 Druk de kabel in een klembeugel om de trekspanning op de kabel te verminderen.
- 16 Sluit zo nodig de LED-draden aan (zie de volgende sectie).
- 17 Plaats de luidspreker in de opening.
- 18 Bevestig de luidspreker op het montageoppervlak met de meegeleverde schroeven ③.

OPMERKING: Draai de schroeven niet te strak aan, vooral niet als het montageoppervlak niet vlak is.

- 19 Bevestig indien nodig de grille op de voorkant van de luidspreker.

LED-bedrading Sportmodel

De LED-draden aansluiten op de Sportmodel luidsprekers

OPMERKING: Deze functie is alleen beschikbaar op de Sportmodel luidsprekers.

U kunt de kleur van de LED-lampjes regelen via de polariteit van de LED-draden.

- 1 Draai de schroeven op de aansluitpunten aan de achterkant van de luidspreker los met de inbusleutel.
- 2 Sluit de zwarte en rode draden aan op het aansluitpunt overeenkomstig de gewenste LED-kleur.

Blauw LED	Zwart naar negatieve (-) pool Rood naar positieve (+) pool
Wit LED	Zwart naar positieve (+) pool Rood naar negatieve (-) pool

- 3 Draai de schroeven op de aansluitpunten vast met de inbusleutel.
- 4 Druk de kabel in een klembeugel om de trekspanning op de kabel te verminderen.

De LED-kabels van de Sportmodel luidsprekers aansluiten op de voeding

OPMERKING: Deze functie is alleen beschikbaar op de Sportmodel luidsprekers.

Alle 12 V gelijkstroomkabels naar de LED's dienen aan de kant van de voeding te zijn voorzien van een zekering van 3 ampère. De rode (+) voedingsdraad moet worden aangesloten op een 12 V gelijkstroom voedingsbron via een isolatieschakelaar of stroomverbreker om de LED's van de luidspreker in en uit te schakelen. U kunt dezelfde isolatieschakelaar of stroomverbreker gebruiken die de voeding naar uw stereo regelt, zodat u de LED's en de stereo tegelijk in en uit kunt schakelen.

Als het nodig is om de bij de luidsprekers geleverde rode en zwarte draden te verlengen, dient u verlengdraden met een dikte van minimaal 20 AWG (0,5 mm²) te gebruiken.

- 1 Leid de rode (+) voedingsdraad en de zwarte (-) aarddraad naar de accu en de luidspreker.
- 2 Sluit de zwarte draad aan op de negatieve pool (-) van de accu.
- 3 Sluit de rode draad aan op de positieve (+) pool via een zekering van 3 ampère en een isolatieschakelaar of stroomverbreker.

De grille bevestigen op Klassiek model luidsprekers

OPMERKING: Deze functie is alleen beschikbaar op Klassiek model luidsprekers.

- 1 Pak als de luidsprekers zijn gemonteerd de grille vast met het FUSION logo aan de onderkant of in de 6-uurstand.
- 2 Draai de grille ongeveer 10° linksom, zodat het FUSION logo zich in de 5-uurstand bevindt.
- 3 Plaats de grille op de rand van de luidspreker.
- 4 Draai de grille rechtsonder vast.

Luidsprekergegevens

True-Marine producten

True-Marine producten worden onder zware omstandigheden op het water uitvoerig getest op milieuvriendelijkheid om de milieurielrichtlijnen voor watersportproducten te overtreffen.

Elk product dat het True-Marine kwaliteitskeurmerk draagt is gebaseerd op geavanceerde nautische technologieën en ontworpen om gebruikers optimaal gebruiksgemak en een in de industrie onovertroffen gebruikservaring te bieden. Op alle True-Marine producten is de beperkte, wereldwijde FUSION garantie van 3 jaar voor consumenten van toepassing.

Optionele LED-spanningsregelaar

U kunt een LED-spanningsregelaar (optioneel accessoire SG-VREGLED) gebruiken om de accuspanning op de LED-verlichting te regelen. U kunt de spanningsregelaar gebruiken als u merkt dat de helderheidsniveaus afnemen, wanneer de motor draait, de accu wordt opgeladen of wanneer u alleen accustroom gebruikt. De spanningsregelaar kan de stroomtoevoer regelen naar de LED's op maximaal tien luidsprekers of subwoofers uit de Signature Series; bijvoorbeeld vier paar luidsprekers en twee subwoofers.

Uw Signature Series registreren

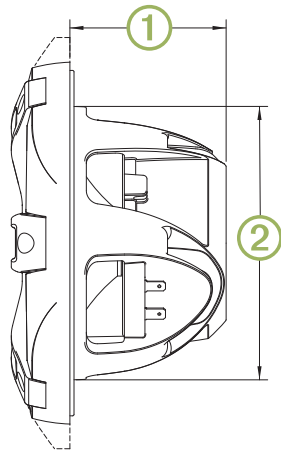
Vul de onlineregistratie vandaag nog in zodat wij u beter kunnen helpen.

- Ga naar www.fusionentertainment.com.

- Bewaar uw originele aankoopbewijs of een fotokopie op een veilige plek.

Afmetingstekeningen

Zijaanzicht Signature Series

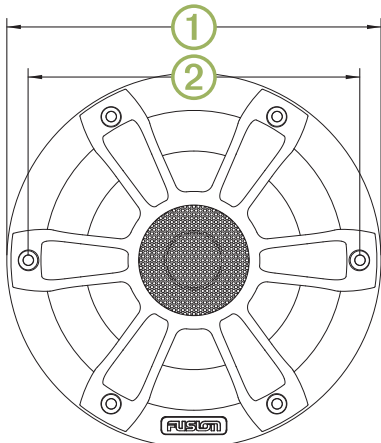


Dimensie	6,5 inch luidsprekers	7,7 inch luidsprekers	8,8 inch luidsprekers
①	76 mm (3,0 in.)	82,5 mm (3,25 in.)	102,5 mm (4,05 in.)
②	133 mm (5,25 in.)	153 mm (6,0 in.)	184,9 mm (7,28 in.)

Een Sportmodel luidspreker is afgebeeld, maar voor het Klassieke model luidspreker gelden dezelfde afmetingen.

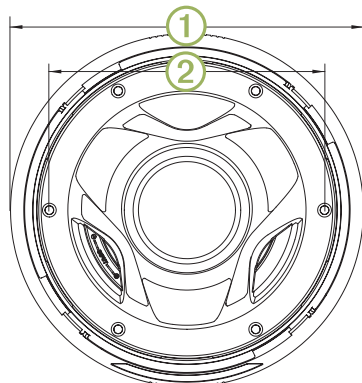
OPMERKING: U hebt ten minste 3 mm (0,15 in.) meer vrije ruimte nodig dan de luidspreker diep is.

Vooraanzicht Sportmodel luidspreker



Dimensie	6,5 inch luidsprekers	7,7 inch luidsprekers	8,8 inch luidsprekers
①	176 mm (6,93 in.)	196 mm (7,69 in.)	224 mm (8,8 in.)
②	156 mm (6,13 in.)	176 mm (6,94 in.)	202 mm (7,95 in.)

Achteraanzicht Klassiek Model



Dimensie	6,5 inch luidsprekers	7,7 inch luidsprekers	8,8 inch luidsprekers
①	200 mm (7,88 in.)	220 mm (8,69 in.)	247 mm (9,72 in.)
②	156 mm (6,13 in.)	176 mm (6,94 in.)	202 mm (7,95 in.)

De luidsprekers reinigen

OPMERKING: Als de luidsprekers goed zijn geïnstalleerd, zijn ze beschermd tegen zware omstandigheden op het water volgens beschermingsklasse IP65, vanaf de voorkant van de luidsprekers. Ze zijn niet bestand tegen reinigen met een hogedrukspuit, bijvoorbeeld wanneer u uw schip schoon spuit. Schoonspuiten van het schip moet voorzichtig gebeuren om te voorkomen dat het product beschadigd wordt en de garantie vervalt.

LET OP

Gebruik op de luidsprekers geen harde reinigings- of oplosmiddelen. Door gebruik van dergelijke reinigingsmiddelen kan het product beschadigd worden en kan de garantie vervallen.

- 1 Verwijder al het zoute water en alle zoutaanslag van de luidsprekergrille met een in zoet water gedrenkte, vochtige doek.
- 2 Gebruik een zacht schoonmaakmiddel om zware aanslag van zout of vlekken te verwijderen.

Problemen oplossen

Probeer als zich een probleem voordoet eerst de oorzaak vast te stellen aan de hand van een paar eenvoudige stappen, voordat u contact opneemt met uw FUSION dealer of servicekantoor.

Als de FUSION luidspreker door een professioneel installatiebedrijf is geïnstalleerd, dient u contact op te nemen met dat bedrijf, zodat de onderhoudstechnici kunnen bepalen wat de aard van het probleem is en u kunnen adviseren over mogelijke oplossingen.

Er komt geen geluid uit de luidsprekers

- Controleer of alle draden van brontoestel en/of versterker naar de aansluitpunten van de luidsprekers correct zijn aangesloten.

Het systeem geeft geen lage of hoge tonen weer

- Controleer of de draden tussen bron en luidsprekers volgens de juiste polariteit zijn aangesloten.
Positief moet op positief en negatief moet op negatief worden aangesloten.
- Controleer of de luidsprekers stevig zijn bevestigd op het montageoppervlak.

De geluidswegge is vervormd

- Ga na dat het bronvolume niet te luid is voor de luidspreker en pas het volume zo nodig aan.
- Controleer of de panelen rondom de luidspreker op de boot niet rammelen.
- Controleer of het brontoestel en/of de versterker correct op de aansluitpunten van de luidspreker zijn aangesloten.
- Controleer, als de luidspreker is aangesloten op een versterker, of het ingangsniveau van de versterker overeenkomt met het uitgangsniveau van de stereo. Raadpleeg de gebruikershandleiding bij de versterker voor meer informatie.

De LED-lampjes branden niet

- Controleer of alle kabels correct zijn aangesloten en stevig zijn bevestigd.

De LED-lampjes knipperen op lage tonen in de muziek

- Installeer een FUSION LED-spanningsregelaar (SG-VREGLED).

Specificaties

Specificatie	6,5 inch luidsprekers	7,7 inch luidsprekers	8,8 inch luidsprekers
Max. vermogen (Watt)	230 W	280 W	330 W
RMS vermogen (Watt)	75 W	100 W	130 W
Efficiëntie (1 W/1 m)	90 dB	91 dB	91 dB
Frequentieweergave (+ 3 dB)	70 Hz tot 22 kHz	60 Hz tot 22 kHz	50 Hz tot 20 kHz

Specificatie	6,5 inch luidsprekers	7,7 inch luidsprekers	8,8 inch luidsprekers
Min. montage diepte (vrije ruimte)	79 mm (3,11 in.)	86 mm (3,39 in.)	105,5 mm (4,15 in.)
Montagediameter (vrije ruimte)	136 mm (5,35 in.)	156 mm (6,12 in.)	188 mm (7,4 in.)
Impedantie	4 Ohm		
LED-voedingsspanning (alleen Sportmodel luidsprekers)	10,8 tot 16 V gelijkstroom		
LED-belastingsstroom bij 14,4 V gelijkstroom (alleen Sportmodel luidsprekers)	150 mA		
Bedrijfstemperatuurbereik	Van 0 tot 50°C (van 32 tot 122°F)		
Bereik opslagtemperatuur	Van -20 tot 70°C (van -4 tot 158°F)		
Tweetertype	Silk dome		

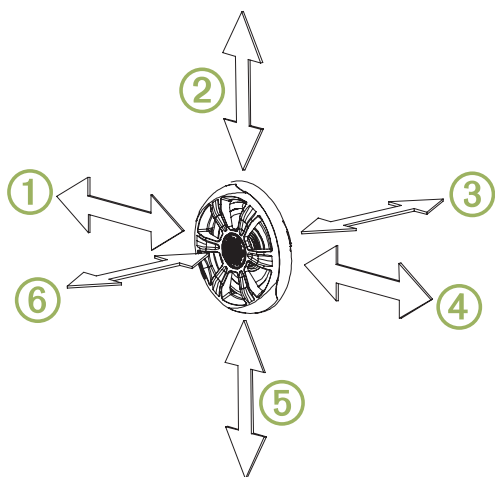
Kompasveilige afstanden

Alle luidsprekers bevatten magneten die interferentie kunnen veroorzaken met instrumenten op uw boot. De grootte van de magneet die wordt gebruikt in de luidspreker is van invloed op de hoeveelheid interferentie die de luidspreker kan veroorzaken.

Interferentie kan leiden tot afwijkingen en variaties in de metingen van gevoelige navigatieapparatuur, zoals magnetische kompassen. Deze afwijkingen kunnen onnauwkeurigheden of correcties in de metingen veroorzaken, maar zijn niet schadelijk voor de apparatuur. Als u de afwijkingen wilt verminderen, past u het kompas voor de afwijking aan met behulp van de instructies van de fabrikant of plaatst u de luidspreker uit de buurt van de navigatieapparatuur. Nadat u een bron van interferentie hebt verplaatst, moet u het kompas mogelijk opnieuw kalibreren.

Als u alleen een magnetisch kompas voor navigatie gebruikt, let er dan extra op dat u de luidspreker ver genoeg uit de buurt van het kompas plaatst om afwijkingen in de metingen te voorkomen.

Om afwijkingen in de navigatieapparatuur te voorkomen, moet u bij het positioneren van de luidsprekers ten opzichte van de navigatieapparatuur ten minste de afstand in de tabel hieronder aanhouden.



Richting van luidspreker	6,5 inch luidsprekers	7,7 inch luidsprekers	8,8 inch luidsprekers
①	181 cm (5,94 ft.)	193 cm (6,33 ft.)	171 cm (5,61 ft.)
②	198 cm (6,49 ft.)	224 cm (7,35 ft.)	171 cm (5,61 ft.)
③	310 cm (10,17 ft.)	358 cm (11,75 ft.)	412 cm (13,52 ft.)
④	153 cm (5,02 ft.)	175 cm (5,74 ft.)	173 cm (5,68 ft.)
⑤	160 cm (5,24 ft.)	198 cm (6,50 ft.)	178 cm (5,84 ft.)
⑥	310 cm (10,17 ft.)	333 cm (10,93 ft.)	318 cm (10,43 ft.)

Aanbevolen vermogen versterker

6,5 inch luidsprekers	30 tot 90 W RMS bij muziek afspelen
7,7 inch luidsprekers	25 tot 120 W RMS bij muziek afspelen
8,8 inch luidsprekers	25 tot 140 W RMS bij muziek afspelen

Aanbevelingen optimale behuizing

Specificatie	6,5 inch luidsprekers	7,7 inch luidsprekers	8,8 inch luidsprekers
Volume afgesloten behuizing*	18 l (0,64 ft. ³)	20 l (0,71 ft. ³)	22 l (0,78 ft. ³)
Volume behuizing met (ventilatie-)poorten of openingen**	25 l (0,88 ft. ³)	30 l (1,06 ft. ³)	35 l (1,23 ft. ³)
Poortdiameter	76 mm (3 in.)	76 mm (3 in.)	76 mm (3 in.)
Poortlengte	162 mm (6,4 in.)	160 mm (6,3 in.)	170 mm (6,7 in.)

* Volledig gevuld met absorberend materiaal

** Gevoerd met absorberend materiaal