

KEY FEATURES

- 1" (25 mm) high frequency compression driver
- Sensitivity 109 dB (1W / 1m)
- Improved moving assembly mechanical coupling for excellent power handling capabilities
- PM-4 polymer diaphragm with higher surface tension energy
- Ultra lightweight edgewound aluminium ribbon voice coil
- Aluminium cover
- Ferrite magnet

TECHNICAL SPECIFICATIONS

Throat diameter	25 mm	1 in
Rated impedance		8 Ω
Minimum impedance		5 Ω
D.C. resistance		4,3 Ω
Power capacity*	70 WAES above 1,2 kHz	
Program power	140 W above 1,2 kHz	
Sensitivity**	109 dB 1W / 1m @ Z_N coupled to TD-164	
Frequency range	0,7 - 19 kHz	
Recommended crossover	1,2 kHz or higher (12 dB/oct min.)	
Voice coil diameter	44,4 mm	1,75 in
Magnetic assembly weight	1,2 kg	2,86 lb
Flux density		1,65 T
BI factor		6,6 N/A

MOUNTING INFORMATION

Overall diameter	100 mm	3,94 in
Depth	62 mm	2,44 in
Mounting	Three M5 threaded holes, 120° apart on 57 mm (2,24 in) diameter circle Two M5 threaded holes, 180° apart on 76,2 mm (3 in) diameter circle	
Net weight	1,3 kg	2,86 lb
Shipping weight	1,4 kg	3,10 lb

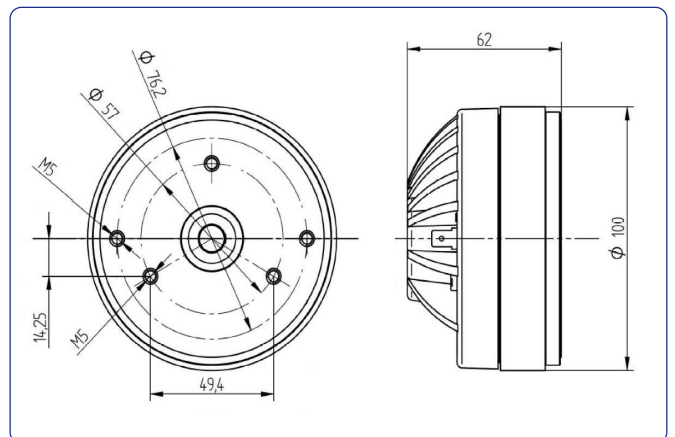
Notes:

* The power capacity is determined according to AES2-1984 (r2003) standard. Program power is defined as the transducer's ability to handle normal music program material.

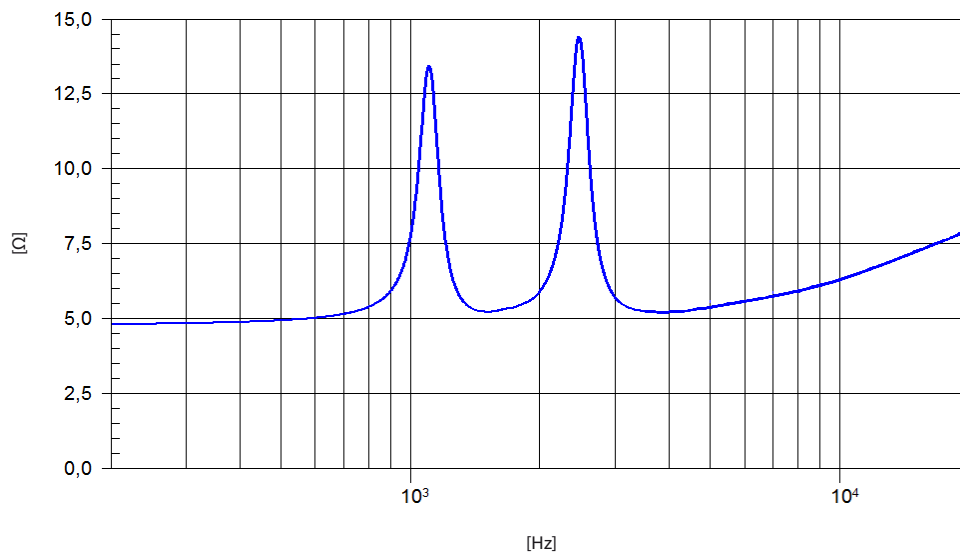
** Sensitivity was measured at 1m distance, on axis, with 1W input, averaged in the range 1 - 7 kHz.



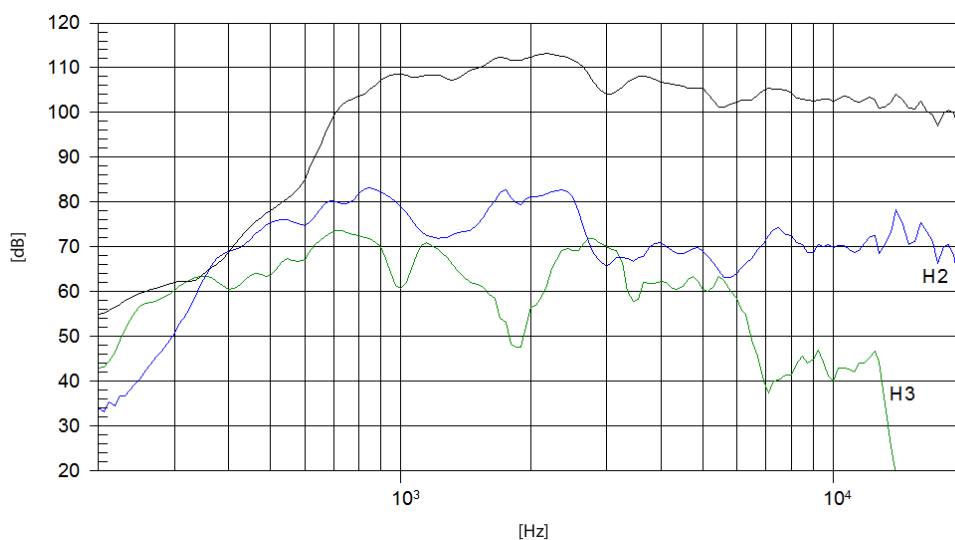
DIMENSION DRAWINGS



FREE AIR IMPEDANCE CURVE



FREQUENCY RESPONSE AND DISTORTION



Note: On axis frequency response measured coupled to TD-164 horn in anechoic chamber, 1W / 1m