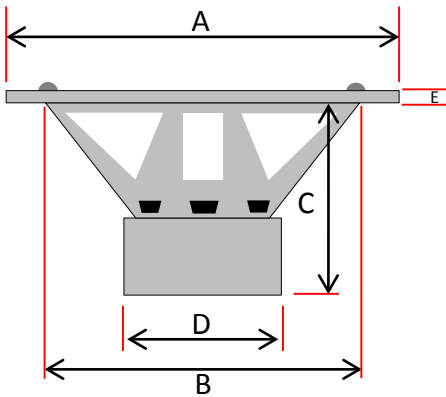




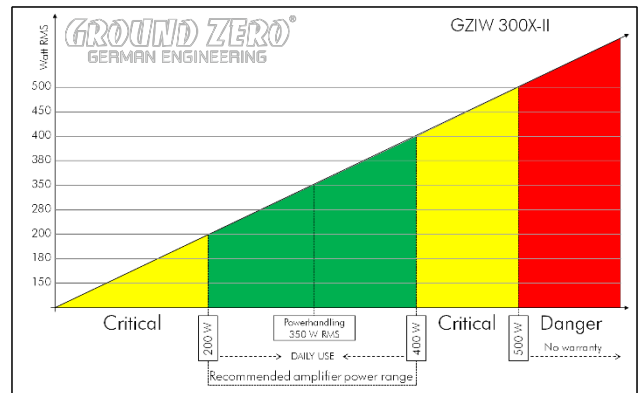
TECHNICAL SPECIFICATIONS

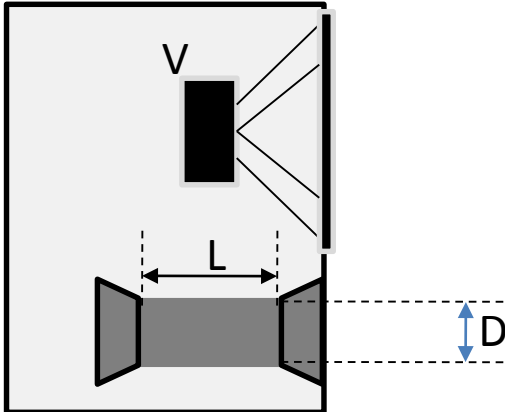
Product name	GZIW 300X-II
Product type	Subwoofer chassis
Diameter	310 mm / 12.21" incl. Gasket 318 mm / 12.52"
Mounting diameter	287 mm / 11.30"
Mounting depth	145 mm / 5.71"
Magnet dimension	126 x 60 x 24 mm
Total weight	4,05 KG
Voice coil diameter	50 mm / 2"
Voice coil winding height	23 mm / 0.91"
Voice coil wire material	Copper
Voice coil former material	Kapton
Top plate height	8 mm / 0.315"
Linear excursion (one direction)	7,5 mm / 0.295"
Effective Xmax	16 mm / 0.63"
Top Plate and T-Yoke color	Black
Basket material	Steel
Basket color	Orange (<2011) / Black (2011>)
Spider	1x Polycot
Surround	Rubber
Cone	IMPP
Dustcap	PP inverse /Logo print
Magnetcover	PVC Boot

Gasket	PVC Gasket
Terminal	Chrome push terminal
Power handling	350 WRMS
Impedance	4 Ohm
Re	3.5 Ohm
Res	37.3 Ohm
FS	34.9 Hz
Qms	6.82
Qes	0.77
Qts	0.69
Rms	4.2 kg/s
Cms	0.16 mm/N
Mms	130.5 gr
BL	11.4 N/A
SPL	87 dB
VAS	53.6 L / 1.89 cu.ft
Le	2.09 mH
Recommended freq. response	30 – 150 Hz
Recommended amplifier power	200 – 400 WRMS @ 4 Ohm
Sound Quality	☺ (max. ☺☺☺☺☺☺)
SPL Competition	☺ (max. ☺☺☺☺☺☺)
Low bass performance 20-50Hz	☺☺ (max. ☺☺☺☺☺☺)
Mid bass performance 50-80Hz	☺☺ (max. ☺☺☺☺☺☺)



A	310 mm / 12.21 " incl. Gasket 318 mm /12.52"
B	287 mm / 11.30"
C	145 mm / 5.71"
D	145 mm / 5.71"
E	16mm / 0.63"



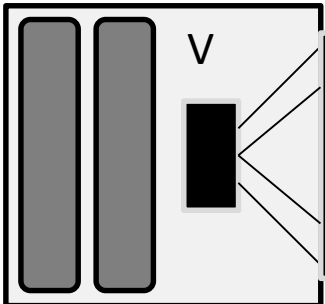
BOX RECOMMENDATION

Medium size vented box

V: 37 L / 1.306 cu.ft

D: 80 mm / 3.15"

L: 120 mm / 5.5"

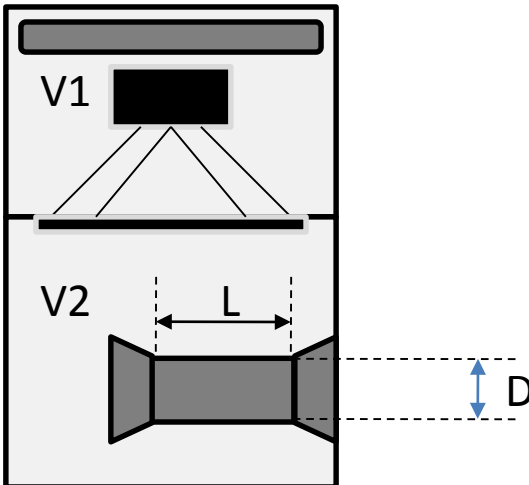
No damping


Medium size sealed box

30 L / 1.059 cu.ft

& free air

40 - 60% polyester whoo


Medium size bandpassbox

V1: 25 L / 0.883 cu.ft

V2: 30 L / 1.059 cu.ft

D: 100 mm / 4"

L: 140 mm / 6.3"

20% polyester whool in V1

No damping in V2

Die hier aufgeführten Gehäusevorschläge sind nur einige, der möglichen Varianten.

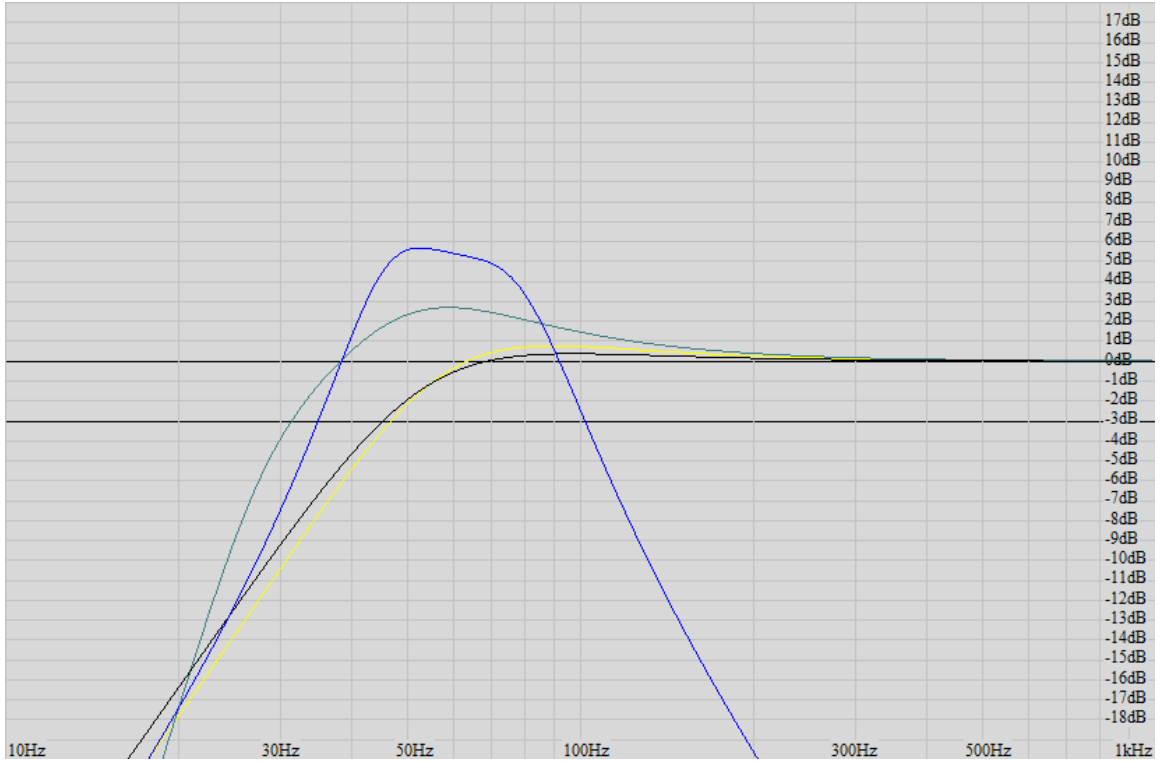
Bitte beachten Sie zudem, dass die finale Abstimmung, speziell die Port Längen je nach Fahrzeug und eigenem Geschmack variiert werden sollte.

Above-mentioned enclosure recommendations are just a few possible variations.

Please note that you should find the perfect tuning, especially port length, based on your car and own taste.



BOX RECOMMENDATION



Curve	Type	Volume	F3/ Qtc
Green	Vented	56 L / 1.98 cu.ft	30 Hz
Yellow	Sealed	35 L / 1.24 cu.ft	46 Hz / 0.91
Black	Sealed	50 L / 1.77 cu.ft	45 Hz / 0.84
Blue	Bandpass 4th order	V1: 27 L / 0.95 cu.ft V2: 33 L / 1.17 cu.ft	Centerfreq. 59 Hz

Die hier aufgeführten Gehäusevorschläge sind nur einige, der möglichen Varianten.
 Bitte beachten Sie zudem, dass die finale Abstimmung, speziell die Port Längen je nach Fahrzeug und eigenem Geschmack variiert werden sollte.
Above-mentioned enclosure recommendations are just a few possible variations.
Please note that you should find the perfect tuning, especially port length, based on your car and own taste.

