

# GROUND ZERO<sup>®</sup>

## GERMAN ENGINEERING

### Datasheet

GZTW 10F



**GROUND ZERO** GmbH – Erlenweg 25, 85658 Eggenstein, Germany



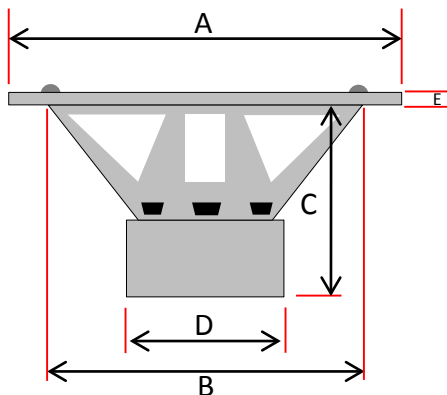
GroundZeroAudioCom

[www.ground-zero-audio.com](http://www.ground-zero-audio.com)  
[info@ground-zero-audio.com](mailto:info@ground-zero-audio.com)

## TECHNICAL SPECIFICATIONS

Product name	GZTW 10F	Gasket material	Rubber
Product type	Flat subwoofer driver	Terminal type	Black-chromed push terminal
Outer diameter	257 mm / 10.12"	Power handling	300 Watts RMS
Mounting diameter	232 mm / 9.13"	Impedance	2x 2 ohms
Mounting depth	88 mm / 3.46"	$R_{e(Serial)}$	4.0 ohms
Magnet dimension	156 x 22.5 mm	$R_{es}$	55.57 ohms
Total weight	4.9 kg	$F_s$	38.1 Hz
Voice coil diameter	50 mm / 2" round wire	$Q_{ms}$	6.137
Voice coil wire material	Copper	$Q_{es}$	0.436
Voice coil former material	Aluminum	$Q_{ts}$	0.407
Top plate / height	7 mm / 0.28"	Rms	4594 g/s
Linear excursion (one direction)	13 mm / 0.51"	Cms	0.148 mm/N
Effective Xmax	30 mm / 1.18"	Mms	117.6 g
Top Plate and T-Yoke color	Black	BL	15.98 N/A
Basket material	Steel	SPL (1w/1m)	87.5 dB
Basket color	Black hammered effect	$V_{AS}$	27.1 L / 0.96 cu.ft
Surround type	High-roll rubber	$L_e$	2.213 mH
Cone material	IMPP	$S_d$	346.4 cm <sup>2</sup> / 53.69 sqin
Dustcap material	Concave aluminum with logo	Recommended frequency range	40 – 120 Hz
Magnet cover	PVC	Recommended amplifier power	150 – 450 WRMS (@ 4 / 1 ohms)

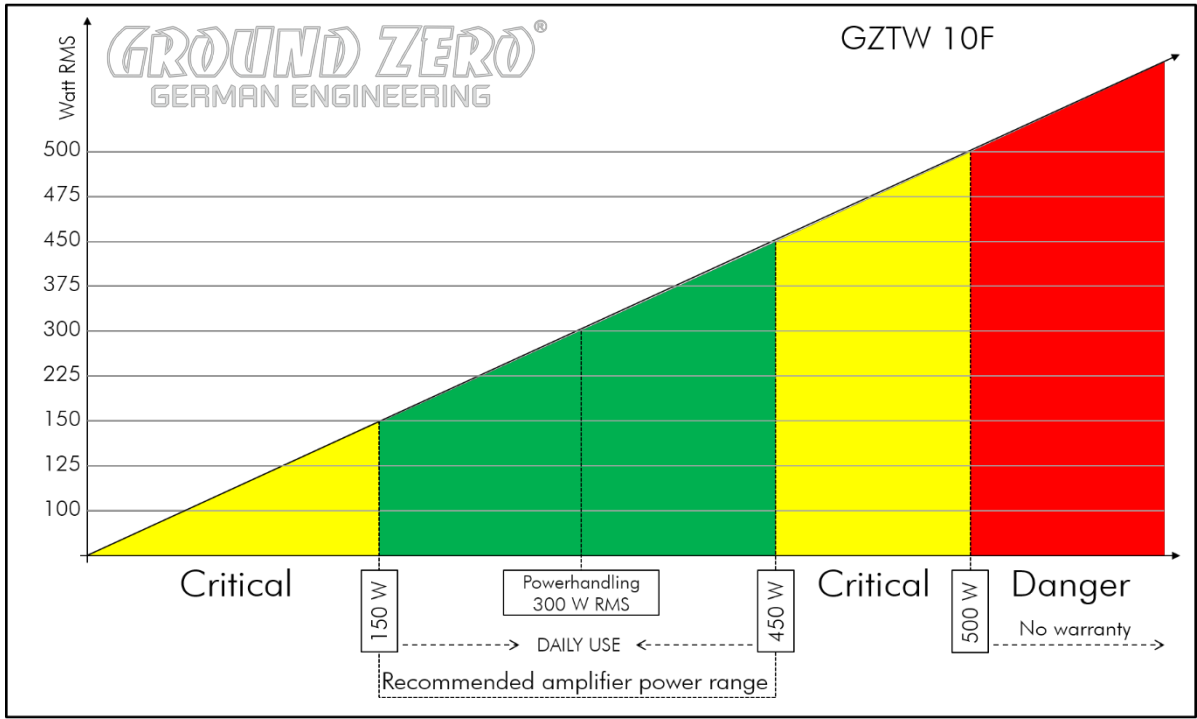
\* max. power handling is only for recommended enclosure applicable



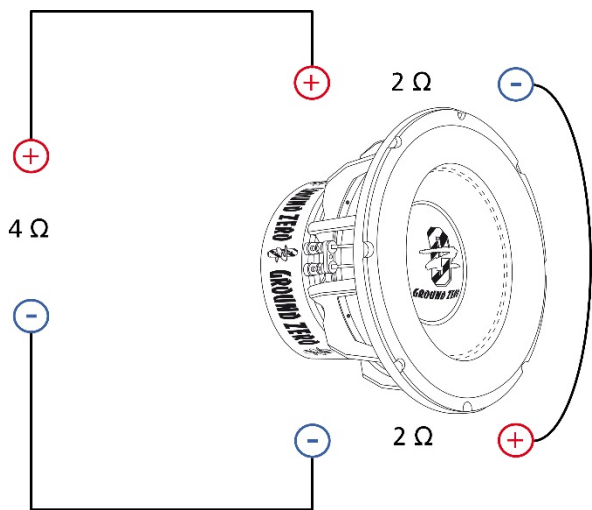
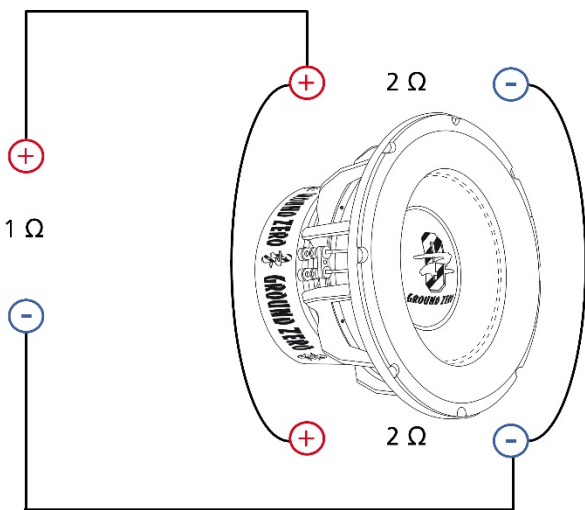
A	257 mm / 10.12"
B	228 mm / 8.98"
C	88 mm / 3.46"
D	170 mm / 6.69"
E	5 mm / 0.20"



## POWER RECOMMENDATION



## WIRING OPTIONS



## ENCLOSURE RECOMMENDATION

<b>Bassreflex / vented</b> (Grün / green)	40 Liter netto / 1.41 cu.ft. net <b>Recommended enclosure !</b>
Port (dimensions)	80 mm / 3.15"
Portlänge / port length	200 mm / 7.87"
F <sub>3</sub> (-3 dB)	33 Hz
<b>Bassreflex / vented</b> (Orange / orange)	20 Liter netto / 0.71 cu.ft. net <b>Minimum volume</b>
Port (dimensions)	80 mm / 3.15"
Portlänge / port length	245 mm / 9.65"
F <sub>3</sub> (-3 dB)	45 Hz
<b>Bandpass 4<sup>th</sup> order</b> (Blau / blue)	17 Liter netto geschlossen / 0.60 cu.ft. net sealed 22 Liter netto ventiliert / 0.78 cu.ft. net vented <b>limited frequency range</b>
Port (diameter)	100 mm / 4"
Portlänge / port length	245 mm / 7.09"
F <sub>b</sub> (tuning frequency)	57 Hz
Bandbreite / bandwidth (-3dB)	40 – 85 Hz
<b>Geschlossen / sealed</b> (Rot / red)	24 Liter netto / 0.85 cu.ft. net
Q <sub>tc</sub> / F <sub>3</sub> (-3 dB)	0.60 / 70 Hz

