

P O W E R

2014 & UP HARLEY-DAVIDSON®
SPEAKERS

TMS65



Serial Number: _____

Date of Purchase: _____

Introduction

Dear Customer,

Congratulations on your purchase of the world's finest brand of audio products. At Rockford Fosgate we are fanatics about musical reproduction at its best, and we are pleased you chose our product. Through years of engineering expertise, hand craftsmanship and critical testing procedures, we have created a wide range of products that reproduce music with all the clarity and richness you deserve.

For maximum performance we recommend you have your new Rockford Fosgate product installed by an Authorized Rockford Fosgate Dealer, as we provide specialized training through Rockford Technical Training Institute (RTTI). Please read your warranty and retain your receipt and original carton for possible future use.

Great product and competent installations are only a piece of the puzzle when it comes to your system. Make sure that your installer is using 100% authentic installation accessories from Rockford Fosgate in your installation. Rockford Fosgate has everything from RCA cables and speaker wire to power wire and battery connectors. Insist on it! After all, your new system deserves nothing but the best.

To add the finishing touch to your new Rockford Fosgate image, order your Rockford accessories, which include everything from T-shirts to hats.

Visit our web site for the latest information on all Rockford products;

www.rockfordfosgate.com

or, in the U.S. call 1-800-669-9899 or FAX 1-800-398-3985. For all other countries, call +001-480-967-3565 or FAX +001-480-966-3983.

Table of Contents

2	Introduction
3-6	Specifications
7	Installation Considerations
8-11	Installation
12	Français
13	Español
14	Deutsch
15	Italiano
16	Warranty

If, after reading your manual, you still have questions regarding this product, we recommend that you see your Rockford Fosgate dealer. If you need further assistance, you can call us direct at **1-800-669-9899**. Be sure to have your serial number, model number and date of purchase available when you call.

PRACTICE SAFE SOUND

Continuous exposure to sound pressure levels over 100dB may cause permanent hearing loss. High powered auto sound systems may produce sound pressure levels well over 130dB. Use common sense and practice safe sound.

PRATIQUEZ UNE ÉCOUTE SANS RISQUES

Une exposition continue à des niveaux de pression acoustique supérieurs à 100 dB peut causer une perte d'acuité auditive permanente. Les systèmes audio de forte puissance pour auto peuvent produire des niveaux de pression acoustique bien au-delà de 130 dB. Faites preuve de bon sens et pratiquez une écoute sans risques.

PRACTIQUE EL SONIDO SEGURO

El contacto continuo con niveles de presión de sonido superiores a 100 dB puede causar la pérdida permanente de la audición. Los sistemas de sonido de alta potencia para automóviles pueden producir niveles de presión de sonido superiores a los 130 dB. Aplique el sentido común y practique el sonido seguro.

PRAKTIZIEREN SIE SICHEREN SOUND

Fortgesetzte Geräuschdruckpegel von über 100 dB können beim Menschen zu permanentem Hörverlust führen. Leistungsstarke Autosoundsysteme können Geräuschdruckpegel erzeugen, die weit über 130 dB liegen. Bitte wenden Sie gesunden Menschenverstand an und praktizieren Sie sicheren Sound.

OSSERVATE LE REGOLE DEL SUONO SENZA PERICOLI

La costante esposizione a livelli di pressione acustica al di sopra dei 100dB possono causare la perdita permanente dell'udito. I sistemi audio ad alta potenza possono produrre livelli di pressione acustica ben superiori ai 130dB. Si consiglia il buon senso e l'osservanza delle regole del suono senza pericoli.

Safety

This symbol with "WARNING" is intended to alert the user to the presence of important instructions. Failure to heed the instructions will result in severe injury or death.



This symbol with "CAUTION" is intended to alert the user to the presence of important instructions. Failure to heed the instructions can result in injury or unit damage.



- To prevent injury and damage to the unit, please read and follow the instructions in this manual. We want you to enjoy this system, not get a headache.
- If you feel unsure about installing this system yourself, have it installed by a qualified Rockford Fosgate technician.
- Before installation, disconnect the battery negative (-) terminal to prevent damage to the unit, fire and/or possible injury.

Model	TMS65
Nominal Diameter - inch (mm)	6.5 (165)
Description	2-Way
Nominal Impedance (Ohms)	4Ω
Frequency Response (Hz)	65-20kHz
Voice Coil Diameter - inch (mm)	1.4 (35.6)
Power Handling - Watts (RMS/Peak)	75/150
Fs - Free Air Resonance (Hz)	86.5
Qts	0.52
Vas - cu. ft. (Liter)	0.198 (5.6)
Sensitivity (1W/1M)	91dB
Sensitivity (2.83V/1M)	94dB
Xmax - inch (mm)	0.19 (3.0)
Mounting Diameter	5.0 (128)
Mounting Depth	2.1 (53)
Grille/Trim Ring	YES

See page 4-6 for additional dimensions



CEA 2031

Power handling on Rockford Fosgate speakers conform to CEA-2031 industry standards. This means your speaker has the capacity to handle power under continuous demand, not instantaneous power handling that over time can damage voice coils.

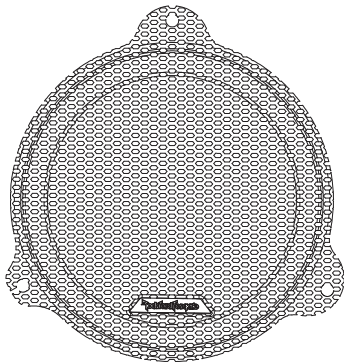
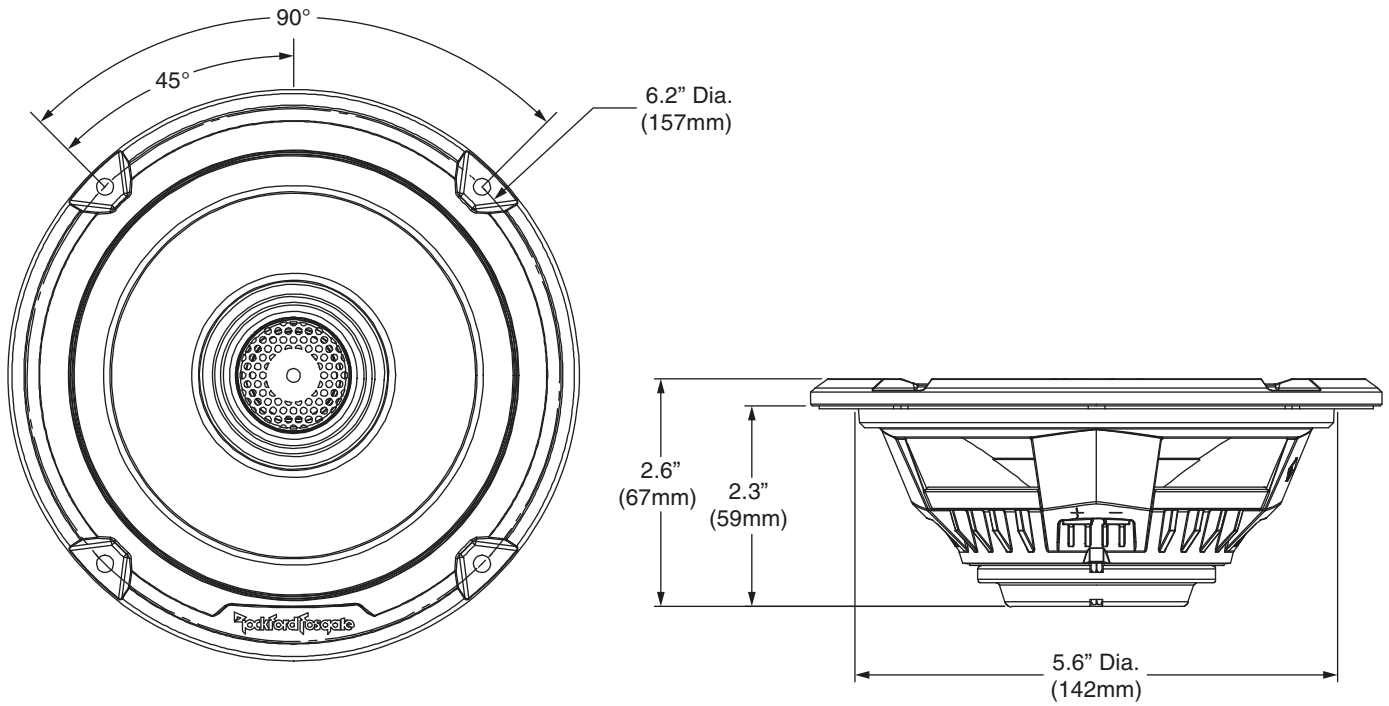


VERIFIED WITH KLIPPEL

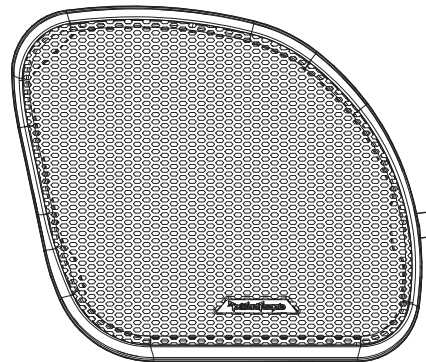
To adorn the 'Verified with Klippel' mark, the qualifying company's loudspeaker engineering personnel must be trained and certified by Klippel prior to using the three separate Klippel systems to design, develop and test. Rockford Fosgate has made the investment in Klippel to deliver the best possible speakers and subwoofers to their customers.

Specifications

TMS65



2014 & Up Street Guide® Grilles Included



2015 & Up Road Glide® Grilles Included



2014 & Up Tour Pak Grilles Included

Contents

- (1) Pair of 2-Way Speakers
- (1) Pair of 2014 & Up Tour-Pak Grilles
- (1) Pair of 2015 & Up Road Glide Grilles
- (1) Pair of 2014 & Up Street Glide Grilles
- (1) Pair of 2014 & Up Tour-Pak Grilles
- Installation & Operation Manual

Installation Tools

The following is a list of suggested tools needed for installation:

- Plastic Trim Panel Pry Tool
- Allen Wrench - 3/16", 5/32"
- Torx - T10, T25, T27

Installation Considerations

This section focuses on some considerations for installing your motorcycle replacement speakers. This manual will illustrate the installation of two different fairing styles and Tour-Pak offered by Harley-Davidson® from the production years ranging from 2014 and Up. (Ultra Classic®, Electra Glide®, Street Glide®, Tri Glide®, Road Glide® and Road Glide Ultra®.)

If you feel unsure about installing this system yourself, have it installed by a qualified technician.



CAUTION

Before installation, disconnect the battery negative (-) terminal to prevent damage to the unit, fire and/or possible injury.



CAUTION

Before beginning any installation, follow these simple rules:

- Be sure to carefully read and understand the instructions before attempting to install these motorcycle speakers.
- Consult your motorcycle's service manual for model specific information. Models may differ from year to year depending on factory options and aftermarket accessories added.
- These motorcycle speakers are a complete replacement to the factory (OEM) speaker setup.
- With the addition of an amplifier, be sure that your current charging system is in proper working order.
- Utilize a blanket or fender cover to protect the front fender from tools or any other item that may be accidentally be dropped while removing the fairing.
- Visit rockfordfosgate.com for more comprehensive installation videos and product information.

Installation

Front Speakers for Ultra Classic®, Electra Glide®, Street Glide® and Tri Glide® models.



Step 1 - Fairing Removal

To begin with, remove the top screws below the windshield to remove the windshield.



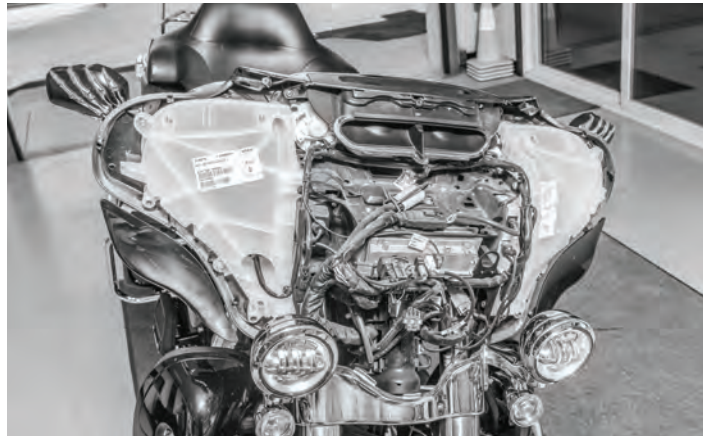
Once you have the windshield set aside, remove the remaining screws on the inside of the fairing.



This will allow you to remove the front fairing.



You will need to disconnect the harness from the headlight to completely take the fairing off of the motorcycle.

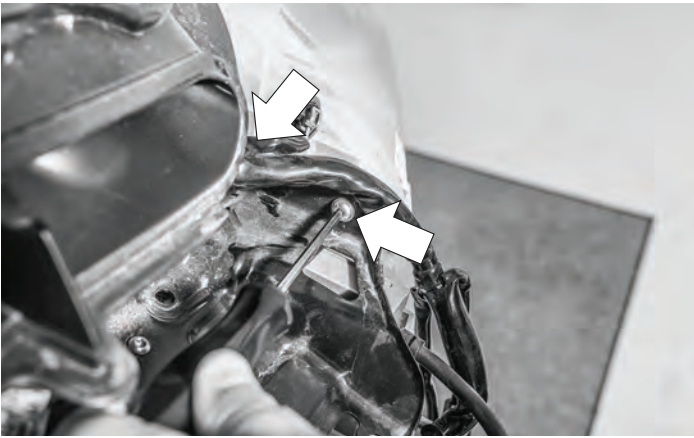


Step 2 - Speaker & Pod Removal

After the fairing is removed, this will provide access for the speaker pods that need to be removed so the speakers can be replaced.



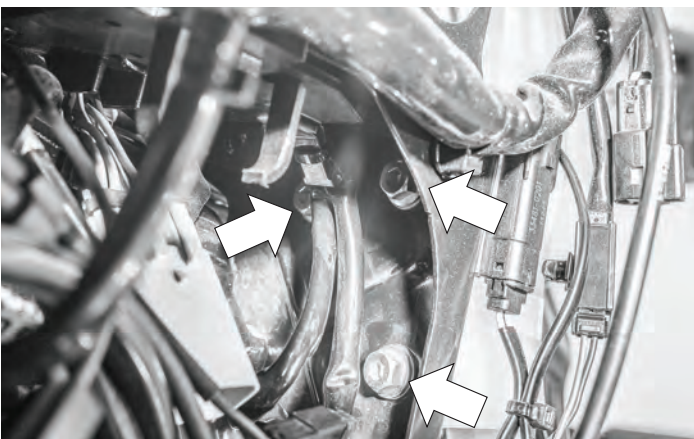
There are several wire connectors that are attached to the speaker pods and surrounding components that will need to be removed prior to unbolting allowing access to the bolts holding the pods in place.



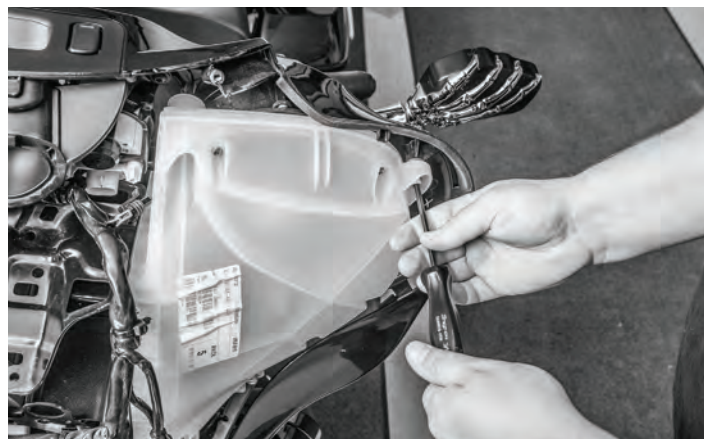
Remove the top two bolts with a allen head screwdriver or ratchet.



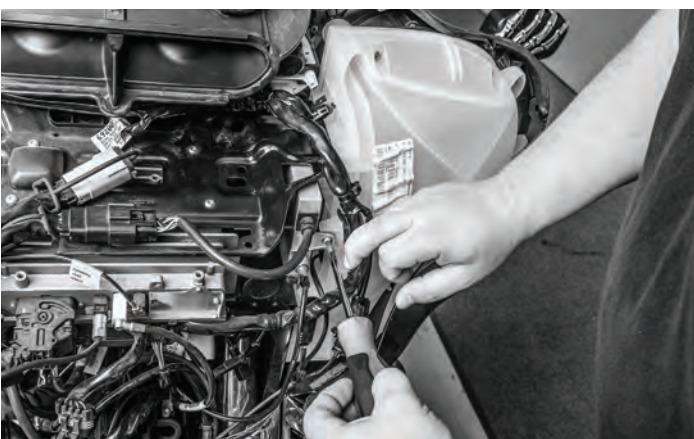
Unplug the module and set it aside.



After the top two bolts are removed, remove the three bolts that are under the radio area.



Next, remove the last three screws that hold the pod to the fairing.

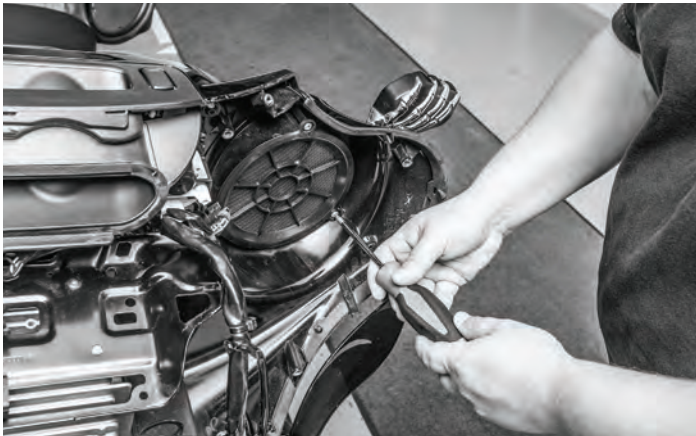


If your bike is equipped with the optional communication setup, you will need to remove the module to access mounting bolts.

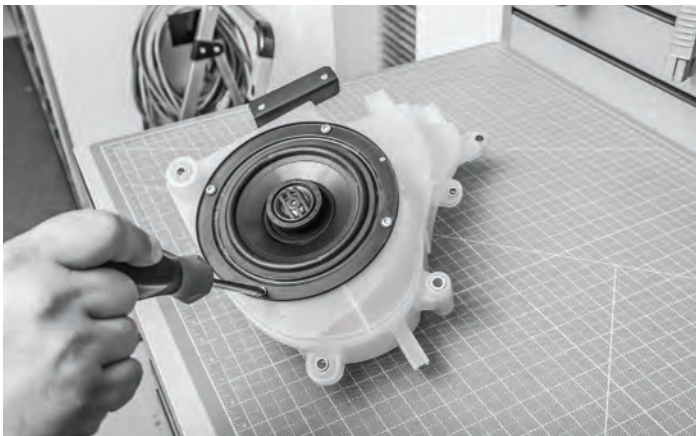


Remove the fairing and set aside for the speaker removal.

Installation



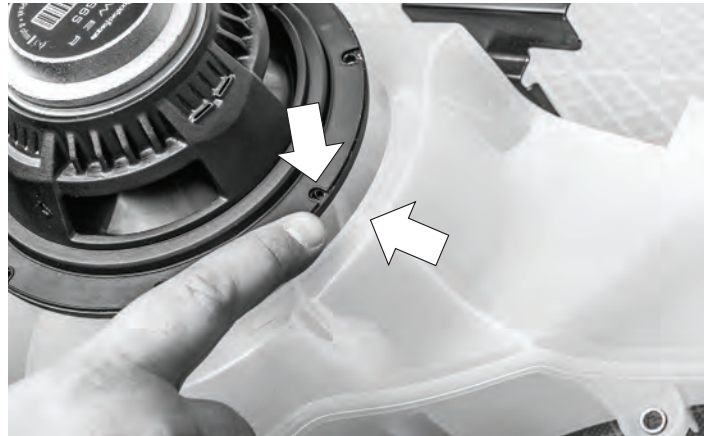
Using a screwdriver, remove the speaker grille that is attached to the fairing.



With the pod on a bench, unscrew the mounting screws to remove the factory speaker from the factory pod.



Unplug the terminals to disconnect the speaker.



Step 3 - Speaker Installation

Prior to installing the speaker to the pod, there are alignment pins on the pod that the speaker needs to line up to ensure proper fit.



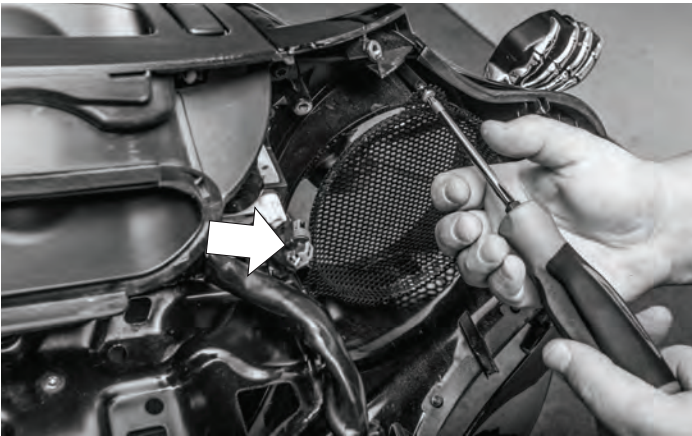
Take the new Rockford speaker and slide the wire connectors over the terminals.

NOTE: The smaller terminal is the positive (+) and the larger terminal is the negative (-).



Secure the speaker to the factory pod using the factory hardware.

NOTE: Do not overtighten the mounting screws. Doing so can strip the threads on the plastic pod.



Attach the new Rockford grille to the inside of the fairing.

NOTE: The speaker grilles are side specific and have a notch in one of the mounting holes as an indicator. The notch is faced towards the middle of the bike.



Reattach the pod with the factory hardware and reinstall any wire harnesses that were removed for the pod removal.



Install the outer fairing to the motorcycle after speaker pods and wiring is secured.



Front Speakers for Road Glide® and Road Glide Ultra® models.

Step 1 - Speaker & Grille Removal

Remove the factory speaker grille with a plastic pry tool or small hook tool.



NOTE: Pull or pry on the portion of the grille that is closer to the inside of the bike.



Remove the mounting screws holding the speaker in place.

Installation



Unplug the terminals to disconnect the speaker.

Step 2 - Speaker & Grille Installation



Take the new Rockford speaker and slide the wire connectors over the terminals.

NOTE: The smaller terminal is the positive (+) and the larger terminal is the negative (-).

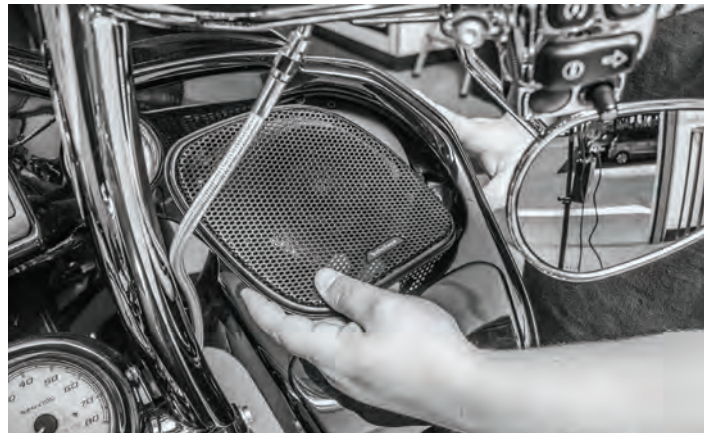


Prior to installing the speaker to the pod, there are alignment pins on the pod that the speaker needs to line up to ensure proper fit.



Secure the speaker to the pod using the factory hardware.

NOTE: Do not overtighten screws. Doing so can strip the threads on the plastic pod.



Once the speaker is secured, press the new grille into place.



Rear Speakers for Tour-Pak models.

Step 1 - Rear Speaker Removal

Unscrew the speaker grilles from the rear pods and remove factory speaker.



Unplug the terminals to disconnect the speaker.



Step 2 - Rear Speaker Installation

Before connecting the speaker wires, place the grille trim ring behind the speaker.



Connect the speakers by sliding the speaker wire connector over the speaker terminals

NOTE: The smaller terminal is the positive (+) and the larger terminal is the negative (-).



Insert the new Rockford speaker into the speaker pod and secure with mounting screws.



Place the grille over the speaker and press into place.

Warranty

Rockford Corporation offers a limited warranty on Rockford Fosgate products on the following terms:

Length of Warranty

- POWER Amplifiers – 2 Years
- BMW® Direct Fit Speakers – 2 Years
- Source Units – 1 Year
- All other products – 1 Year
- Any Factory Refurbished Product – 90 days (receipt required)

What is Covered

This warranty applies only to Rockford Fosgate products sold to consumers by Authorized Rockford Fosgate Dealers in the United States of America or its possessions. Product purchased by consumers from an Authorized Rockford Fosgate Dealer in another country are covered only by that country's Distributor and not by Rockford Corporation.

Who is Covered

This warranty covers only the original purchaser of Rockford product purchased from an Authorized Rockford Fosgate Dealer in the United States. In order to receive service, the purchaser must provide Rockford with a copy of the receipt stating the customer name, dealer name, product purchased and date of purchase.

Products found to be defective during the warranty period will be repaired or replaced (with a product deemed to be equivalent) at Rockford's discretion.

What is Not Covered

1. Damage caused by accident, abuse, improper operations, water, theft, shipping.
2. Any cost or expense related to the removal or reinstallation of product.
3. Service performed by anyone other than Rockford or an Authorized Rockford Fosgate Service Center.
4. Any product which has had the serial number defaced, altered, or removed.
5. Subsequent damage to other components.
6. Any product purchased outside the U.S.
7. Any product not purchased from an Authorized Rockford Fosgate Dealer.

Limit on Implied Warranties

Any implied warranties including warranties of fitness for use and merchantability are limited in duration to the period of the express warranty set forth above. Some states do not allow limitations on the length of an implied warranty, so this limitation may not apply. No person is authorized to assume for Rockford Fosgate any other liability in connection with the sale of the product.

How to Obtain Service

Contact the Authorized Rockford Fosgate Dealer you purchased this product from. If you need further assistance, call 1-800-669-9899 for Rockford Customer Service. You must obtain an RA# (Return Authorization number) to return any product to Rockford Fosgate. You are responsible for shipment of product to Rockford.

EU Warranty

This product meets the current EU warranty requirements, see your Authorized dealer for details.

Installation assistance available at:

RFTECH

www.rockfordfsgate.com/rftech

Printed in China

1230-60823-01-A

051816

600 South Rockford Drive • Tempe, Arizona 85281 United States
Direct: (480) 967-3565 • Toll Free: (800) 669-9899

ROCKFORDFSGATE.COM

