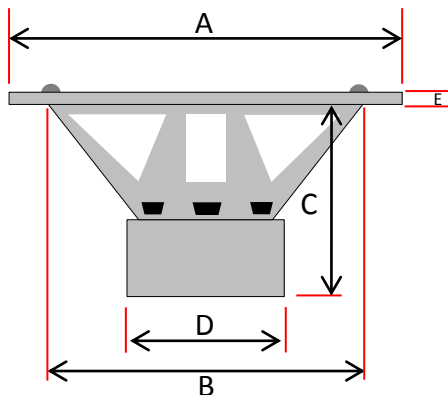




TECHNICAL SPECIFICATIONS

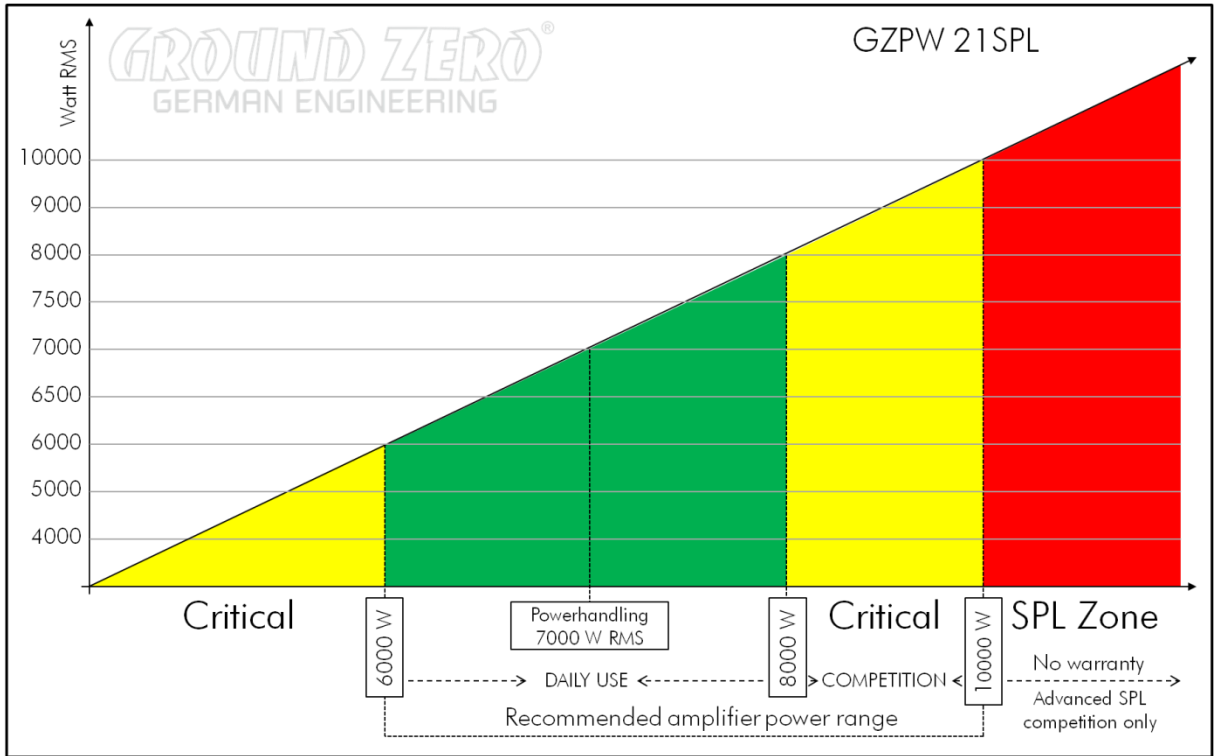
Product name	GZPW 21SPL	Gasket	Foam
Product type	Subwoofer chassis	Terminal	10 mm ² / 7 AWG wire
Diameter	545 mm / 21.5"	Power handling	10000 W SPL Power (7000 WRMS)
Mounting diameter	500 mm / 19.69"	Impedance	2 x 1 Ohm
Mounting depth	320 mm / 12.6"	Re	2 Ohm
Magnet dimension	3x 250 x 110 x 30 mm	Res	234.3 Ohm
Total weight	44.5 KG	FS	34.5 Hz
Voice coil diameter	130 mm / 5" Flat Wire	Qms	6.52
Voice coil winding height	80 mm / 3.15"	Qes	0.60
Voice coil wire material	CCA	Qts	0.55
Voice coil former material	Aluminum	Rms	21.4 kg/s
Top plate height	30 mm / 1.18"	Cms	0.03 mm/N
Linear excursion (one direction)	25 mm / 1"	Mms	643.1 gr
Effective Xmax	50 mm / 2"	BL	21.6 N/A
Top Plate and T-Yoke color	Black machined	SPL (1w/1m)	92 dB
Basket material	Aluminum Cast	VAS	111.9 L / 3.95 cu.ft
Basket color	Yellow	Le	1.41 mH
Spider	5x Progressive Nomex	Recommended freq. response	25 – 80 Hz
Surround	High Roll Sandwich Foam	Recommended amplifier power	6000 – 10000 WRMS @20hm / 0,5 Ohm
Cone	Reinforced paper	Sound Quality	☺☺☺☺ (max. ☺☺☺☺☺☺)
Dustcap	IMPP konvex / with 3D Logo	SPL Competition	☺☺☺☺☺☺ (max. ☺☺☺☺☺☺)
Magnetcover	Sticker	Low bass performance 20-50Hz	☺☺☺☺☺☺ (max. ☺☺☺☺☺☺)
		Mid bass performance 50-80Hz	☺☺☺☺ (max. ☺☺☺☺☺☺)



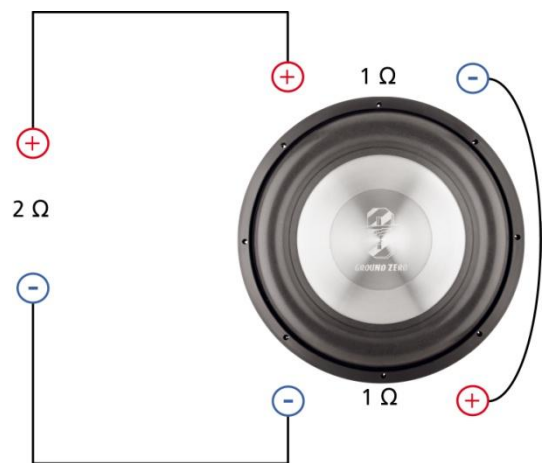
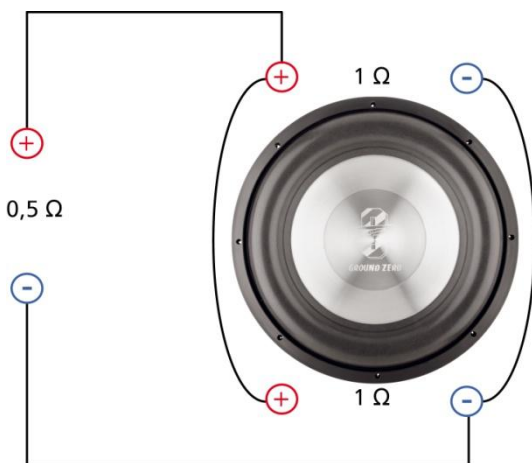
A	545 mm / 21.5"
B	500 mm / 19.69"
C	320 mm / 12.6"
D	250 mm / 9.8"
E	17 mm / 0.67"

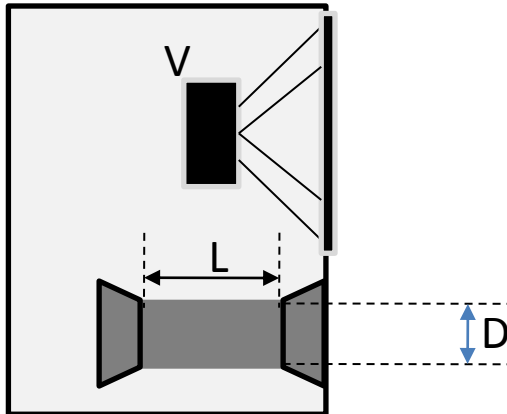


AMPLIFIER RECOMMENDATION



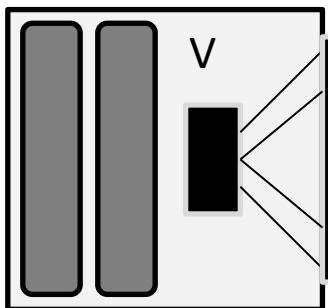
WIRING



BOX RECOMMENDATION

Small size vented box

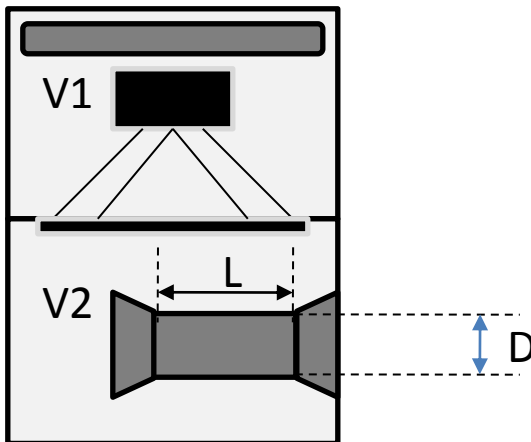
V: 200 L / 7.06 cu.ft
 D: 650 cm² / 100 inch²
 L: 700 mm / 27.56"

No damping


Small size sealed box

90 – 120 L / 3.18– 4.24 cu.ft
 Qtc 0.82 – 0.76

40 - 60% polyester wool


Medium size bandpassbox

V1: 80 L / 2.82 cu.ft
 V2: 120 L / 4.24 cu.ft
 D: 2x 200 mm / 2 x 8"
 L: 420 mm / 16.54"

20% polyester wool in V1
 No damping in V2

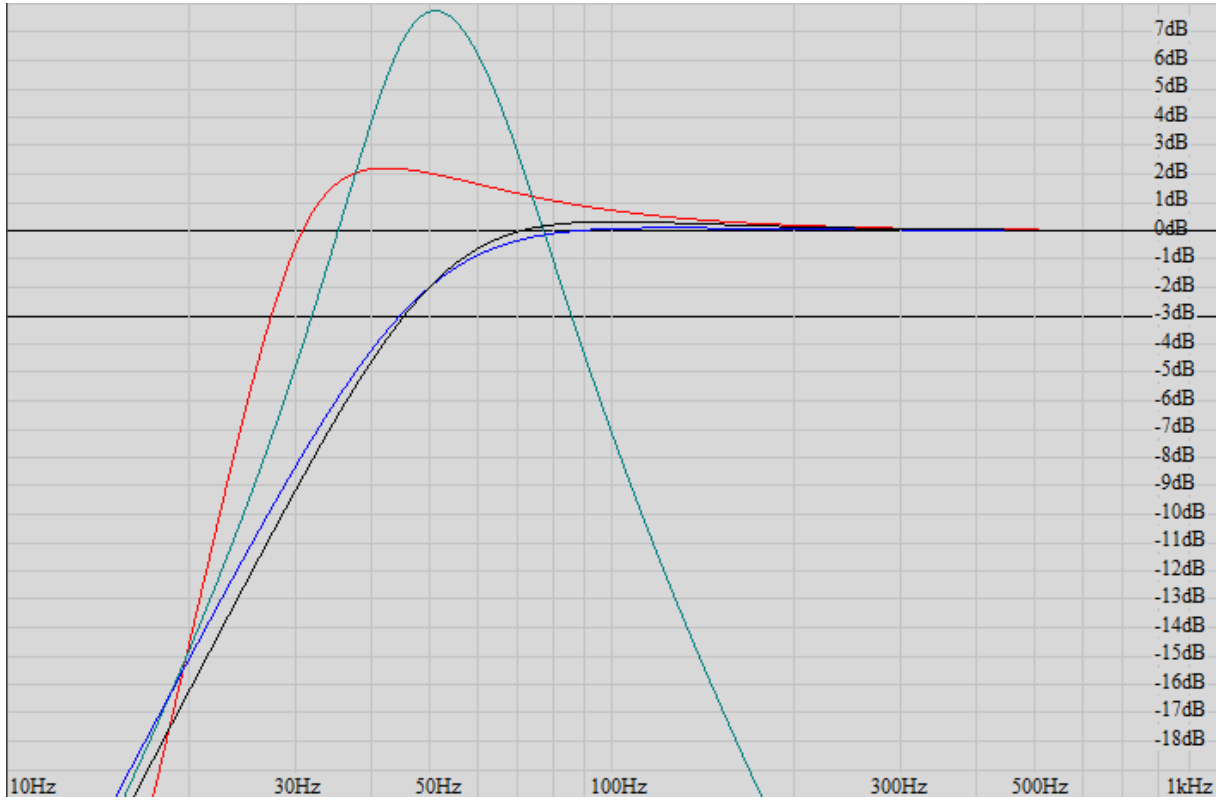
Die hier aufgeführten Gehäusevorschläge sind nur einige, der möglichen Varianten.

Bitte beachten Sie zudem, dass die finale Abstimmung, speziell die Port Längen je nach Fahrzeug und eigenem Geschmack variiert werden sollte.

Above-mentioned enclosure recommendations are just a few possible variations.

Please note that you should find the perfect tuning, especially port length, based on your car and own taste.



BOX RECOMMENDATION


Curve	Type	Volume	F3/ Qtc
Red	Vented	200 L / 7.06 cu.ft	27.3 Hz
Black	Sealed	90 L / 3.18 cu.ft	45 Hz / 0.82
Blue	Sealed	120 L / 4.24 cu.ft	44Hz / 0.76
Green	Bandpass 4th order	V1: 80 L / 2.82 cu.ft V2: 120 L / 4.24 cu.ft	Centerfreq. 52 Hz Bandwidth 31 – 85 Hz

Die hier aufgeführten Gehäusevorschläge sind nur einige, der möglichen Varianten.
 Bitte beachten Sie zudem, dass die finale Abstimmung, speziell die Port Längen je nach Fahrzeug und eigenem Geschmack variiert werden sollte.
Above-mentioned enclosure recommendations are just a few possible variations.
Please note that you should find the perfect tuning, especially port length, based on your car and own taste.

