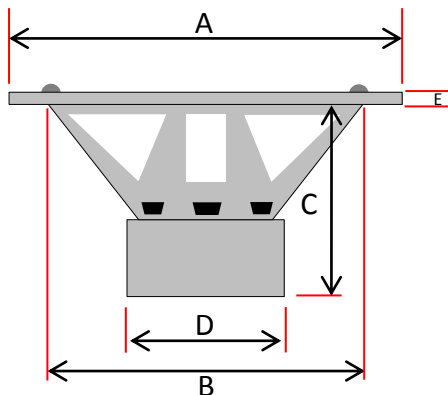




TECHNICAL SPECIFICATIONS

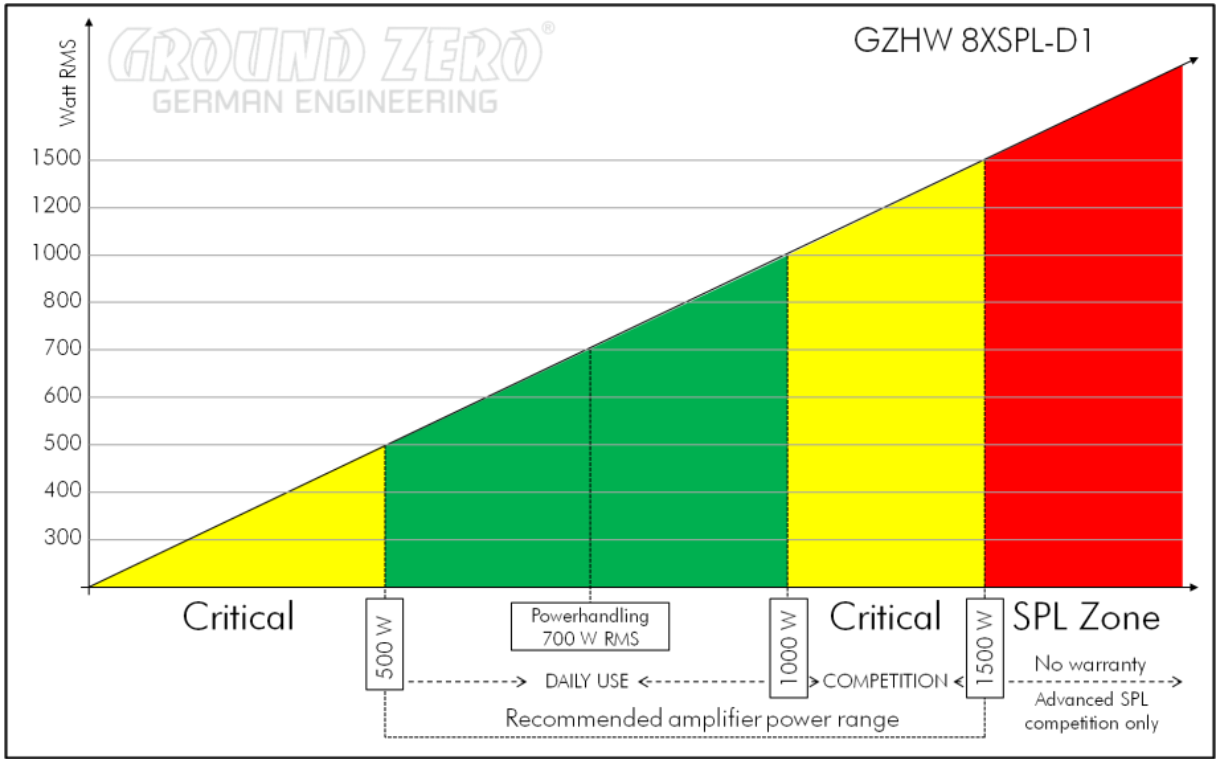
Product name	GZHW 8XSPL-D1	Gasket	Foam
Product type	Subwoofer chassis	Terminal	Black chrome push terminal
Diameter	215 mm / 8.46"	Power handling	1500 W SPL Power (700 WRMS)
Mounting diameter	188 mm / 7.4 "	Impedance	2 x 1 Ohm
Mounting depth	150 mm / 5.9"	Re	1.92 Ohm
Magnet dimension	3x 160 x 15 mm	Res	22.5 Ohm
Total weight	7.9 KG	FS	42.5 Hz
Voice coil diameter	63 mm / 2.5" Round Wire	Qms	7.695
Voice coil winding height	35 mm / 1.377"	Qes	0.504
Voice coil wire material	Copper	Qts	0.473
Voice coil former material	Aluminum	Rms	7.627 kg/s
Top plate height	9 mm / 0.354"	Cms	0.064 mm/N
Linear excursion (one direction)	13 mm / 0.51"	Mms	219.62 gr
Effective Xmax	40 mm / 1.57"	BL	15.014 N/A
Top Plate and T-Yoke color	Black machined	SPL (1w/1m)	80 dB
Basket material	Aluminum Cast	VAS	3.65 L / 0.129 cu.ft
Basket color	Yellow	Le	1.847 mH
Spider	2x Progressive Polycot	Recommended freq. response	40 – 120 Hz
Surround	High Roll Sandwich Foam	Recommended amplifier power	500 – 1500 WRMS @20hm / 0,5 Ohm
Cone	Reinforced paper	Sound Quality	☺☺☺ (max. ☺☺☺☺☺☺)
Dustcap	IMPP konvex / with 3D Logo	SPL Competition	☺☺☺☺ (max. ☺☺☺☺☺☺)
Magnetcover	PVC	Low bass performance 20-50Hz	☺☺ (max. ☺☺☺☺☺☺)
		Mid bass performance 50-80Hz	☺☺☺ (max. ☺☺☺☺☺☺)



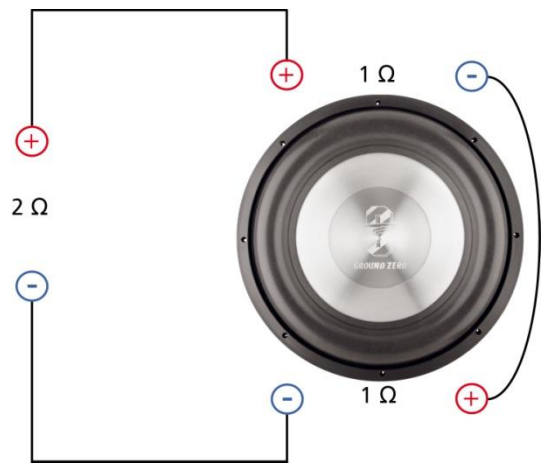
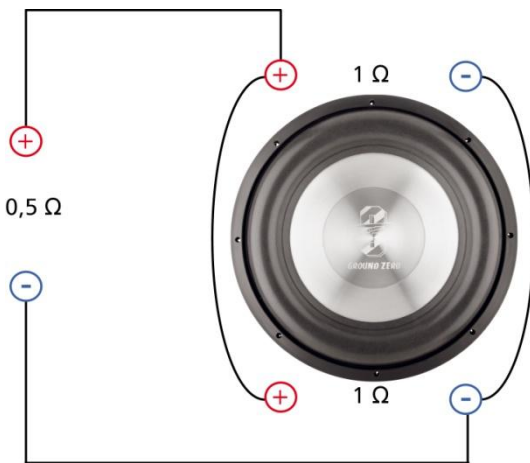
A	215 mm / 8.46"
B	188 mm / 7.4"
C	150 mm / 5.9"
D	160 mm / 6.3"
E	11 mm / 0.43"

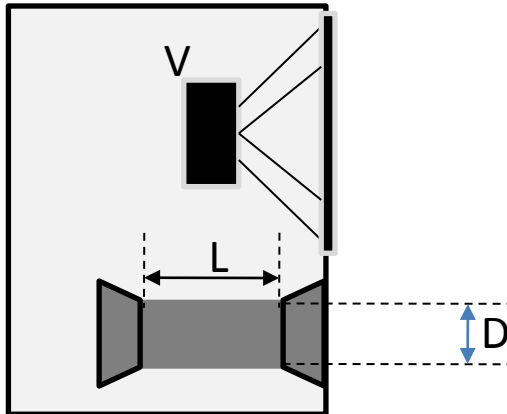


AMPLIFIER RECOMMENDATION



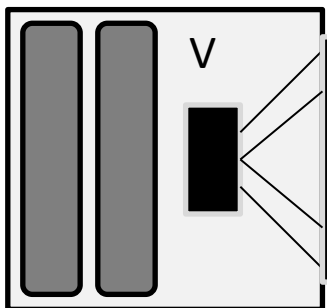
WIRING



BOX RECOMMENDATION

Small size vented box

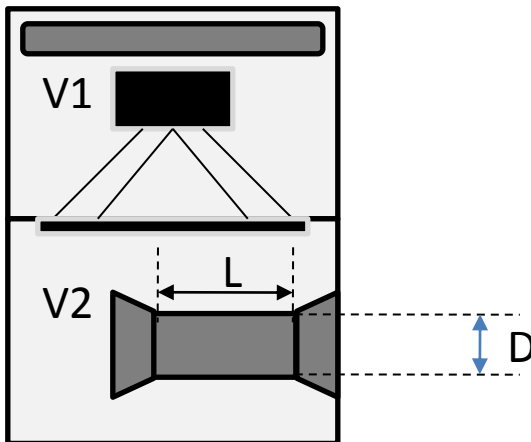
V: 22 L / 0.78 cu.ft
 D: 1x 80 mm / 3.15"
 L: *270 mm / 10.63"

No damping


Small size sealed box

4 – 15 L / 0.141– 0.53 cu.ft
 Qtc 0.65 – 0.53

40 - 60% polyester wool


Medium size bandpassbox

V1: 8 L / 0.28 cu.ft
 V2: 14 L / 0.49 cu.ft
 D: 1x 80 mm / 3.15"
 L: *250 mm / 10"

20% polyester wool in V1
 No damping in V2

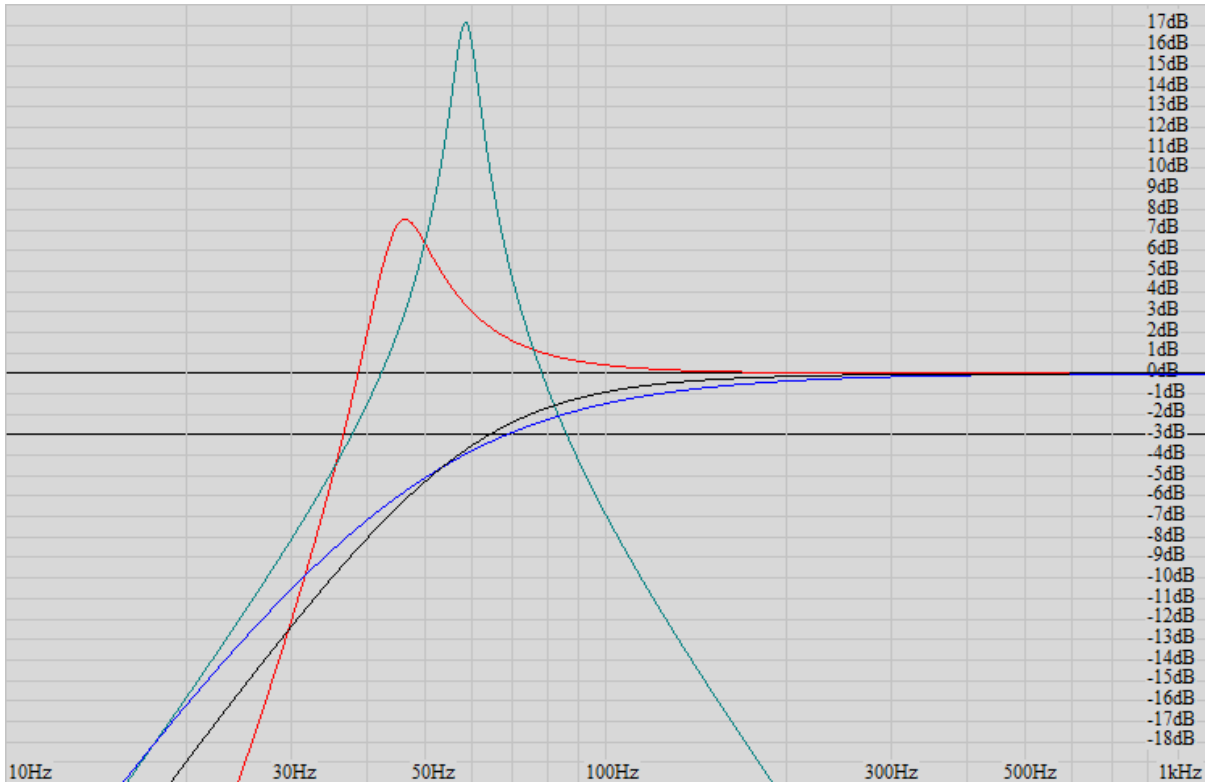
Die hier aufgeführten Gehäusevorschläge sind nur einige, der möglichen Varianten.

Bitte beachten Sie zudem, dass die finale Abstimmung, speziell die Port Längen je nach Fahrzeug und eigenem Geschmack variiert werden sollte.

Above-mentioned enclosure recommendations are just a few possible variations.

Please note that you should find the perfect tuning, especially port length, based on your car and own taste.



BOX RECOMMENDATION


Curve	Type	Volume	F3/ Qtc
Red	Vented	22 L / 0.78 cu.ft	36 Hz
Black	Sealed	4 L / 0.141 cu.ft	64 Hz / 0.65
Blue	Sealed	15 L / 0.53 cu.ft	68 Hz / 0.53
Green	Bandpass 4th order	V1: 8 L / 0.28 cu.ft V2: 14 L / 0.49 cu.ft	Centerfreq. 58 Hz

Die hier aufgeführten Gehäusevorschläge sind nur einige, der möglichen Varianten.

Bitte beachten Sie zudem, dass die finale Abstimmung, speziell die Port Längen je nach Fahrzeug und eigenem Geschmack variiert werden sollte.

Above-mentioned enclosure recommendations are just a few possible variations.

Please note that you should find the perfect tuning, especially port length, based on your car and own taste.

