



Separated Tweeter and Midwoofer crossover

Tweeterhousing with black rubber finish

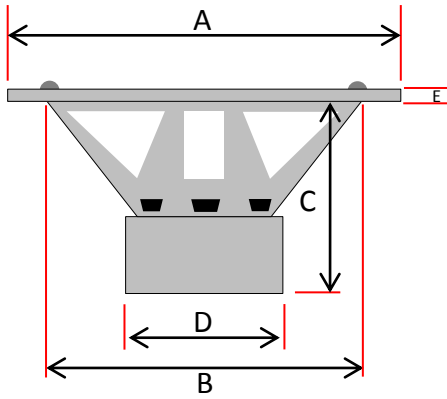


TECHNICAL SPECIFICATIONS

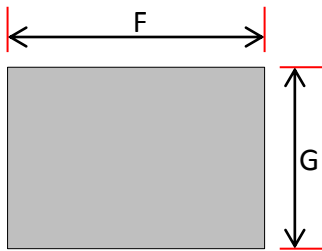
Model	GZRC 130AL-IV (Installer version)	
Impedance	3 Ohm	
Frequency response	50Hz – 26kHz	
Cut-off frequency	3500 Hz (12 dB)	
SPL 1W/1M	90 dB	
Power Watt RMS	100	
Power Watt Maximum	160	
Crossover	2- Way	
Crossover parts	MOX resistors / MET & Elko capacitors / PTC	
Crossover function	Adjustable Tweeterlevel	
	Midwoofer	Tweeter (GZRT 25T)
Cone (Dome)	Aluminum	Titanium
Cone color	Silver	Titanium
Surround	Rubber	Rubber
Dustcap	Aluminum	-
Basket / Frame material	Euro-Din steel GZ basket	Machined aluminum
Basket / Frame color	Black gloss powder coated	Black anodized
Terminal	Zinc plated solder terminal	Cable
Magnet	1 x Ferrit 80 x 15 mm (3.15" x 0.59")	1 x Neodymium
Voice coil	25 mm / 1" copper round wire	25 mm / 1" copper round wire
Voice coil former	Aluminum	Aluminum
RE	2.8 Ohm	3 Ohm
SPL	88 dB	92 dB
FS	77.8 Hz	1500 Hz
QMS	5.75	
QES	0.91	
QTS	0.79	
VAS	5.5L / 0.19 cu.ft	
MMS	8.7 Gr	
BL	3.6 N/A	
RMS	0.7 kg/s	
CMS	0.48 mm/N	
LE	0.12 mH	
Linear Excursion	+ / - 4 mm / 0.157"	
X Max	9 mm / 0.35"	
Frequency response	50 Hz – 4 kHz	3 – 26 kHz
Powerhandling	90 / 130 W	70 / 110 W
Outer diameter	130 mm / 5.25"	49.5 mm / 1.95"
Mounting diameter	117.5 mm / 4.63"	43.10 mm / 1.7"
Mounting depth	59 mm / 2.32"	10 mm / 0.39"



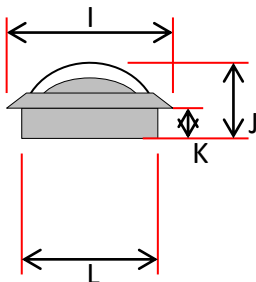
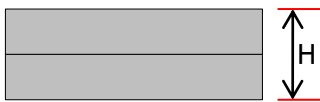
TECHNICAL SPECIFICATIONS



A	130 mm / 5.25"
B	117.5 mm / 4.63"
C	59 mm / 2.32"
D	85 mm / 3.35" (80 mm / 3.15")
E	4 mm / 0.157"



F	60 mm / 2.36"
G	48 mm / 1.89"
H	27 mm / 1.06"



I	49.5 mm / 1.95"
J	18.8 mm / 0.74"
K	10 mm / 0.39"
L	44 mm / 1.73"



CROSSOVER FUNCTIONS

TW-Level	Effect
- 2 dB / 0 dB / + 2 dB	3 stepped individual tweeter adjustment

