



Separated Tweeter and Midwoofer crossover

Tweeterhousing with black rubber finish

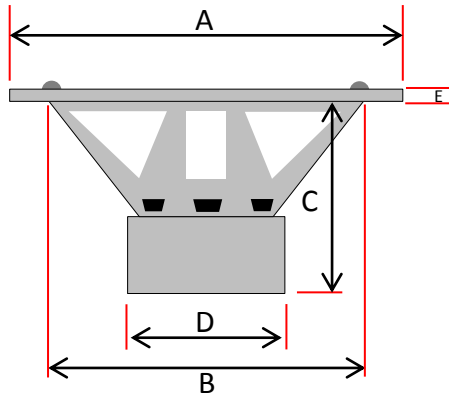


TECHNICAL SPECIFICATIONS

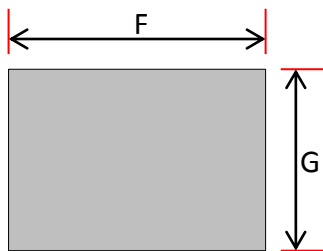
Model	GZRC 165AL-IV (Installer version)	
Impedance	3 Ohm	
Frequency response	35Hz – 26kHz	
Cut-off frequency	3500 Hz (12 dB)	
SPL 1W/1M	90 dB	
Power Watt RMS	120	
Power Watt Maximum	190	
Crossover	2- Way	
Crossover parts	I-core coils / MOX resistors / MET & Elko capacitors / PTC	
Crossover function	Adjustable Tweeterlevel	
	Midwoofer (GZRK 16AL)	Tweeter (GZRT 25T)
Cone (Dome)	Aluminum	Titanium
Cone color	Silver	Titanium
Surround	Flat shape rubber	Rubber
Dustcap	Aluminum	-
Basket / Frame material	Euro-Din steel GZ basket	Machined aluminum
Basket / Frame color	Black gloss powder coated	Black anodized
Terminal	Zinc plated solder terminal	Cable
Magnet	1 x Ferrit 90 x 15 mm (3.54" x 0.59")	1 x Neodymium
Voice coil	25 mm / 1" copper round wire	25 mm / 1" copper round wire
Voice coil former	Aluminum	Aluminum
RE	3 Ohm	3 Ohm
SPL	89 dB	92 dB
FS	60.1 Hz	1500 Hz
QMS	4.28	
QES	0.76	
QTS	0.65	
VAS	11.5 L / 0.41 cu.ft	
MMS	15.2 Gr	
BL	4.7 N/A	
RMS	1.3 kg/s	
CMS	0.46 mm/N	
LE	0.21 mH	
Linear Excursion	+ / - 5 mm / 0.197"	
X Max	10 mm / 0.39"	
Frequency response	35 Hz – 4 kHz	3 – 26 kHz
Powerhandling	110 / 160 W	70 / 110 W
Outer diameter	165 mm / 6.5"	49.5 mm / 1.95"
Mounting diameter	142.5 mm / 5.61"	43.10 mm / 1.7"
Mounting depth	68 mm / 2.68"	10 mm / 0.39"



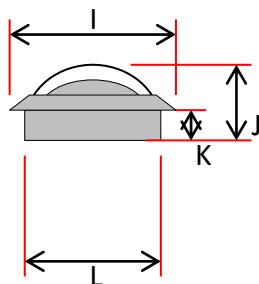
TECHNICAL SPECIFICATIONS



A	165 mm / 6.5"
B	142.5 mm / 5.61"
C	68 mm / 2.68"
D	97 mm / 3.82" (90 mm / 3.54")
E	4.3 mm / 0.169"



F	60 mm / 2.36"
G	48 mm / 1.89"
H	27 mm / 1.06"



I	49.5 mm / 1.95"
J	18.8 mm / 0.74"
K	10 mm / 0.39"
L	44 mm / 1.73"



CROSSOVER FUNCTIONS

TW-Level	Effect
- 2 dB / 0 dB / + 2 dB	3 stepped individual tweeter adjustment

