

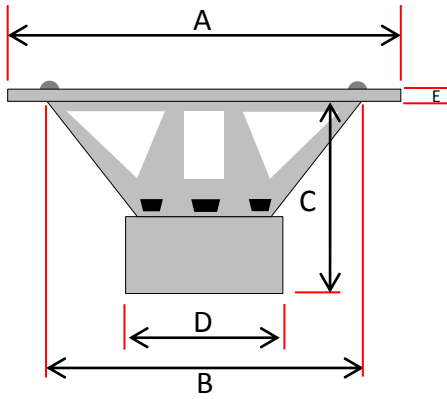


TECHNICAL SPECIFICATIONS

	GZRK 16AL
Cone (Dome)	Aluminum
Cone color	Silver
Surround	Flat-shape rubber
Dustcap	Aluminum
Basket / Frame material	Euro-Din steel GZ basket
Basket / Frame color	Black gloss powder coated
Terminal	Zinc plated solder terminal
Magnet	1 x Ferrit 90 x 15 mm (3.54" x 0.59")
Voice coil	25 mm / 1" copper round wire
Voice coil former	Aluminum
RE	3 Ohm
SPL	89 dB
FS	60.1 Hz
QMS	4.28
QES	0.76
QTS	0.65
VAS	11.5 L / 0.41 cu.ft
MMS	15.2 Gr
BL	4.7 N/A
RMS	1.3 kg/s
CMS	0.46 mm/N
LE	0.21 mH
Linear excursion	+ / - 5 mm / 0.197"
X max	10 mm / 0.39"
Frequency response	35 Hz – 4 kHz
Powerhandling	110 / 160 W
Outer diameter	165 mm / 6.5"
Mounting diameter	142.5 mm / 5.61"
Mounting depth	68 mm / 2.68"



TECHNICAL SPECIFICATIONS



A	165 mm / 6.5"
B	142.5 mm / 5.61"
C	68 mm / 2.68"
D	97 mm / 3.82" (90 mm / 3.54")
E	4.3 mm / 0.169"

