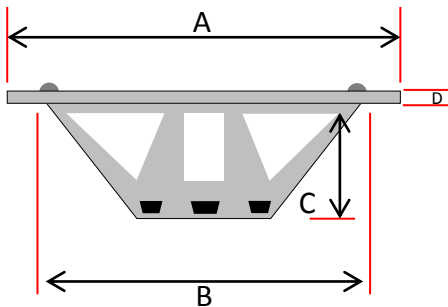




TECHNICAL SPECIFICATIONS

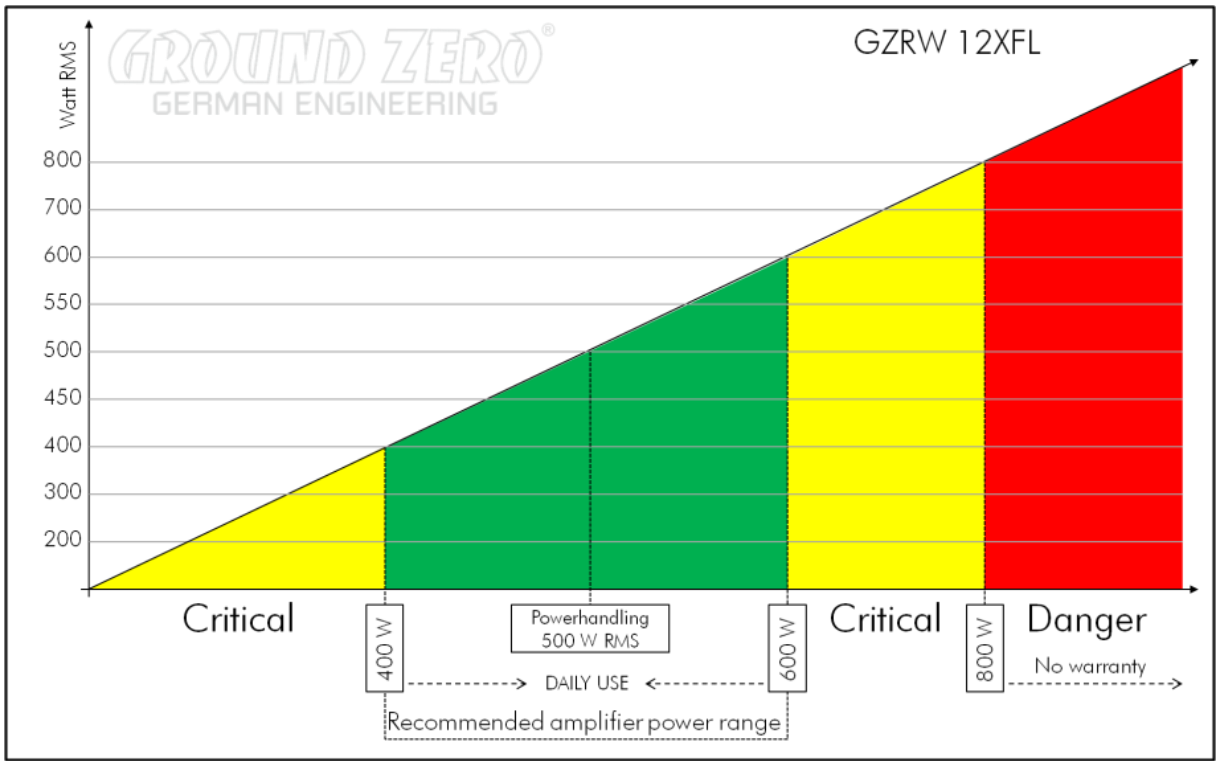
Product name	GZRW 12XFL	Gasket	ABS / Rubber
Product type	Subwoofer chassis	Terminal	Chrome push terminal
Diameter	330 mm / 12.99"	Power handling	500 WRMS
Mounting diameter	288 mm / 11.34"	Impedance	2 x 2 Ohm
Mounting depth	73 mm / 2.87"	Re	1.82 Ohm
Magnet dimension	145 x 60 x 24 mm	Res	22.5 Ohm
Total weight	4,8 KG	FS	28.4 Hz
Voice coil diameter	50 mm / 2" Round Wire	Qms	3.76
Voice coil winding height	25 mm / 0.98"	Qes	0.54
Voice coil wire material	EISV	Qts	0.47
Voice coil former material	Black Aluminum	Rms	9.7 kg/s
Top plate height	8 mm / 0.315"	Cms	0.15 mm/N
Linear excursion (one direction)	8,5 mm / 0.335"	Mms	205.6 gr
Effective Xmax	18 mm / 0.709"	BL	16.4 N/A
Top Plate and T-Yoke color	Black	SPL (1w/1m)	87 dB
Basket material	ABS	VAS	63.3 L / 2.24 cu.ft
Basket color	Black	Le	2.08 mH
Spider	1x Fiber mix	Recommended freq. response	25 – 120 Hz
Surround	Rubber	Recommended amplifier power	400 – 600 WRMS @ 4 Ohm / 1 Ohm
Cone	IMPP	Sound Quality	☺☺ (max. ☺☺☺☺☺☺)
Dustcap	IMPP Konvex with 3D Logo	SPL Competition	☺ (max. ☺☺☺☺☺☺)
Magnetcover	-	Low bass performance 20-50Hz	☺☺ (max. ☺☺☺☺☺☺)
		Mid bass performance 50-80Hz	☺☺☺ (max. ☺☺☺☺☺☺)



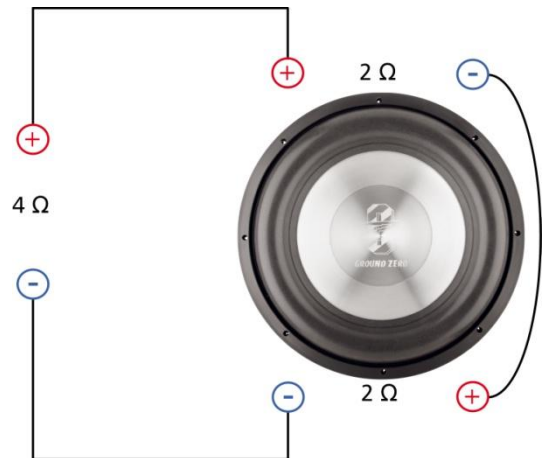
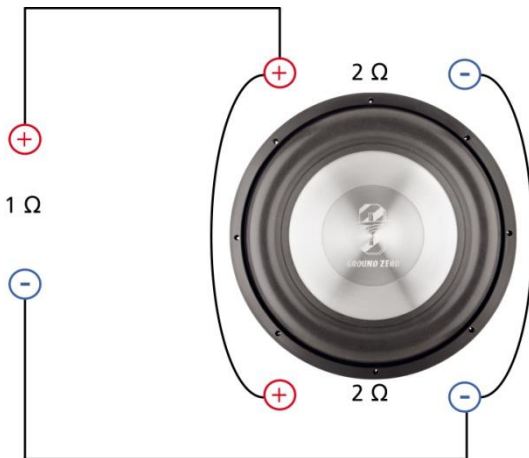
A	330 mm / 12.99"
B	288 mm / 11.34"
C	73 mm / 2.87"
D	12 mm / 0.47"

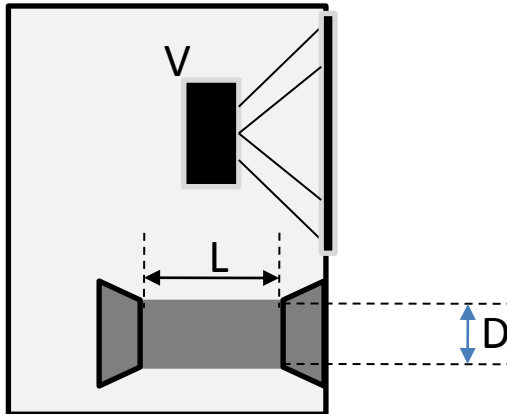


AMPLIFIER RECOMMENDATION



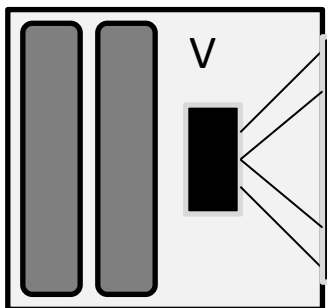
WIRING



BOX RECOMMENDATION

Small size vented box

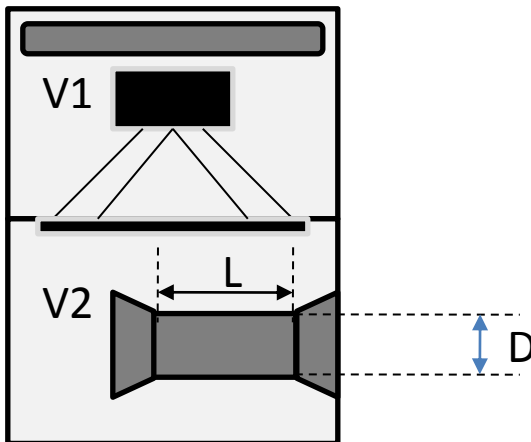
V: 45 L / 1.59 cu.ft
 D: 1x 80 mm / 3.15"
 L: *210 mm / 8.27"

No damping


Small size sealed box

18 – 40L / 0.64– 1.41 cu.ft
 Qtc 1.0 – 0.76

40 - 60% polyester wool


Medium size bandpassbox

V1: 20 L / 0.706 cu.ft
 V2: 35 L / 1.24 cu.ft
 D: 1x 100 mm / 4"
 L: *120 mm / 4.7"

20% polyester wool in V1
 No damping in V2

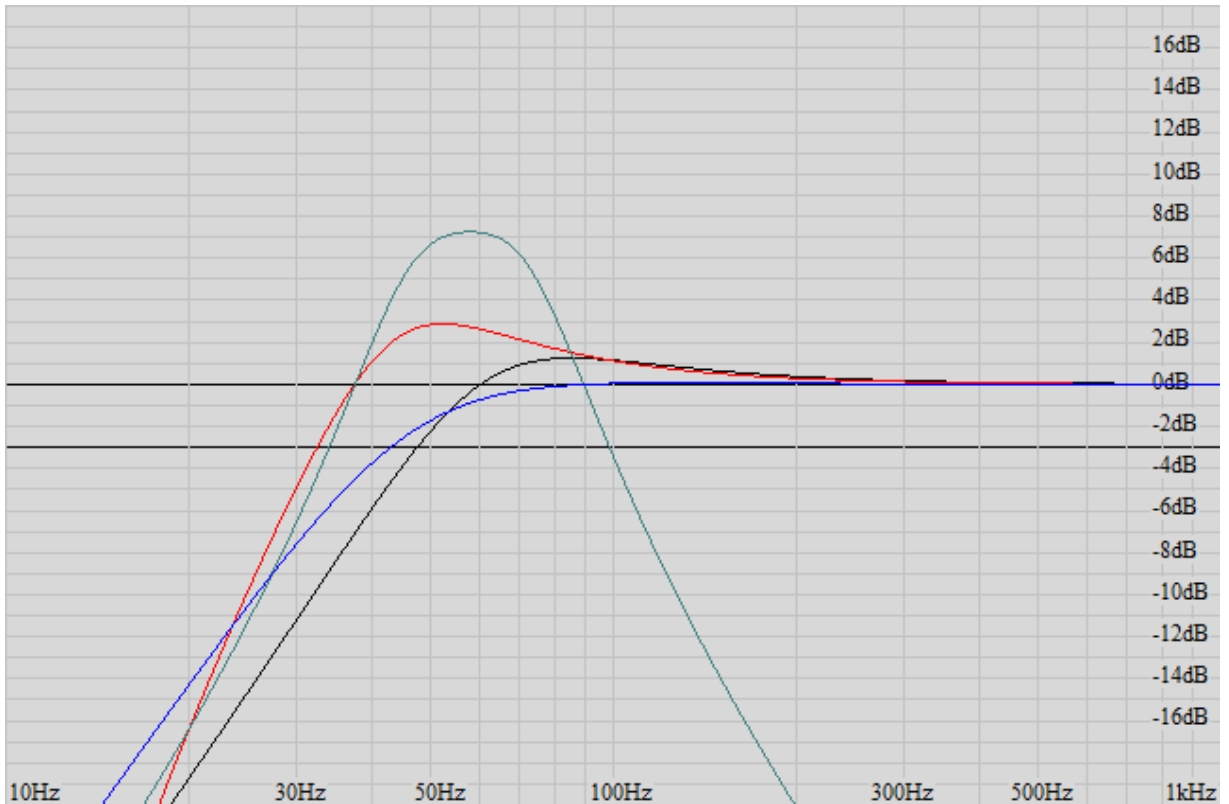
Die hier aufgeführten Gehäusevorschläge sind nur einige, der möglichen Varianten.

Bitte beachten Sie zudem, dass die finale Abstimmung, speziell die Port Längen je nach Fahrzeug und eigenem Geschmack variiert werden sollte.

Above-mentioned enclosure recommendations are just a few possible variations.

Please note that you should find the perfect tuning, especially port length, based on your car and own taste.



BOX RECOMMENDATION


Curve	Type	Volume	F3/ Qtc
Red	Vented	45 L / 1.59 cu.ft	32 Hz
Black	Sealed	18 L / 0.64 cu.ft	47 Hz / 1.0
Blue	Sealed	40 L / 1.41 cu.ft	43 Hz / 0.76
Green	Bandpass 4th order	V1: 20 L / 0.706 cu.ft V2: 35 L / 1.24 cu.ft	Centerfreq. 58 Hz

Die hier aufgeführten Gehäusevorschläge sind nur einige, der möglichen Varianten.
 Bitte beachten Sie zudem, dass die finale Abstimmung, speziell die Port Längen je nach Fahrzeug und eigenem Geschmack variiert werden sollte.
*Above-mentioned enclosure recommendations are just a few possible variations.
 Please note that you should find the perfect tuning, especially port length, based on your car and own taste.*

