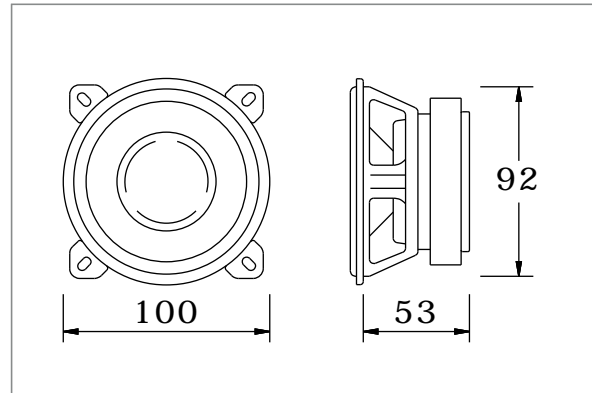


## HE 100 X - 100 mm mid-woofer



### TECHNICAL DATA

nominal impedance (Zn)	4 ohm	mechanical Q factor (Qms)	2.38
nominal power (Pn)	80 watt	electrical Q factor (Qes)	0.45
max power (Pm)	160 watt	total Q factor (Qts)	0.38
sensitivity (2.83 V/1 m)	90 dB	moving mass (Mms)	7 g
frequency range (BW)	80 ÷ 5000 Hz	compliance (Cms)	0.63 mm/N
resonance frequency (Fs)	75 Hz	equivalent volume (Vas)	2.7 litres
voice coil diameter	26 mm	force factor (BxL)	4.8 N/A
cone material	composite CSC	voice coil resistance (Re)	3.1 ohm
surround material	butyl rubber	voice coil inductance (Le)	0.5 mH
basket material	stamped steel	emission diameter (D)	84 mm
magnet material	ferrite	linear excursion (Xmax)	± 2 mm

### FEATURES

Combinando le caratteristiche di due strati di polipropilene con carichi differenziati ad uno strato intermedio smorzante, abbiamo raggiunto un livello di prestazioni del cono assolutamente senza precedenti, per risposta ai transitori, trasparenza e neutralità timbrica.

*By combining the characteristics of two differently filled polypropylene layers with a highly damped coupling layer, we obtained a cone performance which is absolutely outstanding, for transient response, transparency and tonal balance.*

