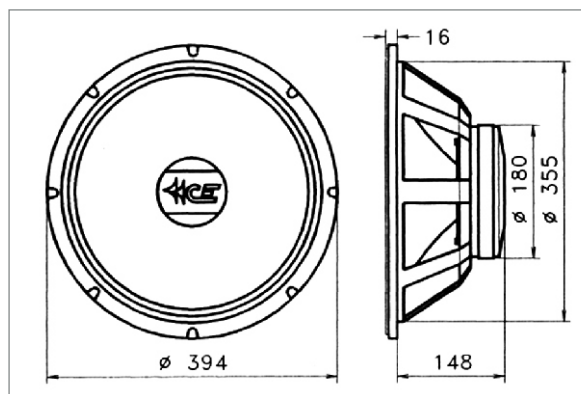


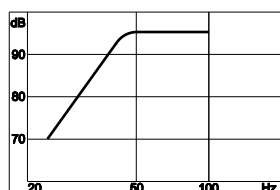
## HD 400 S - 394 mm subwoofer



### TECHNICAL DATA

nominal impedance (Zn)	4 ohm	mechanical Q factor (Qms)	10.1
nominal power (Pn)	400 watt	electrica Q factor (Qes)	0.37
sensitivity (2.83 V/m)	95 dB	total Q factor (Qts)	0.35
frequency range (BW)	20 ÷ 1000 Hz	moving mass (Mms)	112.4 g
resonance frequency (Fs)	35 Hz	compliance (Cms)	0.18 mm/N
voice coil diameter	76 mm	equivalent volume (Vas)	179 litres
cone material	paper	force factor (BxL)	16.4 N/A
voice coil resistance (Re)	3.9 ohm	emission diameter (D)	328 mm
voice coil induttance (Le)	1.2 mH	linear excursion (Xmax)	± 4.8 mm
		magnet size	180 x 20 mm

### SUGGESTED BOX



**BASS REFLEX**  
 internal volume: 90 litres  
 tube diameter (Ø): 134 mm  
 tube lenght (L): 80 mm

