

LIVE

Guy Bonneville

BLAM

DRIVEN BY PASSION

165.85

Woofer

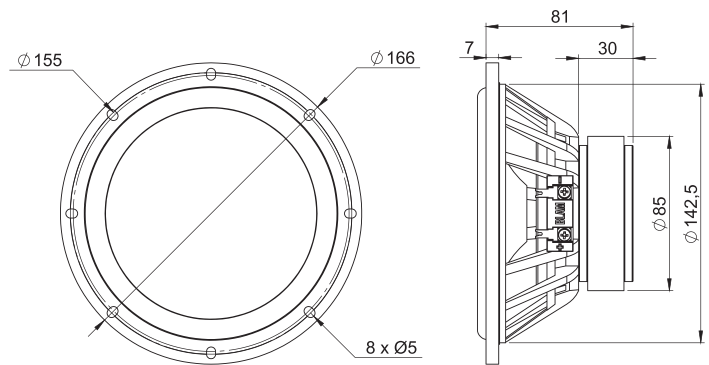
- Woofer 6-1/2 " (165 mm)
- Max power 200 W / Nom. power 100 W
- Frequency response 50 Hz - 7 KHz
- Sensibility 93 dB - Impedance 3 Ohms

Die cast and machined aluminium basket - Ultra rigid carbon fiber cone - IIR surround - Long life « conex » spider - 34 mm Voice Coil, fiber glass former - 85 mm x 20 mm Oversized Magnetic motor - Machined pole pieces - Gold-plated terminal.

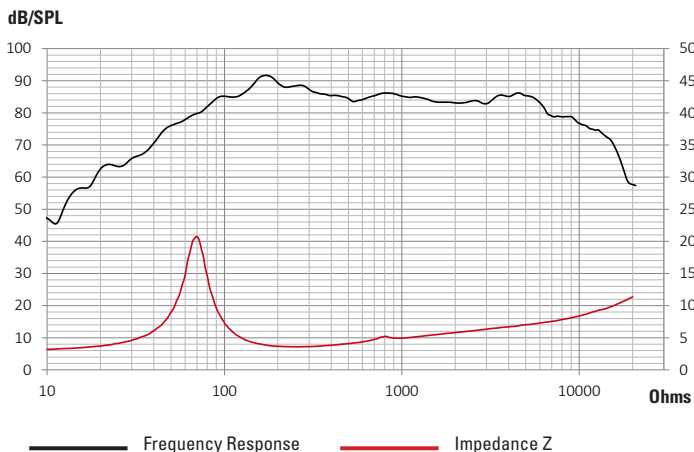


TECHNICAL SPECIFICATIONS

Component	Woofer	
Max power	200 W	
Nominal power	100 W	
Impedance	3 Ω	
Freq. Response	50 Hz - 7 KHz	
Sensitivity	93,17 dB/SPL	
Magnet	Ferrite	
Magnet size Ø x h	85 x 20 mm	3,35" x 0,79"
Total driver displacement	0,2 l	0,007 cf
Weight of one component	1,1 kg	2,43 lb
Voice coil Ø	34 mm	1,34"
Voice coil height	15 mm	0,59"
Cone	Carbone fiber	



FREQUENCY RESPONSE / IMPEDANCE



THIELE-SMALL PARAMETERS

effective Ø (d)	128 mm
Sd	128,68 cm ²
Xmax	5 mm
Re	3 Ω
Fs	69,08 Hz
Le	65,69 µH @ 1 kHz
Le	377,09 µH @10 kHz
Vas	8,72 L
Mms	14,15 g
Cms	0,000375 m/N
BL	5,64 Tm
Qts	0,49
Qes	0,58
Qms	3,41
Spl	93 dB

contact@blam-audio
www.facebook.com/blamaudio
www.blam-audio.fr