

# RS-X 08

## Speaker Specifications

Power	Pe	<b>250 / 375</b>	RMS/Nom
DC resistance	Rdc	<b>3,75</b>	Ω
Nominal impedance	ZN	<b>4</b>	Ω
Resonance frequency	fs	<b>43,02</b>	HZ
Voice coil diameter		<b>2</b>	inch
Xmax	+ -	<b>8</b>	mm

Mechanical Q factor	Qms	<b>6,09</b>
Electrical Q factor	Qes	<b>0,72</b>
Total Q factor	Qts	<b>0,64</b>

Moving mass	Mms	<b>99,39</b>	g
Effective piston area	Sd	<b>216</b>	cm <sup>2</sup>
Mechanical resistance	Rms	<b>4,79</b>	Kg/s
Compliance	Cms	<b>0,14</b>	mm/N
Force factor	BL	<b>11,35</b>	Tm
Equivalent air volume	Vas	<b>9,02</b>	dm <sup>3</sup>

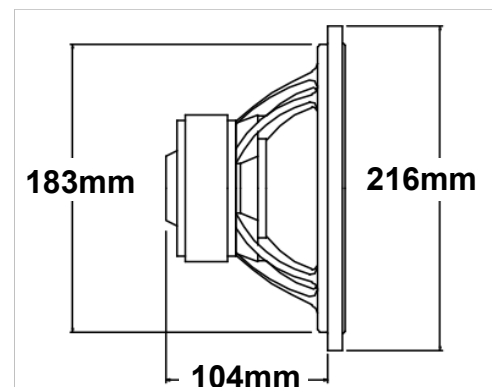
SPL 2,83V/1m **88,1** dB

Cone: Paper	Spider: Nomex
Surround: Foam	Coil former: Aluminum
Basket: Aluminum	Dust cap: PP



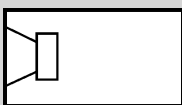
## Diameter

External diameter	<b>216 mm / 8,50 inch</b>
Installation diameter	<b>183 mm / 7,20 inch</b>
Installation depth	<b>104 mm / 4,09 inch</b>
Magnet diameter	<b>126 mm / 4,96 inch</b>



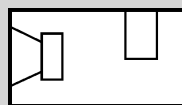
## Recommended Boxes (including Ports and Drivers)

### Sealed Box



V: **9 l**  
Ft: 55 Hz

### Vented Box



V: **16 l**  
Ft: 52 Hz  
d: 70 / 2,76 mm / inch  
l: 175 / 6,89 mm / inch