

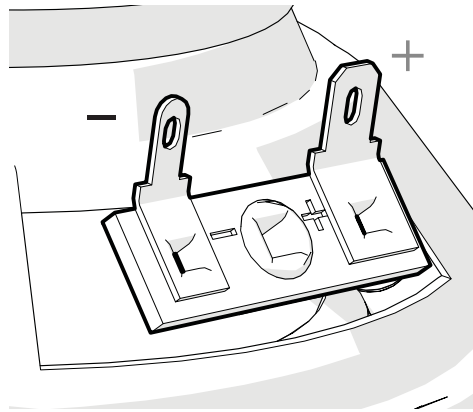


**Wiring**  
**Cableado**  
**Verkabelung**  
**Câblage**

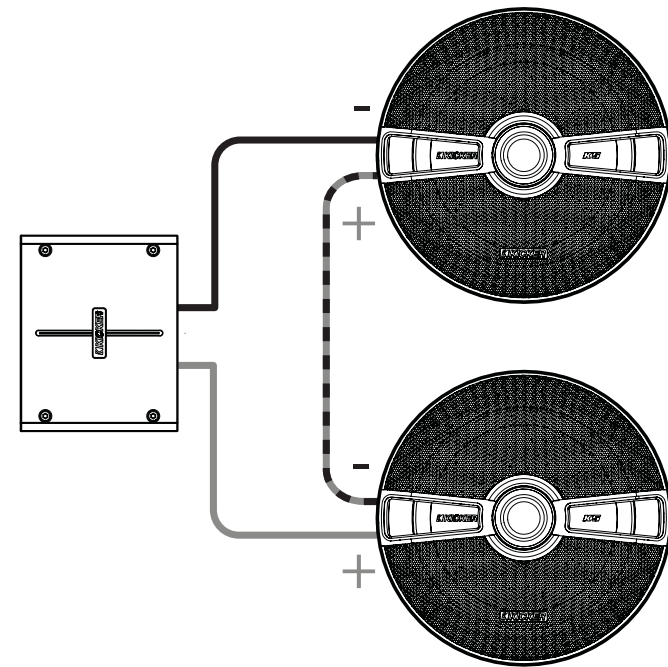
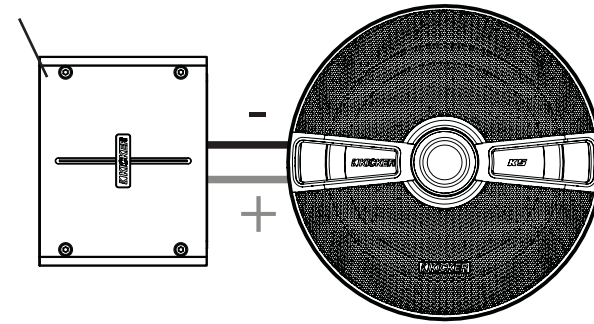
Connect wiring to terminals.  
 Conecte el cableado a las terminales.  
 Schließen Sie die Kabel an die Klemmen an.  
 Connectez le câblage aux bornes.

**Mounting**  
**Montaje**  
**Einbau**  
**Montage**

Secure speaker to desired location.  
 Asegure la bocina en la ubicación deseada.  
 Befestigen Sie den Lautsprecher am gewünschten Ort.  
 Fixez le haut-parleur à l'endroit désiré.



source unit / amplifier  
 unidad fuente / amplificador  
 Quelle / Verstärker  
 amplificateur / source

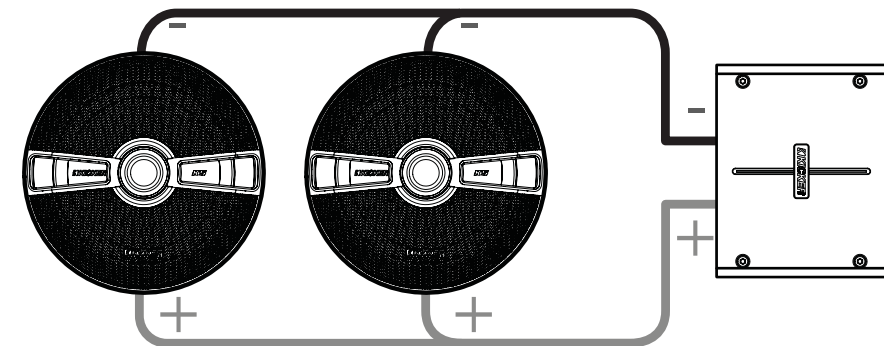


**Two KS Speakers wired in series to a single channel**  
**Total Impedance: 8 ohms**

**Dos KS Coax altavoces conectaron en la serie a un solo canal**  
**Total Impedancia: 8 ohms**

**Zwei KS Coax-Systeme an einen einzelnen Kanal anschließen**  
**Total Impedanz: 8 ohms**

**Deux haut-parleurs à une chaîne seule**  
**Total Impédance: 8 ohms**

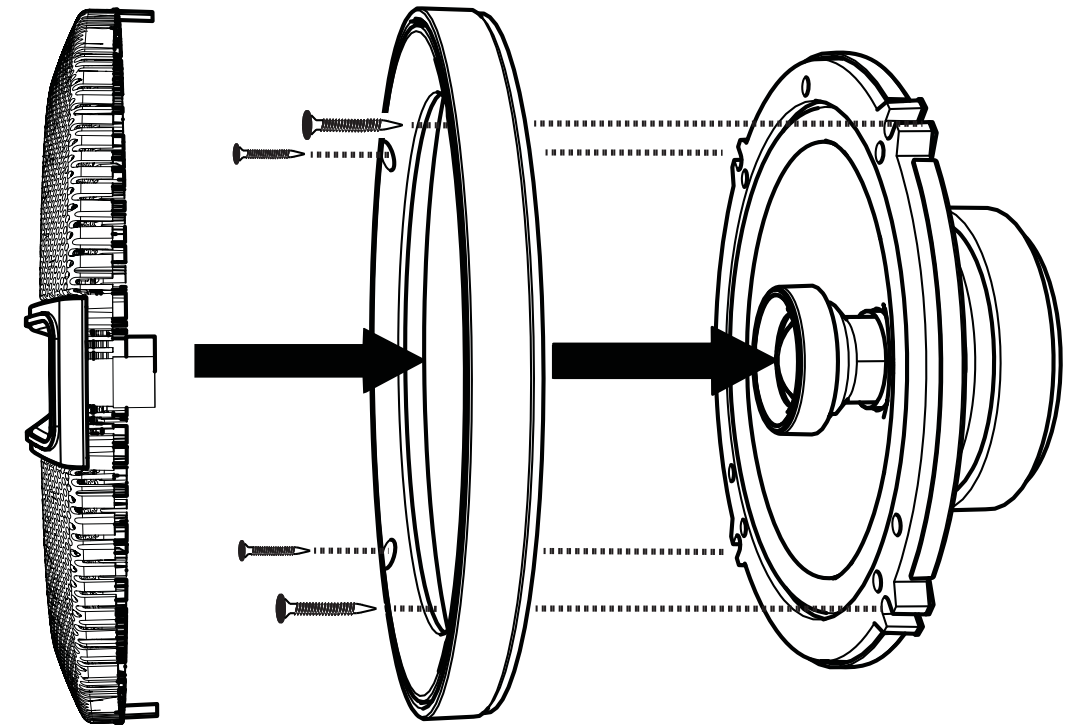


**Two KS Speakers wired in parallel to a single channel**  
**Total Impedance: 2 ohms**

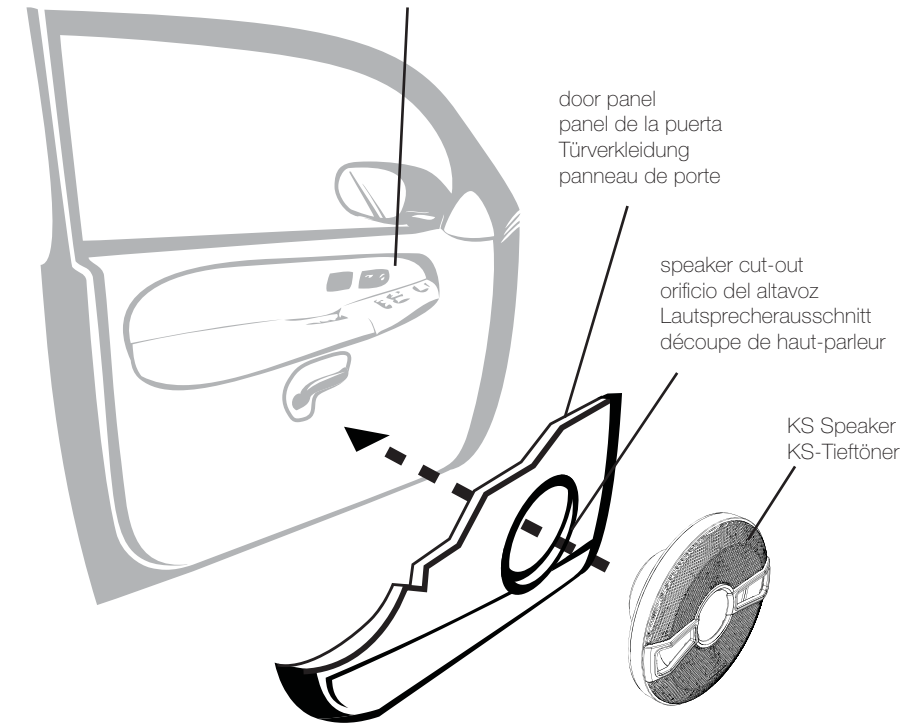
**Dos KS Coax altavoces conectaron en la paralelo a un solo canal**  
**Total Impedancia: 2 ohms**

**Zwei KS Coax-Systeme an einen einzelnen Kanal Parallele**  
**Total Impedanz: 2 ohms**

**Deux haut-parleurs à une parallèle seule**  
**Total Impédance: 2 ohms**



door  
 estructura de la puerta  
 Türkörper  
 corps de porte



door panel  
 panel de la puerta  
 Türverkleidung  
 panneau de porte

speaker cut-out  
 orificio del altavoz  
 Lautsprecherausschnitt  
 découpe de haut-parleur

KS Speaker  
 KS-Tieftöner

KICKER products are warranted against defects. Duration and terms of warranty depend on the laws in the country in which it was purchased. For details see your local KICKER Dealer or [www.kicker.com/warranty](http://www.kicker.com/warranty).

Our goods come with guarantees that cannot be excluded under the **Australian Consumer Law**. You are entitled to a replacement or refund for a major failure and for compensation for any other reasonably foreseeable loss or damage. You are also entitled to have the goods repaired or replaced if the goods fail to be of acceptable quality and the failure does not amount to a major failure.