



A-70DA-K



A-70DA-S

Experience the high-fidelity amplification created by the A-70DA-K/S Class D integrated amplifier featuring ESS SABRE<sup>32</sup> Ultra DAC, fully-balanced preamplifier circuitry, and balanced input. The USB-DAC featuring asynchronous transfer supports up to 384 kHz LPCM and 11.2 MHz DSD files, letting you enjoy extremely precise reproduction of Hi-Res Audio sources.

### DESIGN & BUILD

- › Pure Audio Grade High Efficiency Power MOSFET Amplifier (Class D Amplifier)
- › Fully-Balanced Preamplifier Circuitry
- › Separated Construction for Preamp and Power Amp
- › Source Direct Mode
- › Highly Acclaimed ESS SABRE<sup>32</sup> Ultra DAC
- › 384 kHz/32-bit USB-DAC for Asynchronous Transfer
- › Shielded Twin Transformer for Preamp and Power Amp
- › Trans-Stabilizer
- › Speaker A, B, A+B Selector
- › Machine-Cut Aluminium Rotary Knob
- › Aluminium Front/Side Panels
- › Auto Power Down
- › High-Grade AC Power Cord

- › Rigid Under Base
- › Aluminium Hair Line Finish Remote Controller

### CONNECTIONS

- › Exclusive Gold-Plated Speaker Terminals (Large Type)
- › Gold-Plated Analogue Audio Input (Phono MM/MC, Balanced, SACD/CD, LINE 1, LINE 2, NETWORK, USB, COAXIAL, POWER AMP DIRECT IN)
- › USB Input for Asynchronous Transmission
- › Digital Coaxial Input
- › Digital Optical Input
- › Audio Output (LINE 2, PHONES)
- › SR In/Out
- › AC Inlet (Large Type)

### SPECIFICATIONS

- › 90 W + 90 W (20 Hz-20 kHz, THD 0.5 %, 4 ohms)
- › 65 W + 65 W (20 Hz-20 kHz, THD 0.5 %, 8 ohms)
- › THD: 0.02 % (Rated Output -3 dB, 8 ohms, 1 kHz)
- › Guaranteed Speaker Impedance: 4-16 ohms (A or B), 8-32 ohms (A+B), 4-16 ohms (Bi-Wiring)
- › Frequency Response (Measured with DIRECT button switched on): SACD/CD, NETWORK, LINE1, LINE2 5 Hz-50 kHz, ±3 dB
- › RIAA Deviation: PHONO MM 20 Hz-20 kHz, ±0.5 dB, PHONO MC 20 Hz-20 kHz, ±0.5 dB
- › Signal-to-Noise Ratio (IHF, A Network, Short Circuited) SACD/CD: 101 dB, Phono: 89 dB (MM: 5 mV input)/74 dB (MC: 0.5 mV input), Power Amp Direct: 110 dB

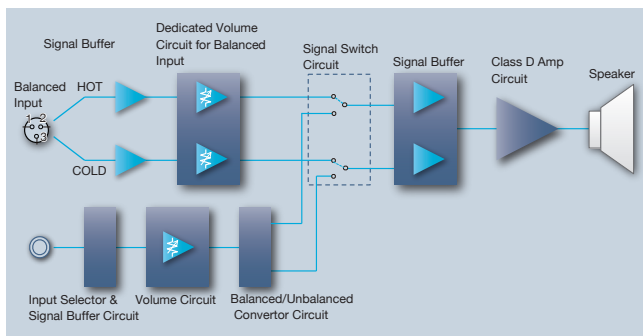
- › Channel Separation SACD/CD: 90 dB (100 Hz), 84 dB (1 kHz), 75 dB (10 kHz)  
Power Amp Direct: 95 dB (100 Hz), 95 dB (1 kHz), 80 dB (10 kHz)
- › Power Requirements: AC 220-230 V, 50 Hz
- › Power Consumption: 74 W
- › Power Consumption During Standby: 0.3 W
- › Dimensions (W x H x D): 435 x 141.5 x 361.5 mm
- › Weight: 17.2 kg



A-70DA-K/SYXES

### Fully-Balanced Preamp Circuitry with Near Perfect Transmission

With isolated left/right symmetrical design and fully-balanced circuitry, the preamplifier allows extremely pure signal input to the output stage where the Class D amplifier awaits. This enables a signal amplification fully utilizing the brisk and powerful drive of the Class D amplifier. Moreover, connect with a balanced output device such as Pioneer's N-70A network audio player or U-05 USB-DAC with headphone amplifier, and you are granted unprecedented high-resolution and high S/N reproduction with ultimately minimised transmission loss. Experience clear sound localisation and the rich expansion of the sound field, as vocals and the instrument's every tone spring to life with overwhelming presence.



### High-Fidelity Class D Amplifier

Pioneer has considerable advantage over other manufacturers with unrivalled experience in digital amplifiers. The Class D amplifier allows flexible circuit layout and patterning to realise optimal design within the constraints of amplifier construction. With multiple original parts supporting effective operation, the component fully brings out the best from the Class D amplifier, reproducing refreshing, pure sound with subtle details which could not be thoroughly expressed by analogue amplifiers.

### Analogue Balanced Input (XLR)

Highly Renowned NEUTRIK terminals are used for analogue balance input (XLR3), achieving high-resolution sound by quality signal transmission to the pre-amplifier with fully-balanced circuitry design. The "hot" function can be switched between pin 2 and 3.

### Twin Transformers in Shield Cases

Twin transformers—for the power amp and the pre amp—help keep the noise in the small signal area from transferring to the primary side of the power amp block, where it can significantly affect sound quality. The transformers are shielded in separate blocks with infill to minimise leakage flux from the transformer.

### ESS SABRE<sup>32</sup> Ultra DAC

High-performance 8ch ESS SABRE<sup>32</sup> Ultra DAC is adopted on the A-70DA-K/-S. It features low noise and high S/N ratio that enable 4ch parallel drive for each channel at maximum 384 kHz. The result is clear and open, yet solid sound with superior audio quality.

### 384 kHz/32-bit USB-DAC for Asynchronous Transfer

The integrated amplifier allows direct USB connection with a PC. What's more, the signal transfer is done with USB asynchronous transfer mode, which controls the transfer process by using its high-accuracy clock, ensuring high-quality sound reproduction. This eliminates jitter, reproducing master quality sound with extremely precise audio signals. In addition to 11.2 MHz DSD, the unit supports LPCM with sampling frequency of 44.1, 48, 88.2, 96, 176.4, 192, 352.8, and 384 kHz, and quantization bit rate of 16, 24, and 32 bits.

### Aluminium Panels and Knobs

Aluminium panels are used on the front and the sides, with extra-thick 3.5 mm front panel and 1.8 mm side panels providing rigidity for a stable performance. The machine-cut aluminium volume knob offers a solid, high-grade feel and style. The Input Selector, Balance, and Bass/Treble knobs are also made of aluminium.

