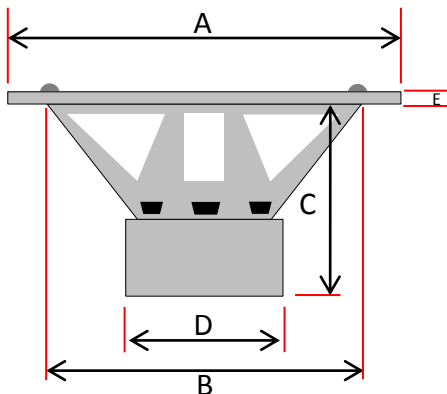




TECHNICAL SPECIFICATIONS

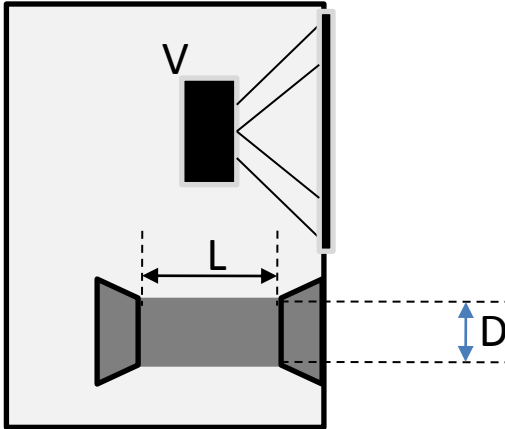
Product name	GZHW 15XSPL-D1	Gasket	Foam
Product type	Subwoofer chassis	Terminal	Black chrome push terminal
Diameter	388 mm / 15.28"	Power handling	3500 W SPL Power
Mounting diameter	356 mm / 14"	Impedance	2 x 1 Ohm
Mounting depth	208 mm / 8.19"	Re	2 Ohm
Magnet dimension	3 x 190 x 20 mm	Res	21.84 Ohm
Total weight	15.25 KG	FS	36.8 Hz
Voice coil diameter	75 mm / 3" Round Wire	Qms	5.793
Voice coil winding height	40 mm / 1.57"	Qes	0.526
Voice coil wire material	Copper	Qts	0.482
Voice coil former material	Aluminum	Rms	18.286 kg/s
Top plate height	12 mm / 0.47"	Cms	0.041 mm/N
Linear excursion (one direction)	14 mm / 0.55"	Mms	454.19 gr
Effective Xmax	40 mm / 1.57"	BL	19.985 N/A
Top Plate and T-Yoke color	Black machined	SPL (1w/1m)	88 dB
Basket material	Aluminum Cast	VAS	39.68 L / 1.4 cu.ft
Basket color	Yellow	Le	2.58 mH
Spider	2x Progressive Polycot	Recommended freq. response	35 – 100 Hz
Surround	High Roll Sandwich Foam	Recommended amplifier power	1800 – 3500 WRMS @20hm (0,5 Ohm)
Cone	Reinforced paper	Sound Quality	⊙⊙⊙ (max. ⊙⊙⊙⊙⊙⊙)
Dustcap	IMPP konvex / with 3D Logo	SPL Competition	⊙⊙⊙⊙ (max. ⊙⊙⊙⊙⊙⊙)
Magnetcover	PVC	Low bass performance 20-50Hz	⊙⊙⊙⊙⊙ (max. ⊙⊙⊙⊙⊙⊙)
		Mid bass performance 50-80Hz	⊙⊙⊙⊙ (max. ⊙⊙⊙⊙⊙⊙)



A	388 mm / 15.28"
B	356 mm / 14"
C	208 mm / 8.19"
D	195 mm / 7.677"
E	9.5 mm / 0.374"



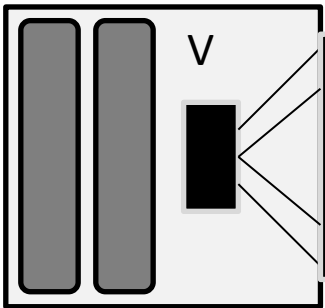
BOX RECOMMENDATION



Medium size vented box

V: 100 L / 3.531cu.ft
D: 1x 160 mm / 6"
L: *300 mm / 12"

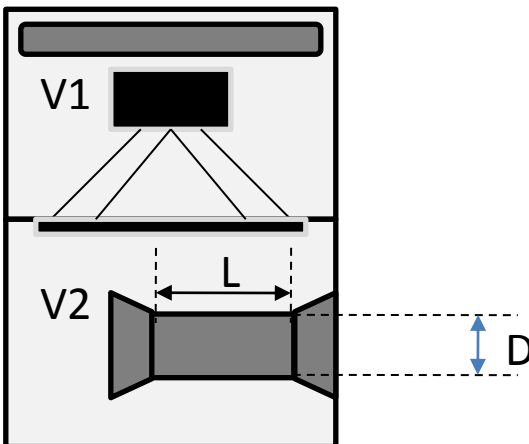
No damping



Medium size sealed box

35 – 70 L / 1.24 – 2.47 cu.ft
Qtc 0.7 – 0.6

40 - 60% polyester wool



Medium size bandpassbox

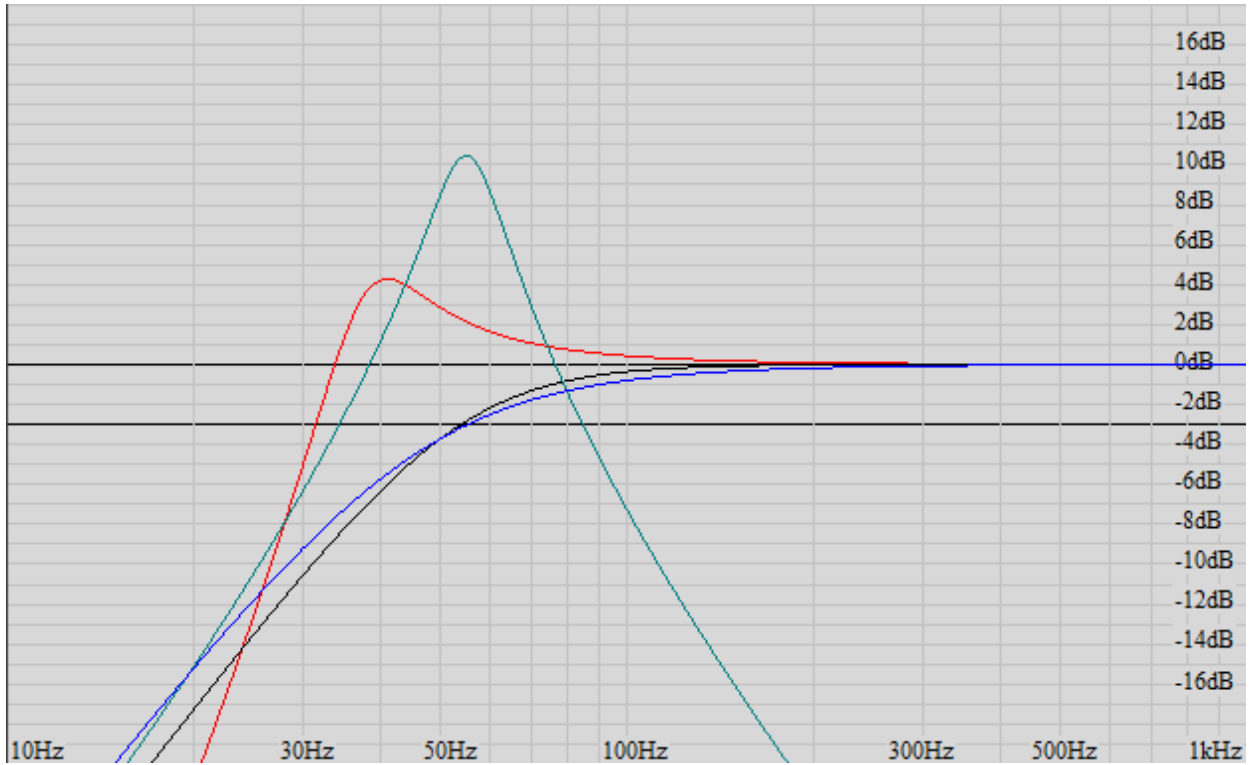
V1: 40 L / 1.41 cu.ft
V2: 60 L / 2.12 cu.ft
D: 1 x 160 mm / 6"
L: *220 mm / 8.66"

20% polyester wool in V1
No damping in V2

Die hier aufgeführten Gehäusevorschläge sind nur einige, der möglichen Varianten.
Bitte beachten Sie zudem, dass die finale Abstimmung, speziell die Port Längen je nach Fahrzeug und eigenem Geschmack variiert werden sollte.
*Above-mentioned enclosure recommendations are just a few possible variations.
Please note that you should find the perfect tuning, especially port length, based on your car and own taste.*



BOX RECOMMENDATION



Curve	Type	Volume	F3/ Qtc
Red	Vented	100 L / 3.531 cu.ft	31 Hz
Black	Sealed	35 L / 1.24 cu.ft	54 Hz / 0.7
Blue	Sealed	70 L / 2.47 cu.ft	55 Hz / 0.6
Green	Bandpass 4th order	V1: 40 L / 1.41 cu.ft V2: 60 L / 2.47 cu.ft	Centerfreq. 54 Hz

Die hier aufgeführten Gehäusevorschläge sind nur einige, der möglichen Varianten.
 Bitte beachten Sie zudem, dass die finale Abstimmung, speziell die Port Längen je nach Fahrzeug und eigenem Geschmack variiert werden sollte.
*Above-mentioned enclosure recommendations are just a few possible variations.
 Please note that you should find the perfect tuning, especially port length, based on your car and own taste.*

