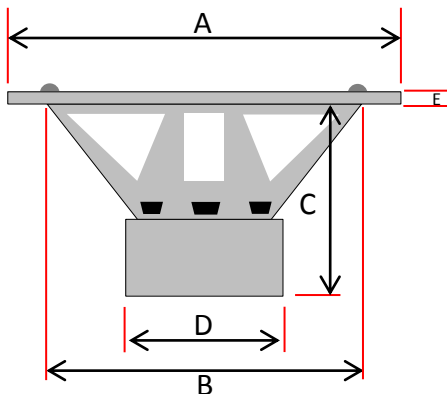




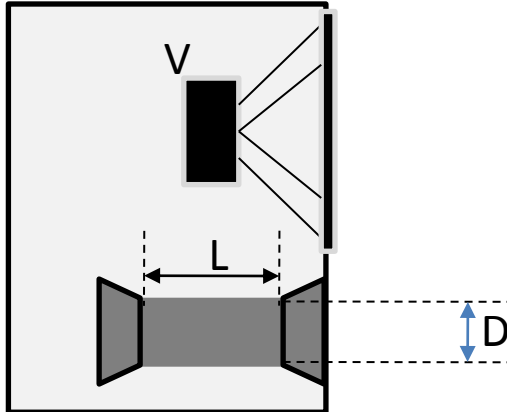
## TECHNICAL SPECIFICATIONS

Product name	GZRW 38XSPL-D2	Gasket	Foam
Product type	Subwoofer chassis	Terminal	Chrome push terminal
Diameter	390 mm / 15.35"	Power handling	1800 W SPL Power
Mounting diameter	353 mm / 13.90"	Impedance	2 x 2 Ohm
Mounting depth	184mm / 7.24"	Re	4 Ohm
Magnet dimension	2 x 180 x 20 mm	Res	96.2 Ohm
Total weight	10 KG	FS	33.5 Hz
Voice coil diameter	75 mm / 3 " Round Wire	Qms	6.92
Voice coil winding height	35 mm / 1.38"	Qes	0.69
Voice coil wire material	Copper	Qts	0.62
Voice coil former material	Aluminum	Rms	9.5 kg/s
Top plate height	10 mm / 0.3937"	Cms	0.07 mm/N
Linear excursion (one direction)	12,5 mm / 0.49 "	Mms	313.5 gr
Effective Xmax	40 mm / 1.57"	BL	19.6 N/A
Top Plate and T-Yoke color	Black	SPL	88 dB
Basket material	Steel	VAS	65.3 L / 2.3 cu.ft
Basket color	Yellow	Le	2.63 mH
Spider	2x Polycot	Recommended freq. response	30 – 100 Hz
Surround	U Shape foam	Recommended amplifier power	1000–1800 WRMS @ 4 Ohm (1 Ohm)
Cone	Reinforced paper	Sound Quality	☺☺ (max. ☺☺☺☺☺☺)
Dustcap	Convex IMPP with 3D Logo	SPL Competition	☺☺☺☺ (max. ☺☺☺☺☺☺)
Magnetcover	Rubberboot	Low bass performance 20-50Hz	☺☺☺☺ (max. ☺☺☺☺☺☺)
		Mid bass performance 50-80Hz	☺☺☺ (max. ☺☺☺☺☺☺)



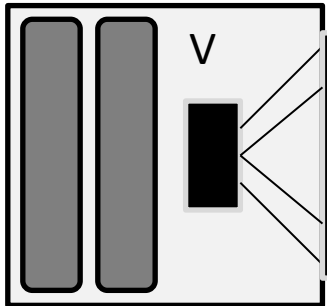
A	390 mm / 15.35"
B	353 mm / 13.90"
C	184 mm / 7.24"
D	181 mm / 7.13" incl. Rubberboot 187mm / 7.36"
E	17 mm / 0.67"



**BOX RECOMMENDATION**

**Big size vented box**

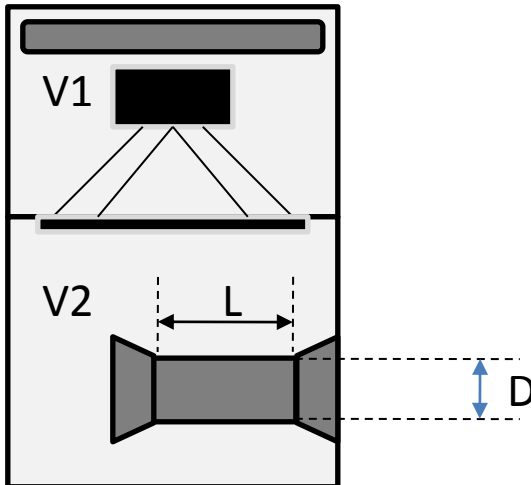
V: 120 L / 4.24 cu.ft  
 D: 160 mm / 1 x 6"  
 L: \*220 mm / 8.66 "

No damping


**Medium size sealed box**

60 – 100 L / 2.12 – 3.53 cu.ft  
 Qtc. 0.80- 0.90

40 - 60% polyester wool


**Medium size bandpassbox**

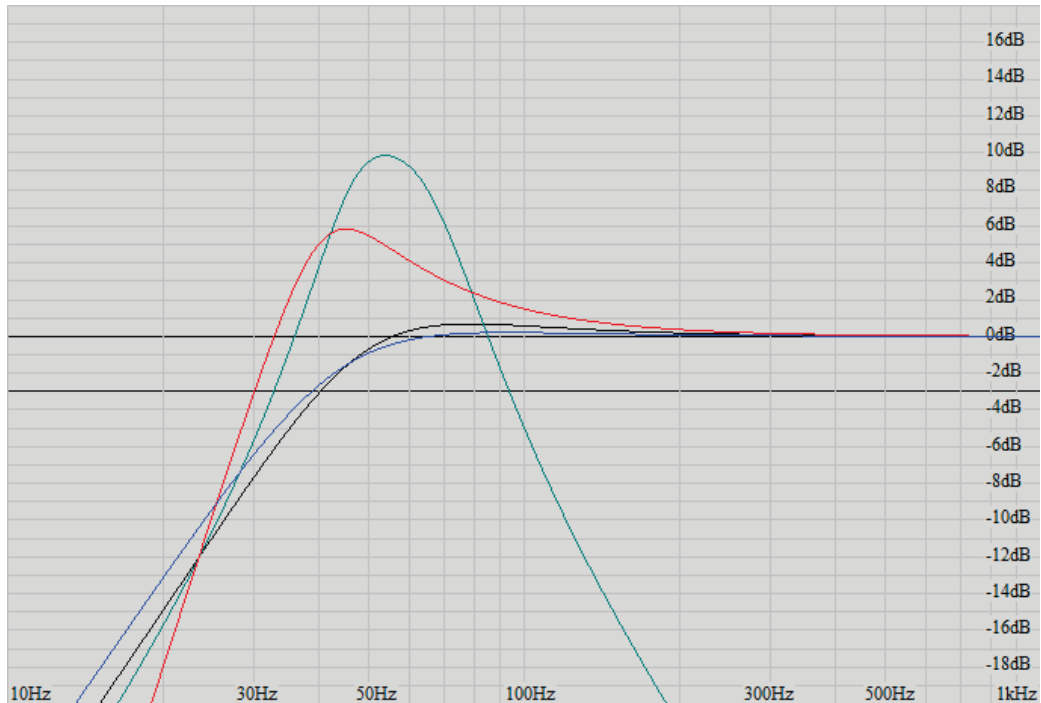
V1: 36 L / 1.27 cu.ft  
 V2: 75 L / 2.65 cu.ft  
 D: 160 mm / 6"  
 L: \*140 mm / 5.51"

20% polyester wool in V1  
 No damping in V2

Die hier aufgeführten Gehäusevorschläge sind nur einige, der möglichen Varianten.  
 Bitte beachten Sie zudem, dass die finale Abstimmung, speziell die Port Längen je nach Fahrzeug und eigenem Geschmack variiert werden sollte.  
 Above-mentioned enclosure recommendations are just a few possible variations.  
 Please note that you should find the perfect tuning, especially port length, based on your car and own taste.



## BOX RECOMMENDATION



Curve	Type	Volume	F3/ Qtc
Red	Vented	120 L / 4.24 cu.ft	30 Hz
Black	Sealed	60 L / 2.12 cu.ft	40 Hz / 0.90
Blue	Sealed	100 L / 3.53 cu.ft	39 Hz / 0.80
Green	Bandpass 4th order	V1: 36 L / 1.27 cu.ft V2: 75 L / 2.65 cu.ft	Centerfreq. 55 Hz

Die hier aufgeführten Gehäusevorschläge sind nur einige, der möglichen Varianten.  
 Bitte beachten Sie zudem, dass die finale Abstimmung, speziell die Port Längen je nach Fahrzeug und eigenem Geschmack variiert werden sollte.  
*Above-mentioned enclosure recommendations are just a few possible variations.  
 Please note that you should find the perfect tuning, especially port length, based on your car and own taste.*

