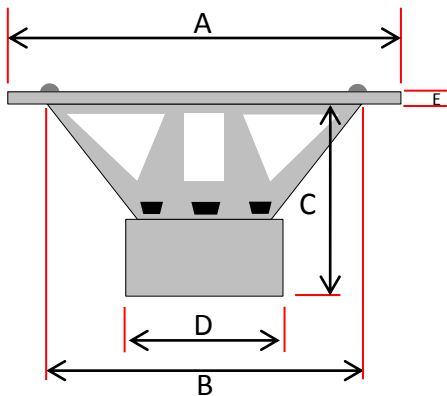




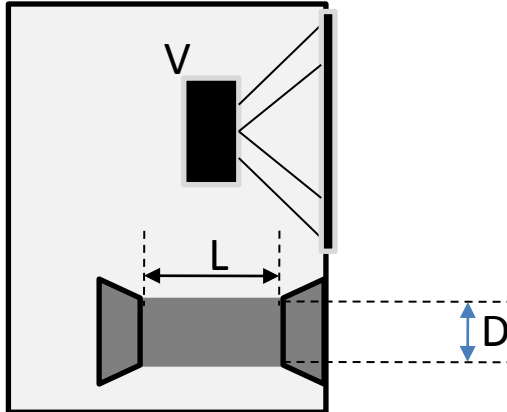
## TECHNICAL SPECIFICATIONS

Product name	GZPW 15Limited	Gasket	Steeling
Product type	Subwoofer chassis	Terminal	Black Chrome Push Terminal
H.Art .nr.	125077	Power handling	5000 W RMS
Diameter	392 mm / 15.43"	Impedance	2 x 1 Ohm
Mounting diameter	358 mm / 14.09"	Re	2,3 Ohm
Mounting depth	285 mm / 11.22"	Res	190 Ohm
Magnet dimension	3 x 250 x 25 mm	FS	35,6 Hz
Total weight	35,8 KG	Qms	4.64
Voice coil diameter	100 mm / 4" Flat Wire	Qes	0.43
Voice coil winding height	60 mm / 2.36"	Qts	0.39
Voice coil wire material	CCA	Rms	17.5 kg/s
Voice coil former material	Black aluminum	Cms	0.05 mm/N
Top plate height	35 mm / 1.38"	Mms	363,9 gr
Linear excursion (one direction)	12,5 mm / 0.492"	BL	20.9 N/A
Effective Xmax	60 mm / 2.36"	SPL	95 dB
Top Plate and T-Yoke color	Black machined	VAS	50.4 L / 1.78 cu.ft
Basket material	Aluminum Cast	Le	1.02 mH
Basket color	Yellow	Recommended freq. response	20 – 100 Hz
Spider	4 Progressive Connex	Recommended amplifier power	4 – 6 kW RMS @ 2 Ohm (0,5 Ohm)
Surround	High Roll Sandwich Foam	Sound Quality	⊙⊙⊙⊙ (max. ⊙⊙⊙⊙⊙⊙)
Cone	Reinforced paper	SPL Competition	⊙⊙⊙⊙⊙ (max. ⊙⊙⊙⊙⊙⊙)
Dustcap	IMPP konvex / with 3D Logo	Low bass performance 20-50Hz	⊙⊙⊙⊙⊙ (max. ⊙⊙⊙⊙⊙⊙)
Magnetcover	PVC	Mid bass performance 50-80Hz	⊙⊙⊙⊙⊙ (max. ⊙⊙⊙⊙⊙⊙)



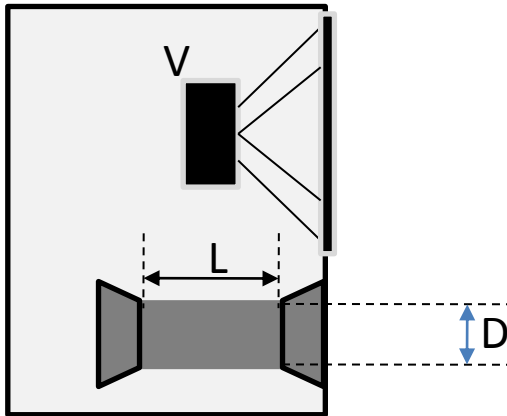
A	392 mm / 15.43
B	358 mm / 14.09"
C	285 mm / 11.22"
D	250 mm / 9.84"
E	11 mm / 0.43"



**BOX RECOMMENDATION**

**Medium size vented box**

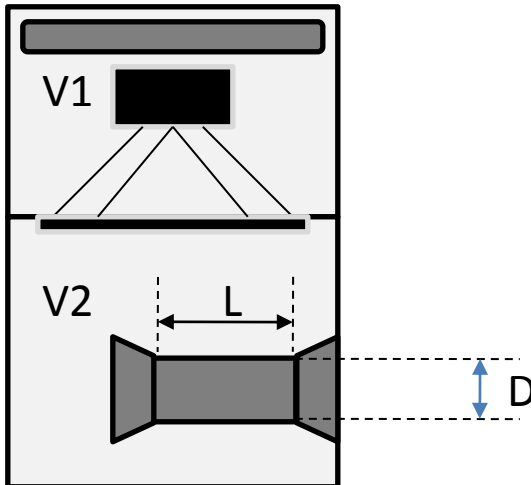
V: 100 L / 3.53 cu.ft  
 D: 1x 160 mm / 6"  
 L: \*253 mm / 9.96"

No damping


**Big size vented box**

V: 150 L / 5.3 cu.ft  
 D: 1x 200 mm / 8"  
 L: \*320 mm / 12.6"

No damping


**Medium size bandpassbox**

V1: 40 L / 1.41 cu.ft  
 V2: 70 L / 2.47 cu.ft  
 D: 1x 200 mm / 8"  
 L: \*270 mm / 10.63"

20% polyester wool in V1  
 No damping in V2

Die hier aufgeführten Gehäusevorschläge sind nur einige, der möglichen Varianten.

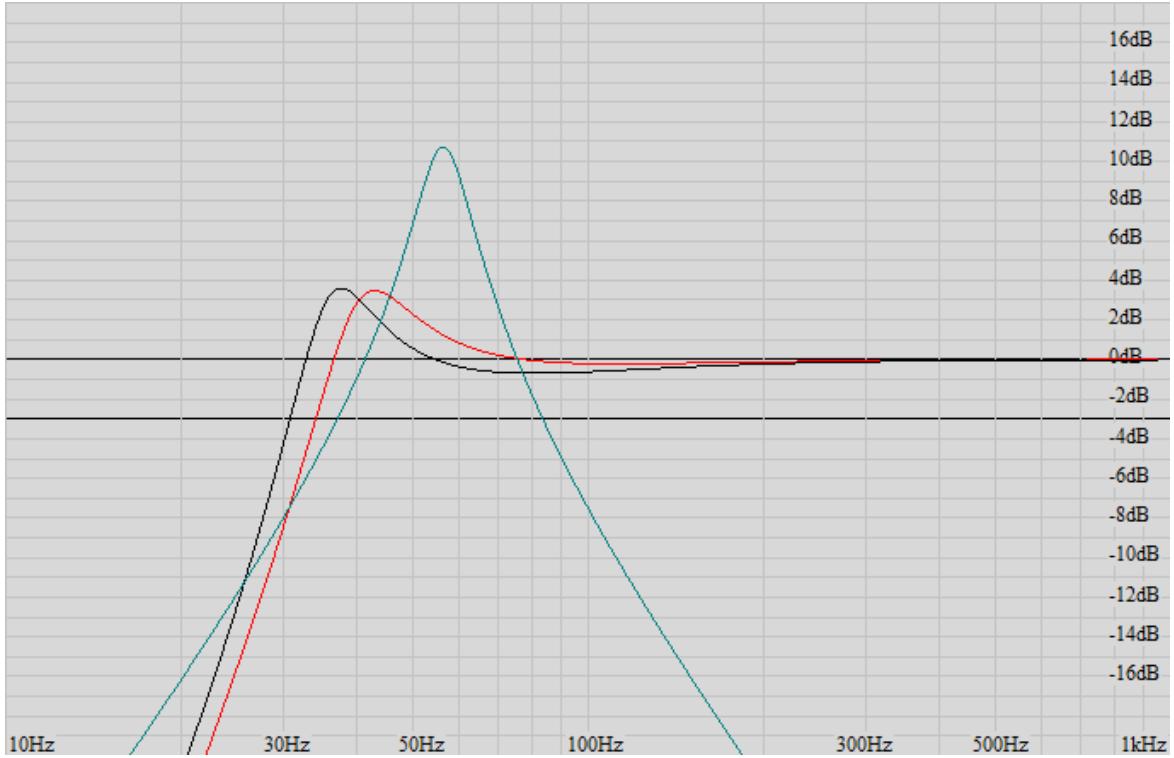
Bitte beachten Sie zudem, dass die finale Abstimmung, speziell die Port Längen je nach Fahrzeug und eigenem Geschmack variiert werden sollte.

*Above-mentioned enclosure recommendations are just a few possible variations.*

*Please note that you should find the perfect tuning, especially port length, based on your car and own taste.*



BOX RECOMMENDATION



Curve	Type	Volume	F3/ Qtc
Red	Medium Vented	100 L / 3.53 cu.ft	34 Hz
Black	Big Vented	150 L / 5.3 cu.ft	30 Hz
Green	Bandpass 4th order	V1: 40 L / 1.41 cu.ft V2: 70 L / 2.47 cu.ft	Centerfreq. 56 Hz

Die hier aufgeführten Gehäusevorschläge sind nur einige, der möglichen Varianten.  
 Bitte beachten Sie zudem, dass die finale Abstimmung, speziell die Port Längen je nach Fahrzeug und eigenem Geschmack variiert werden sollte.  
*Above-mentioned enclosure recommendations are just a few possible variations.  
 Please note that you should find the perfect tuning, especially port length, based on your car and own taste.*

